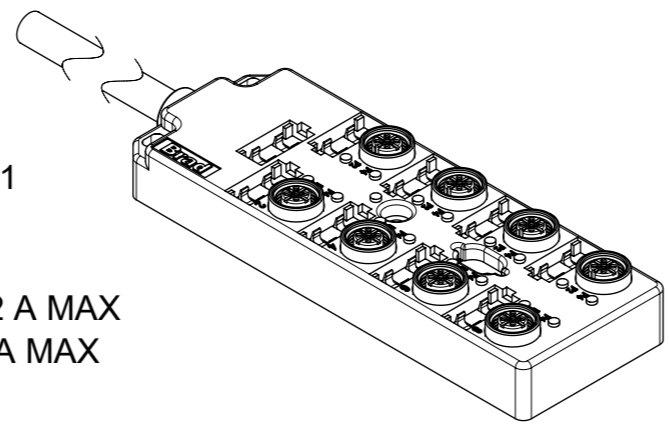
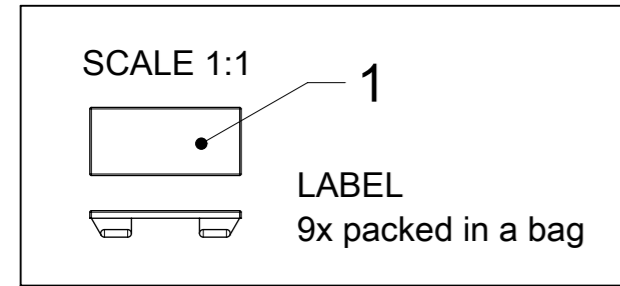
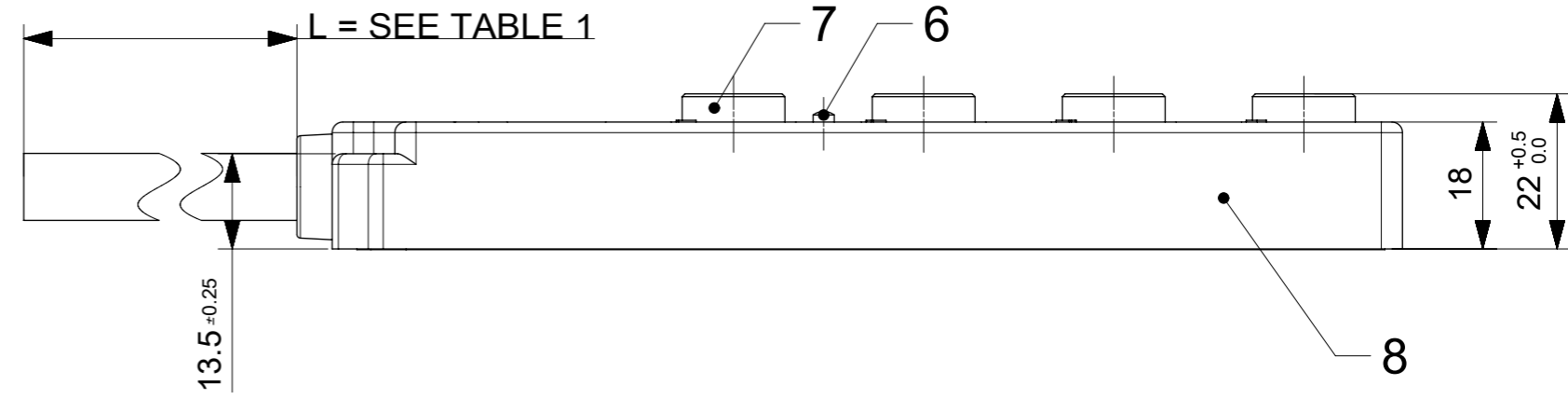
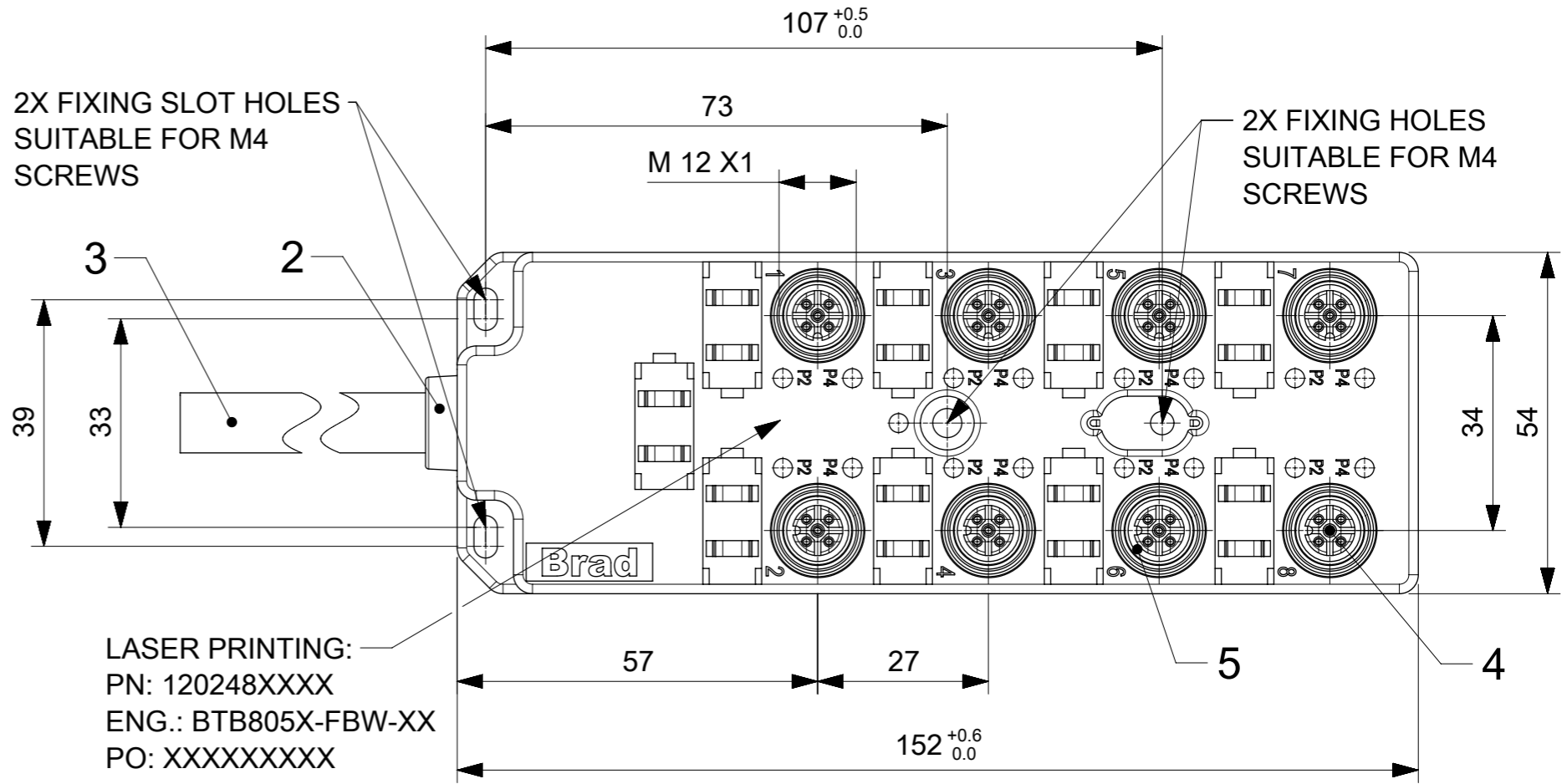


TABLE 1

MOLEX P/N	ENG. NO.	CABLE LENGTH (mm)	LED
1202480108	BTB8050-FBW-02	2000	NO
1202480046	BTB8050-FBW-05	5000	NO
1202480047	BTB8050-FBW-10	10000	NO
1202480048	BTB8050-FBW-15	15000	NO
1202480049	BTB805P-FBW-05	5000	YES
1202480050	BTB805P-FBW-10	10000	YES
1202480051	BTB805P-FBW-15	15000	YES
1202480052	BTB805N-FBW-05	5000	YES
1202480053	BTB805N-FBW-10	10000	YES
1202480054	BTB805N-FBW-15	15000	YES

TABLE 2 BILL OF MATERIAL

ITEM	DESCRIPTION	MATERIAL	FINISH
1	LABEL	ABS	WHITE
2	CABLE PLATE	PBT	BLACK
3	CABLE	TPU BASED	BLACK
4	CONTACT	BRONZE	GOLD OVER NICKEL
5	O-RING	FPM	RED
6	LED	NON LED = PA	BLACK
		WITH LED = PA	TRANSPARENT
7	SHELL	BRASS	NICKEL PLATED
8	HOUSING	PBT	BLACK



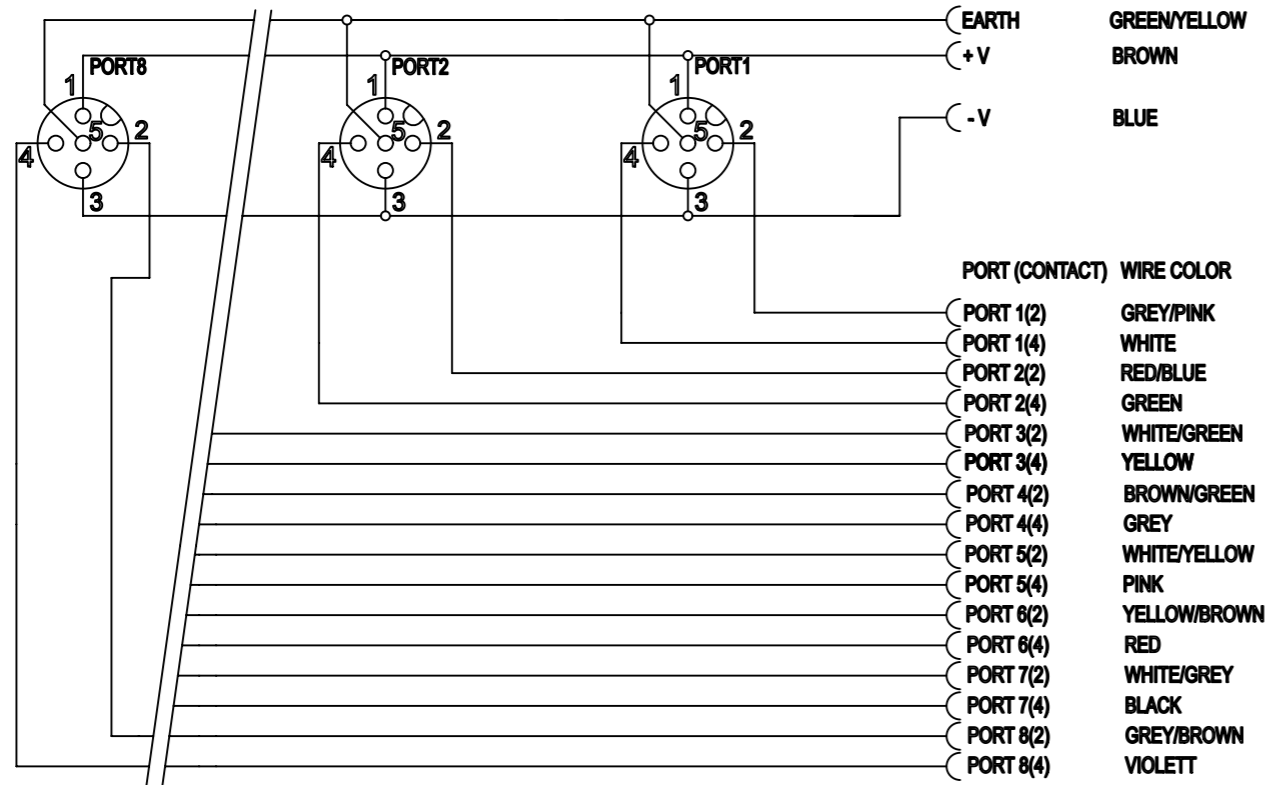
GENERAL CHARACTERISTICS:

ELECTRICAL AND MECHANICAL DATA ACC. TO IEC 61076-2-101

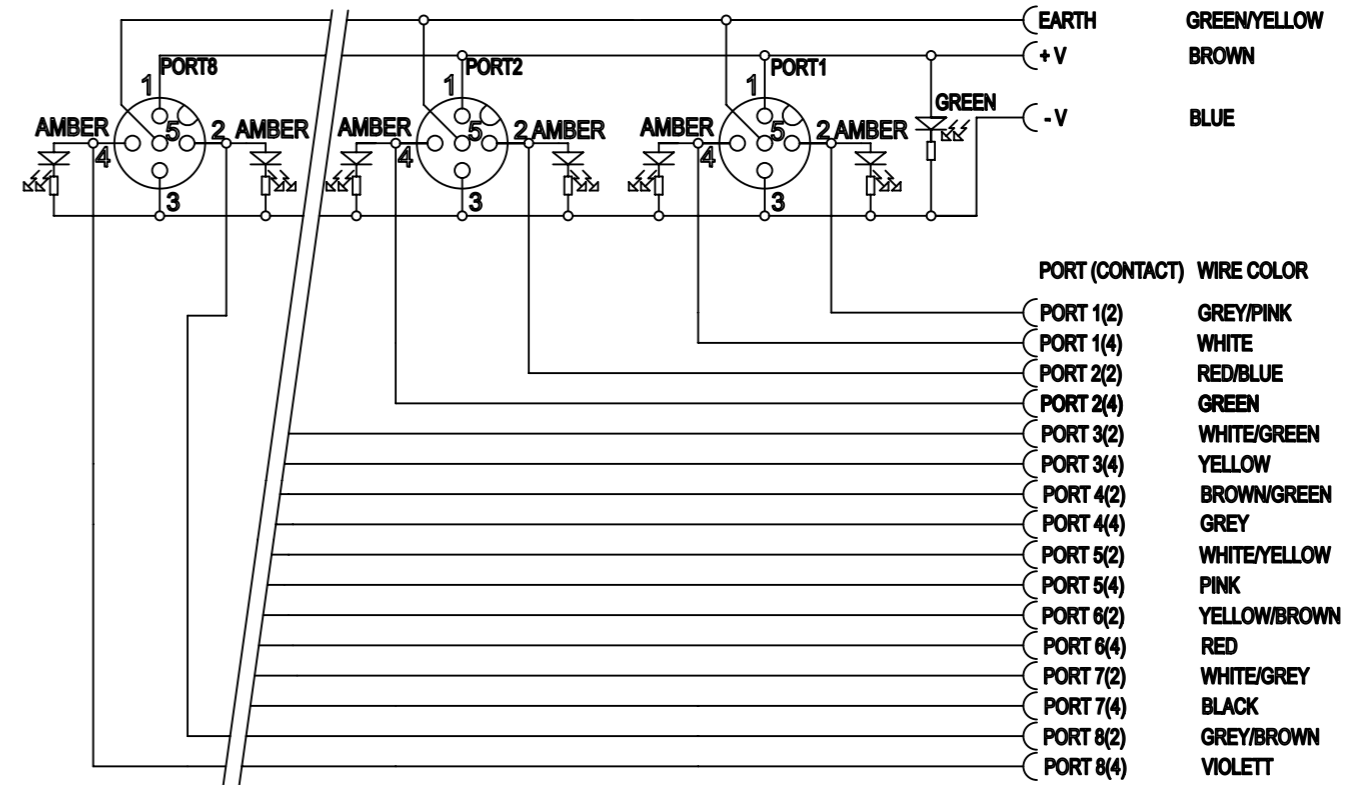
NOMINAL VOLTAGE: 10-30 V DC
 AMPERE RATING: 4 A PER PORT / 12 A MAX
 AMPERE RATING WITH UL REGISTRATION: 3 A PER PORT / 9 A MAX
 IP DEGREE OF PROTECTION: IP 67
 TEMPERATURE RANGE: -25°C to + 85°C

SYMBOLS	DIMENSION UNITS	SCALE	THIS DRAWING CONTAINS INFORMATION THAT IS PROPRIETARY TO MOLEX ELECTRONIC TECHNOLOGIES, LLC AND SHOULD NOT BE USED WITHOUT WRITTEN PERMISSION																			
▽ = 0	mm		CURRENT REV DESC: 1202480108 ADDED																			
▽ = 0	GENERAL TOLERANCES (UNLESS SPECIFIED)		<table border="1"> <tr> <td colspan="3">molex</td> </tr> <tr> <td colspan="3">MPIS M12 PNP NOS 5P 8PT AC FE STR XM STA DUAL</td> </tr> <tr> <td colspan="3">PRODUCT CUSTOMER DRAWING</td> </tr> <tr> <td>DOCUMENT NUMBER</td> <td>DOC TYPE</td> <td>DOC PART</td> <td>REVISION</td> </tr> <tr> <td>1202480046</td> <td>PSD</td> <td>000</td> <td>A2</td> </tr> </table>			molex			MPIS M12 PNP NOS 5P 8PT AC FE STR XM STA DUAL			PRODUCT CUSTOMER DRAWING			DOCUMENT NUMBER	DOC TYPE	DOC PART	REVISION	1202480046	PSD	000	A2
molex																						
MPIS M12 PNP NOS 5P 8PT AC FE STR XM STA DUAL																						
PRODUCT CUSTOMER DRAWING																						
DOCUMENT NUMBER	DOC TYPE	DOC PART				REVISION																
1202480046	PSD	000	A2																			
▽ = 0	ANGULAR TOL ± °																					
▽ = 0	4 PLACES ±																					
▽ = 0	3 PLACES ±																					
▽ = 0	2 PLACES ±																					
▽ = 0	1 PLACE ±																					
▽ = 0	0 PLACES ± 0.25																					
□ = 0	DRAFT WHERE APPLICABLE MUST REMAIN WITHIN DIMENSIONS		THIRD ANGLE PROJECTION	DRAWING	SERIES	MATERIAL NUMBER	CUSTOMER	SHEET NUMBER														
▽ = 0			A3-SIZE	120248	SEE TABLE 1	GENERAL MARKET	1 OF 2															

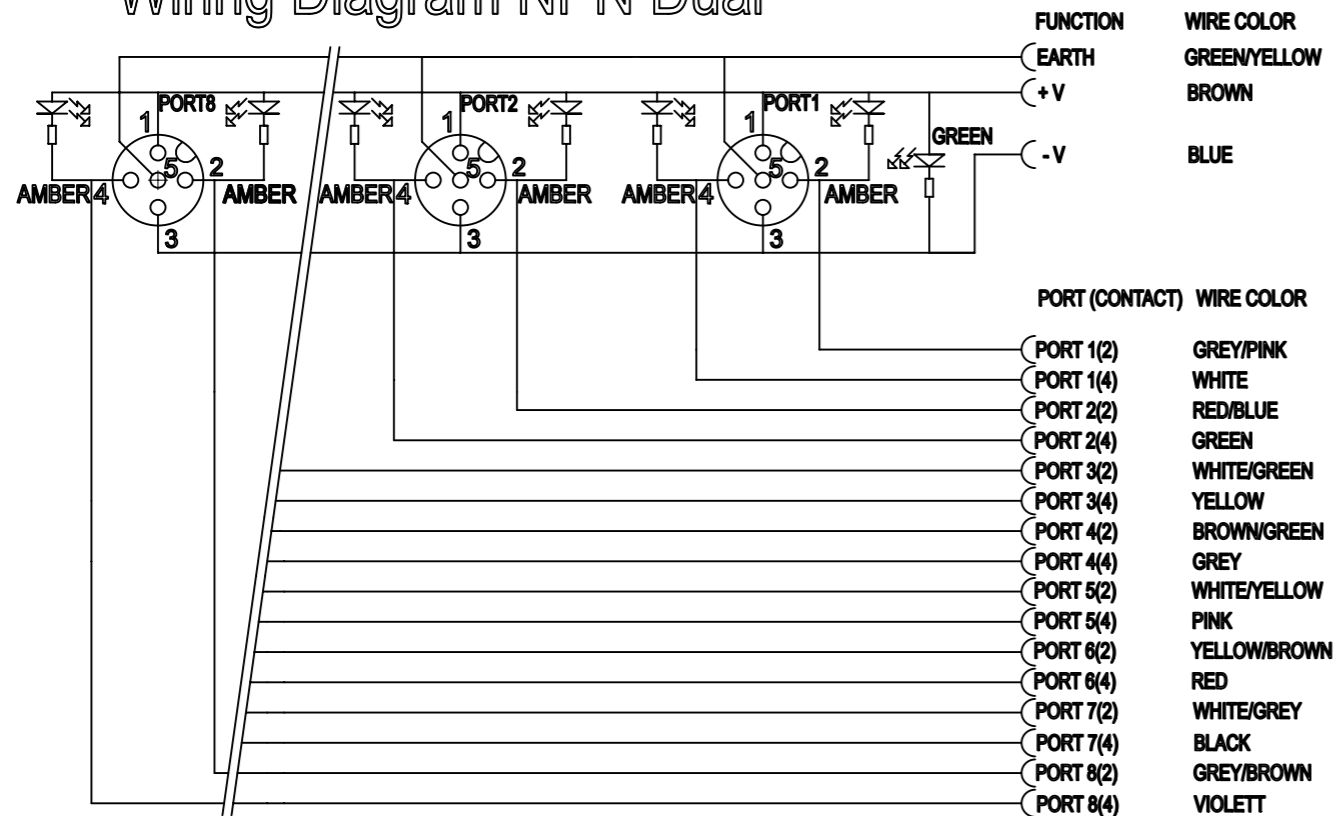
Wiring Diagram NON LED Dual



Wiring Diagram PNP Dual



Wiring Diagram NPN Dual



SYMBOLS	THIS DRAWING CONTAINS INFORMATION THAT IS PROPRIETARY TO MOLEX ELECTRONIC TECHNOLOGIES, LLC AND SHOULD NOT BE USED WITHOUT WRITTEN PERMISSION		CURRENT REV DESC: 1202480108 ADDED		
	DIMENSION UNITS	SCALE			
▽ = 0	mm			MPIS M12 PNP NOS 5P 8PT AC FE STR XM STA DUAL	
▽ = 0	GENERAL TOLERANCES (UNLESS SPECIFIED)				PRODUCT CUSTOMER DRAWING
▽ = 0	ANGULAR TOL	±			
▽ = 0	4 PLACES	±			DOCUMENT NUMBER
▽ = 0	3 PLACES	±			
▽ = 0	2 PLACES	±			DOC TYPE
▽ = 0	1 PLACE	±			
▽ = 0	0 PLACES	± 0.25			DOC PART
▽ = 0	DRAFT WHERE APPLICABLE MUST REMAIN WITHIN DIMENSIONS				
□ = 0	THIRD ANGLE PROJECTION		DRAWING	SERIES	REVISION
▽ = 0			A3-SIZE	120248	
			MATERIAL NUMBER	CUSTOMER	SHEET NUMBER
			SEE TABLE 1	GENERAL MARKET	