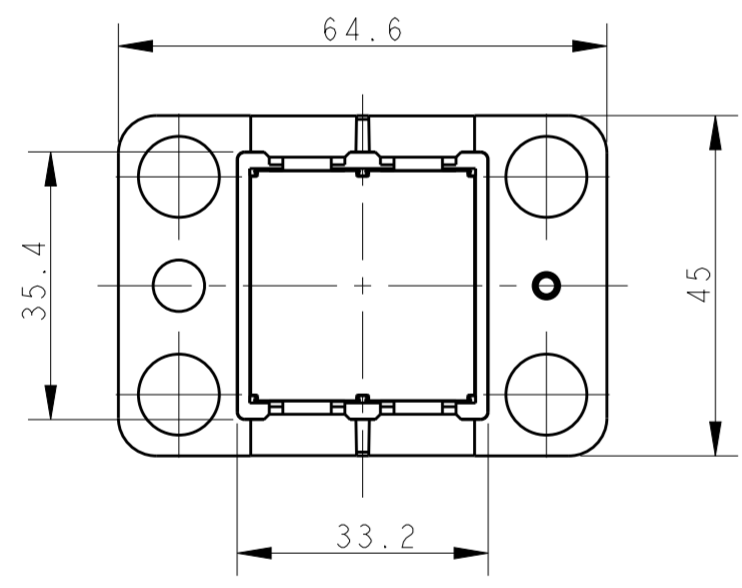
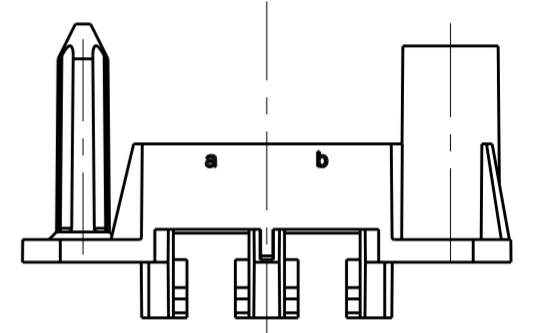
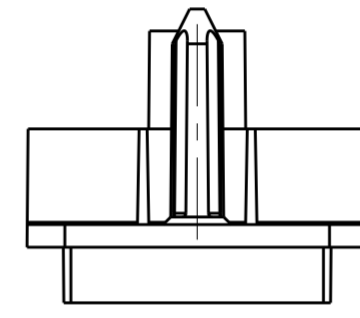
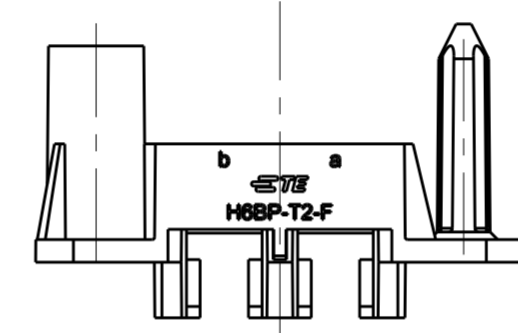
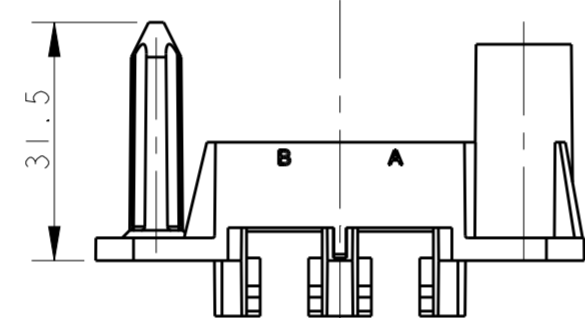
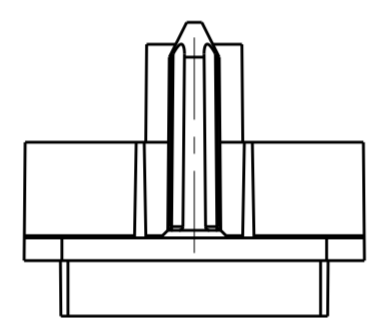
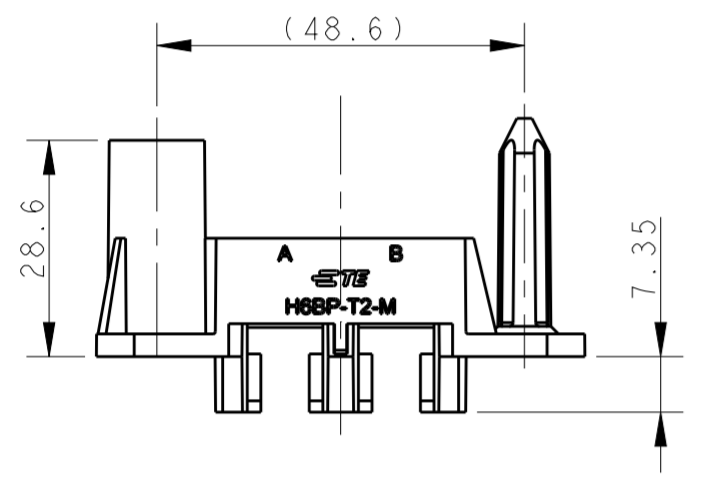
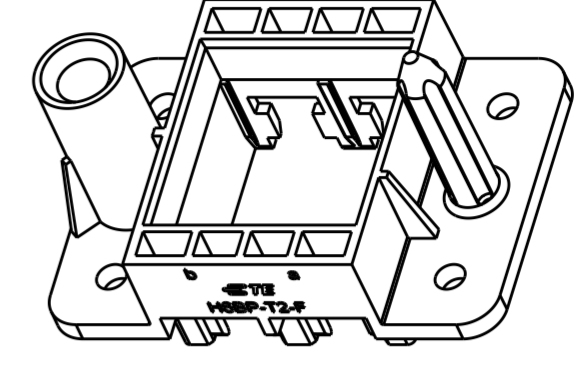
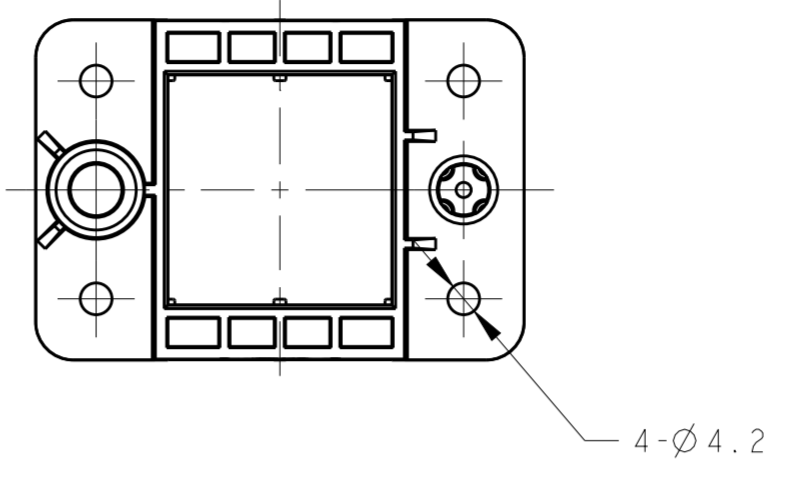
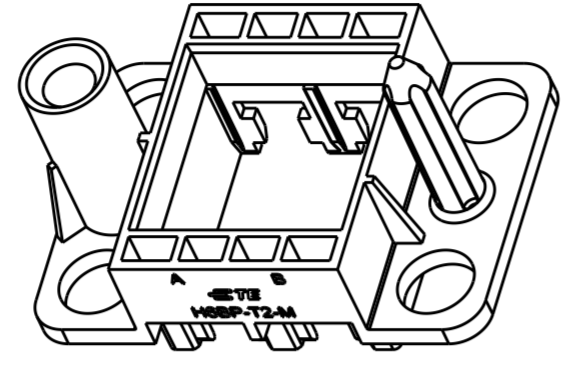
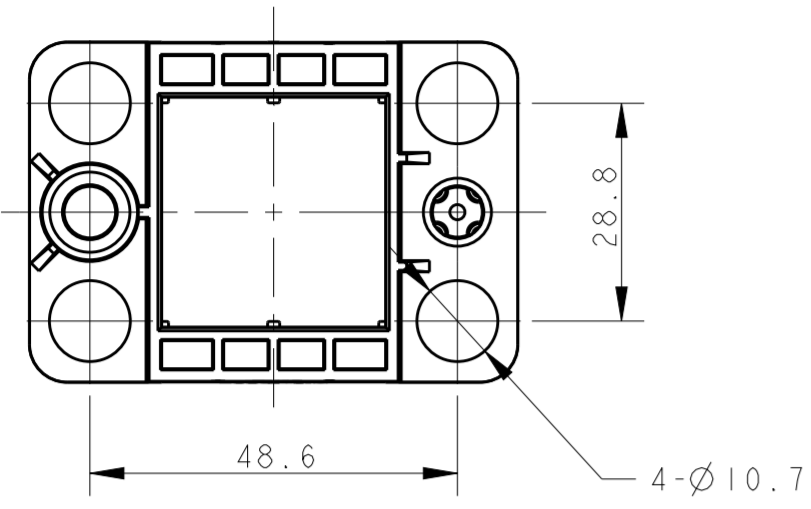


THIS DRAWING IS UNPUBLISHED. RELEASED FOR PUBLICATION
 © COPYRIGHT - BY - ALL RIGHTS RESERVED.

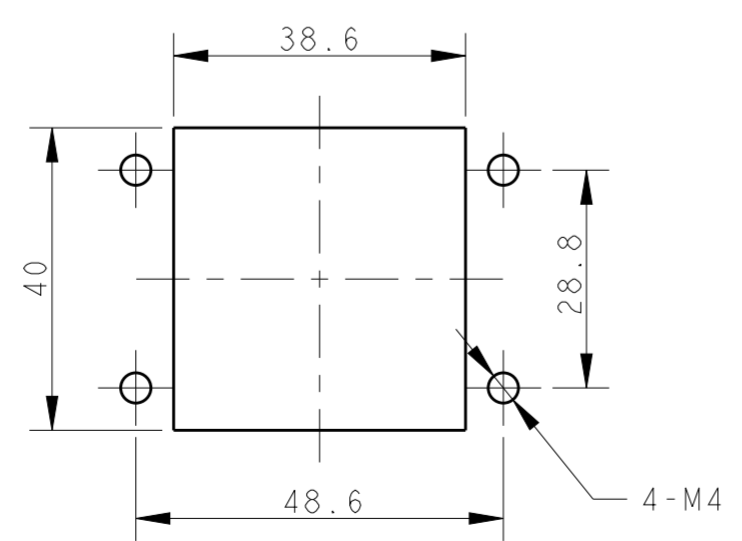
REVISIONS				
P	LTR	DESCRIPTION	DATE	APVD
A		INITIAL RELEASE	30DEC2015	DL CW



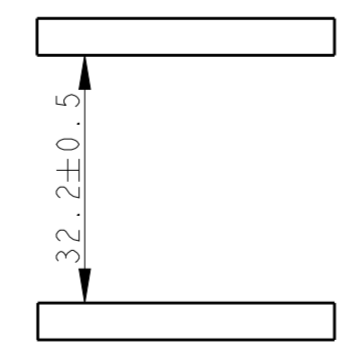
H6BP-T2-M
 T2071064101-000
 DOCKING FRAME FOR HMN INSERTS_FLOATING
 2 MODULES

OTHER SPEC REFER TO
 PN T2071064101-000
 H6BP-T2-F
 T2071064201-000
 DOCKING FRAME FOR HMN INSERTS_FIXED
 2 MODULES

NOTES:
 1. TECHNICAL CHARACTERISTICS:
 INSULATION MATERIAL: PC
 FLAMMABILITY: UL94V-0
 MATING CYCLES: 500
 注释:
 1. 技术参数:
 绝缘材料: PC
 阻燃等级: UL94V-0
 插拔次数: 500次



PANEL CUT OUT



SPACING OF TWO PANELS
 AT CLOSE STATUS

T2071064201-000	H6BP-T2-F DOCKING FRAME FOR HMN INSERTS_FIXED HMN 塑胶框架_固定端
T2071064101-000	H6BP-T2-M DOCKING FRAME FOR HMN INSERTS_FLOATING HMN 塑胶框架_浮动端
PART NUMBER 料号	PART DESCRIPTION 描述

THIS DRAWING IS A CONTROLLED DOCUMENT.		DWN 30DEC2015 DAVID LI	TE Connectivity		
DIMENSIONS: mm		CHK 30DEC2015 CHRIS WANG			NAME H6BP-T2-M/F DOCKING FRAME FOR HMN INSERTS 2 MODULES
TOLERANCES UNLESS OTHERWISE SPECIFIED:		APVD 30DEC2015 XU XIANG			
0 PLC ± 1 PLC ± 2 PLC ± 3 PLC ± 4 PLC ± ANGLES ± FINISH -		PRODUCT SPEC 108-137168 APPLICATION SPEC 114-137168 WEIGHT - CUSTOMER DRAWING			RESTRICTED TO -
MATERIAL -		SCALE 1:1	SHEET OF	REV A	