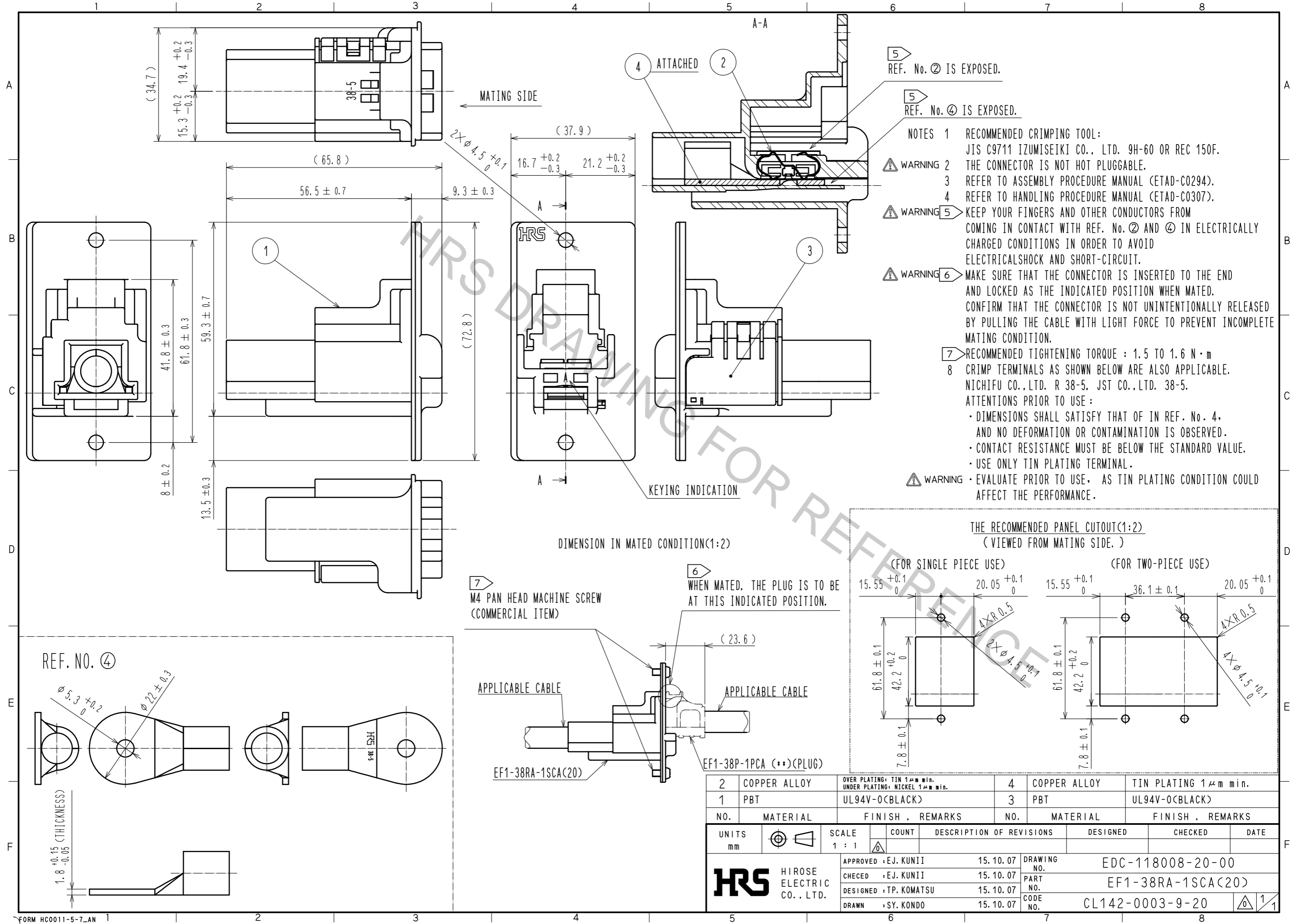


Sep.1.2018 Copyright 2018 HIROSE ELECTRIC CO., LTD. All Rights Reserved.
 In case that the application demands a high level of reliability, such as automotive,
 please contact a company representative for further information.



2	COPPER ALLOY	OVER PLATING: TIN 1μm min. UNDER PLATING: NICKEL 1μm min.	4	COPPER ALLOY	TIN PLATING 1μm min.			
1	PBT	UL94V-0(BLACK)	3	PBT	UL94V-0(BLACK)			
NO.	MATERIAL	FINISH . REMARKS	NO.	MATERIAL	FINISH . REMARKS			
UNITS	mm	SCALE	1 : 1	COUNT	DESCRIPTION OF REVISIONS	DESIGNED	CHECKED	DATE
		APPROVED : E.J. KUNII 15.10.07 CHECED : E.J. KUNII 15.10.07 DESIGNED : TP. KOMATSU 15.10.07 DRAWN : SY. KONDO 15.10.07	DRAWING NO. EDC-118008-20-00 PART NO. EF1-38RA-1SCA(20) CODE NO. CL142-0003-9-20	1/1				