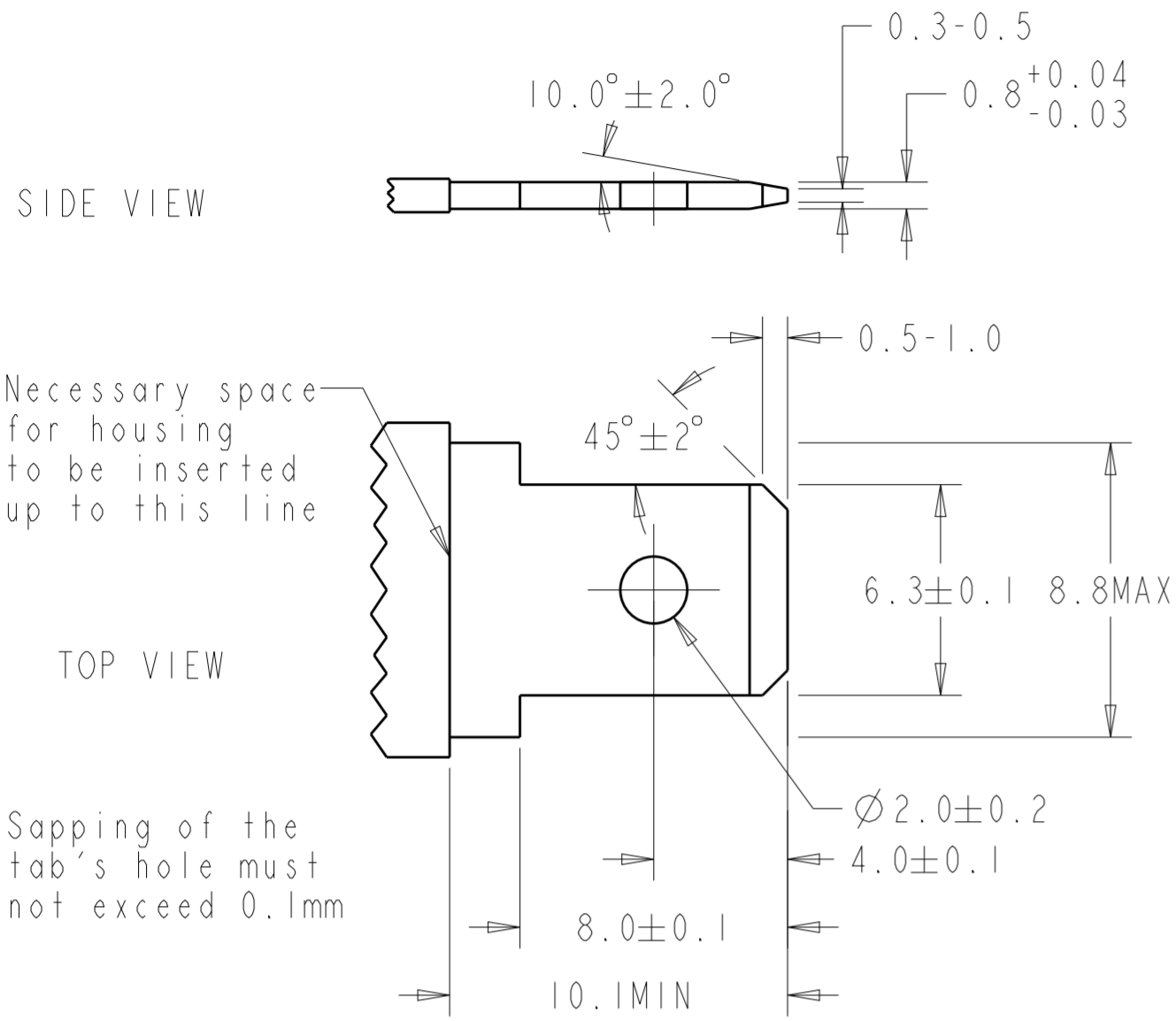


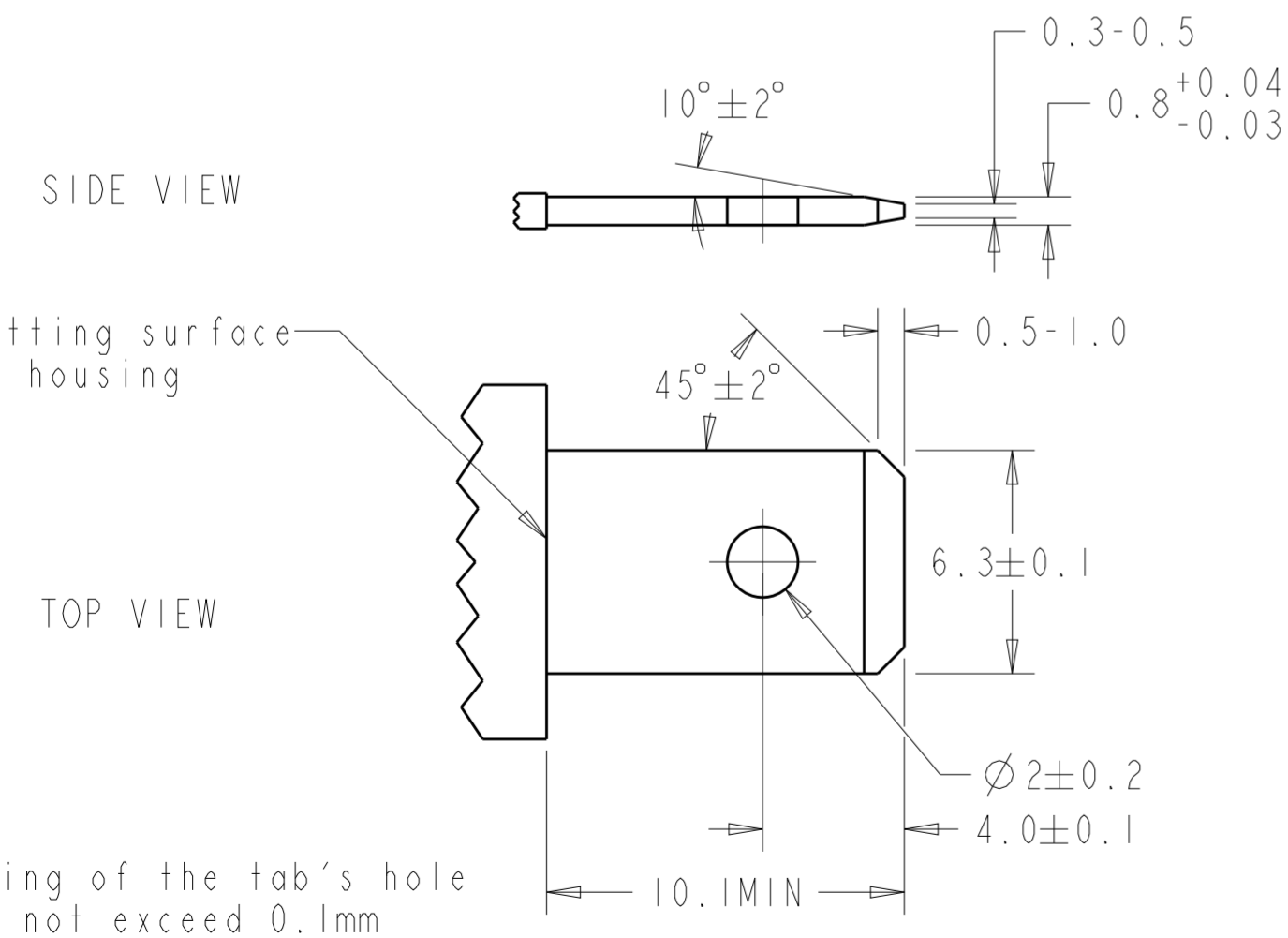
THIS DRAWING IS UNPUBLISHED. RELEASED FOR PUBLICATION 20
 © COPYRIGHT 20 BY - ALL RIGHTS RESERVED.

REVISIONS						
P	LTR	DESCRIPTION	DATE	DWN	APVD	
A6		ECR-18-014557	14SEP18	L.P.	T.D.	

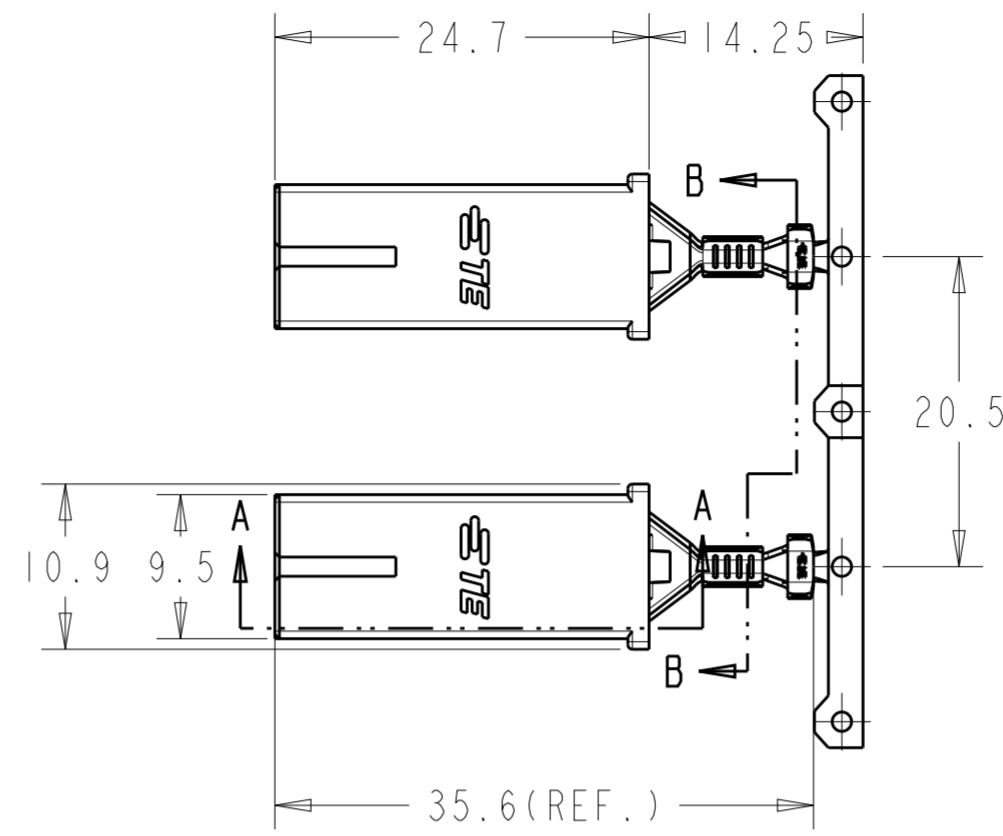
SUGGESTED MATING TAB



TYPE A (When using tab shoulder for butting)

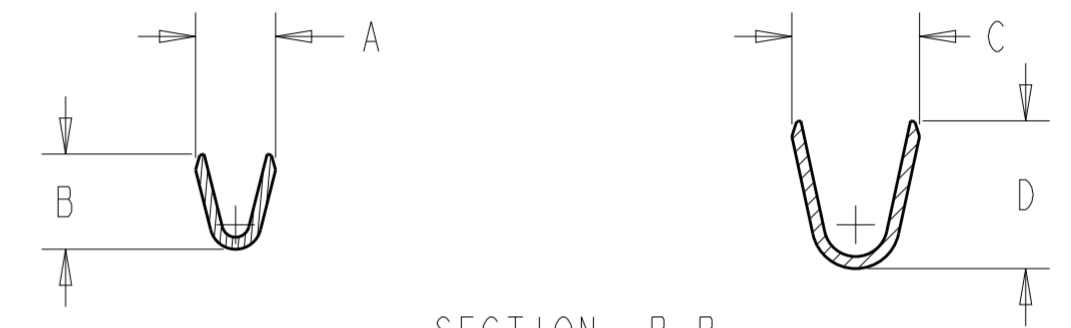


TYPE B (When using resin, etc. for butting)

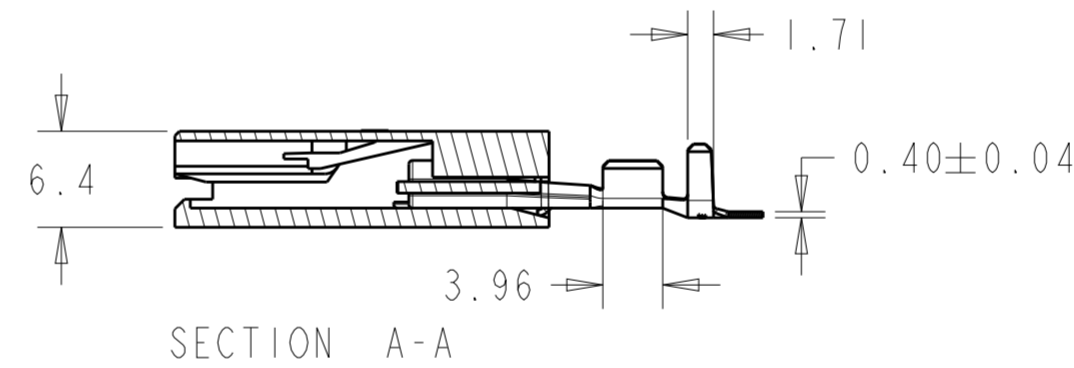


NOTE:

1. HOUSING MATERIAL, NYLON 6/66, GLASS-FIBRE. UL94V-0.
2. GWT 750°C VERSION, ACCORDING TO IEC 60335-1.
3. CONTACT MATERIAL, TIN PLATED BRASS.



SECTION B-B
SCALE 4:1



5.8 REF.	6.2	4.5 REF.	4.5	3.40-5.08	14-12	2299282-3
4.9 REF.	5.3	3.9 REF.	3.5	3.0-4.0	18-14	2299282-2
4.9 REF.	4.2	3.1 REF.	2.6	2.2-3.0	22-18	2299282-1
DIM D	DIM C	DIM B	DIM A	INSULATION (mm)	WIRE SIZE (AWG)	P/N

THIS DRAWING IS A CONTROLLED DOCUMENT.		DWN LEI.PAN 14NOV2016	TE Connectivity			
DIMENSIONS: mm		CHK TIM.DING 14NOV2016				
TOLERANCES UNLESS OTHERWISE SPECIFIED:		APVD TIM.DING 14NOV2016	NAME POD-LOK 250 STR.ASSY.			
0 PLC ±		PRODUCT SPEC	108-106262			
1 PLC ±0.3		APPLICATION SPEC	114-106262			
2 PLC ±0.25		WEIGHT	-			
3 PLC ±		CUSTOMER DRAWING	SCALE 5:1 SHEET 1 OF 1 REV A6			
4 PLC ±						
ANGLES ±						
FINISH ±						