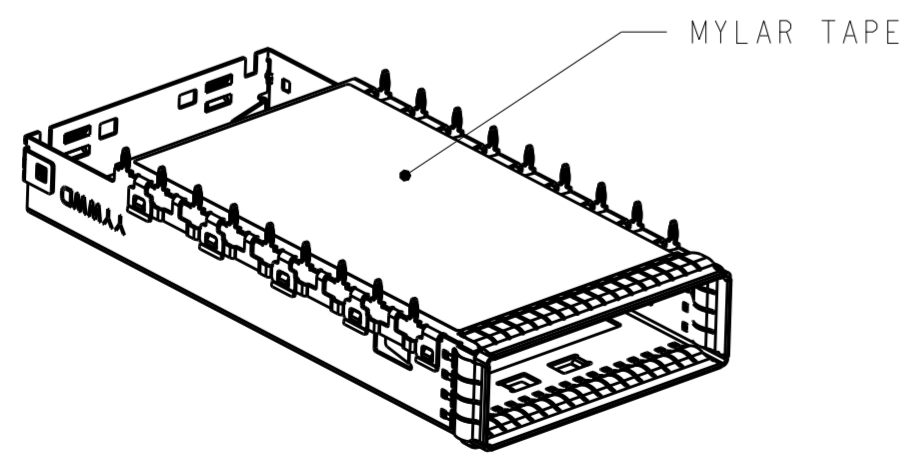
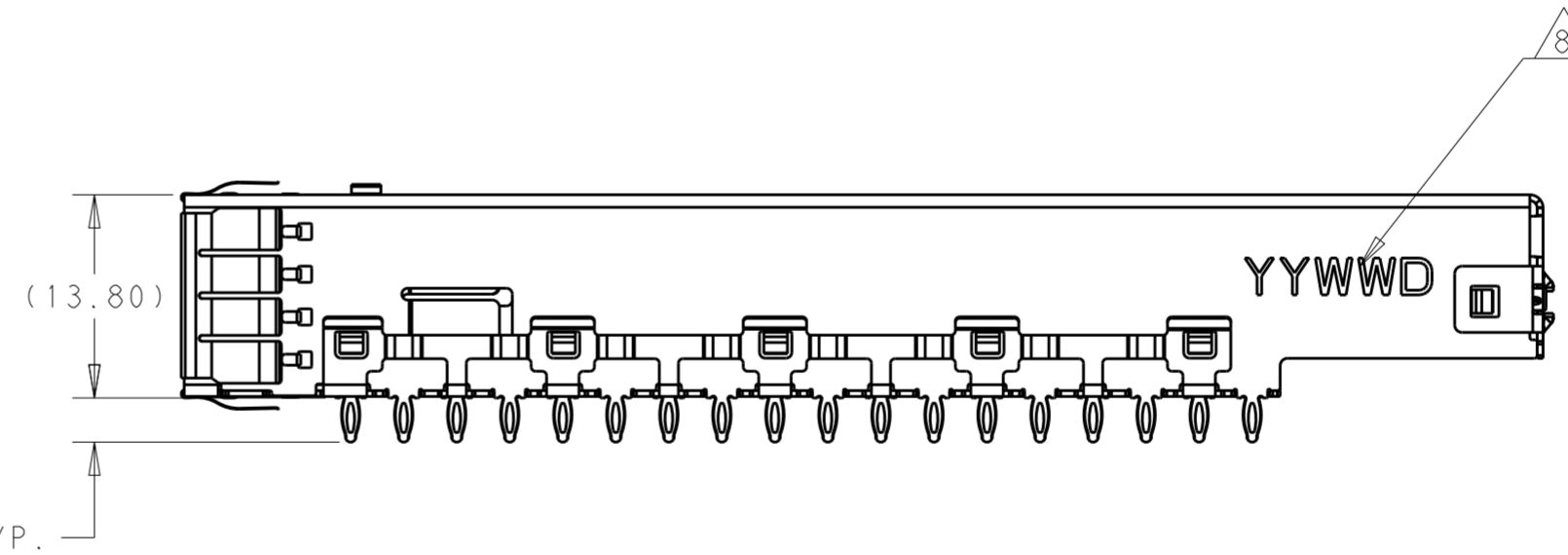
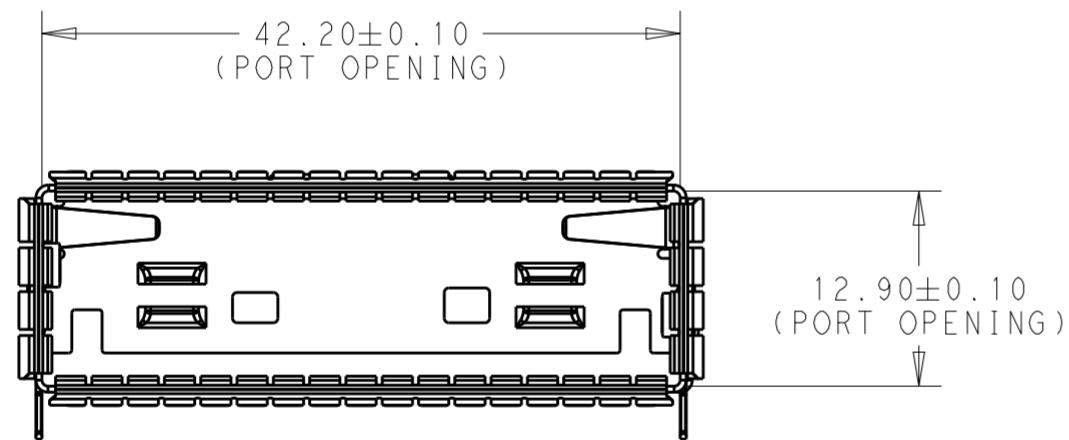
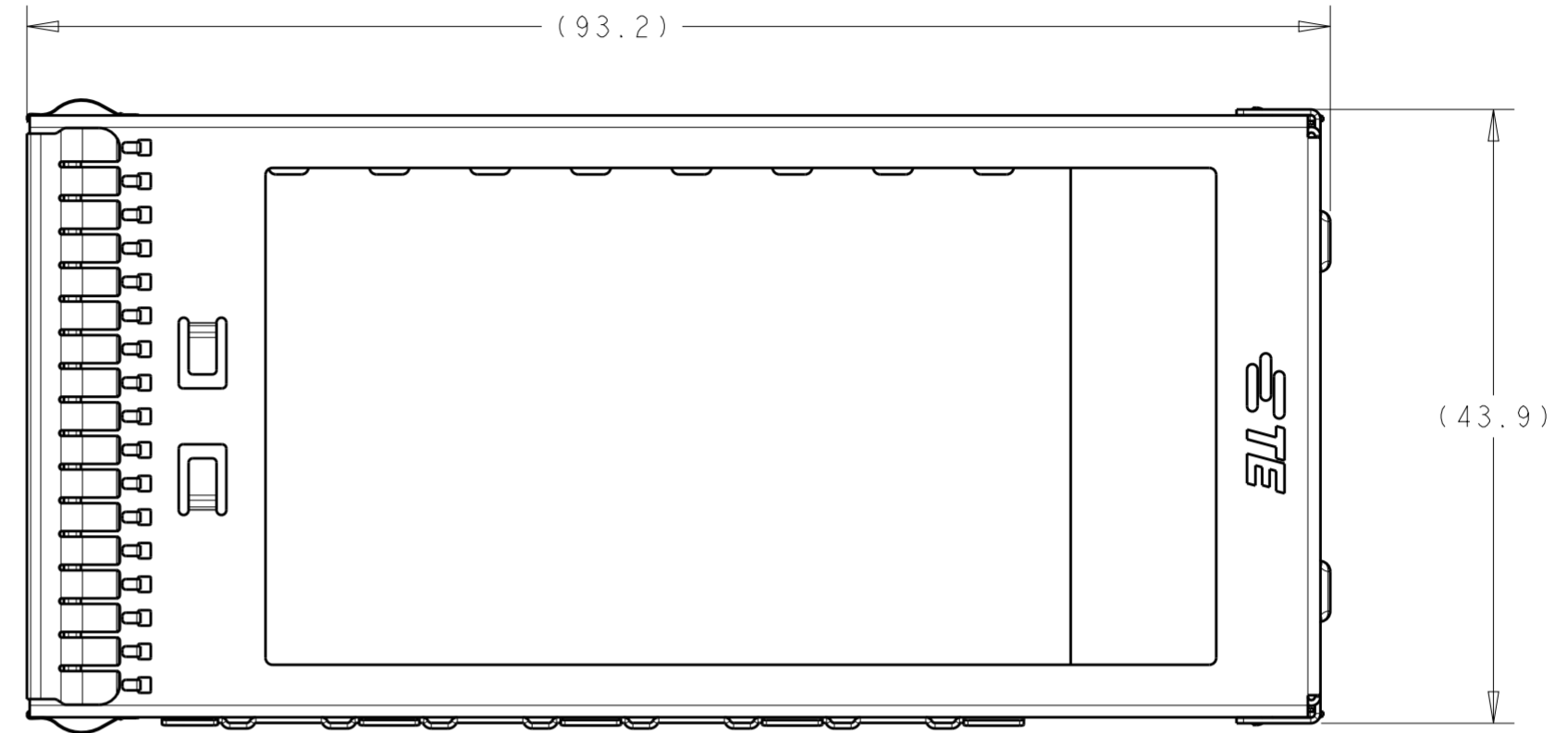


THIS DRAWING IS UNPUBLISHED. RELEASED FOR PUBLICATION 20
 © COPYRIGHT 20 BY - ALL RIGHTS RESERVED.

REVISIONS				
P	LTR	DESCRIPTION	DATE	APVD
1		PRELIMINARY DRAWING	30MAY2016	AD SH
2		ADD DASH NUMBER	18AUG2016	AD SH
3		ADD PART WIHT MYLAR	14SEP2016	AD SH

- 1 MATERIAL .CAGE -0.4MM THICK NICKEL SILVER AOOY.
EMI SPRING: COPPER ALLOY;
- 2 .FINISH: EMI SPRING :1.27um NICKEL PALTING OVER ALL;
- 3.MATES WITH CFP MSA COMPLIANT TRANSCEIVERS.
- 4.DATUM AND BASIC DIMENSION ESTABLISHED BY CUSTOMER.
- 5.MINIMUM PC BOARD THICKNESS: SIGLE SIDE APPLICATIONS=2.99±0.10mm.
BELLY TO BELLY APPLICATION: 3.0mm MIN.
- 6.PADS AND VIAS CHASSIS GROUND;
- 7:REFERENCE APPLICATION SOEC 114-32146,HOLE A, FOR
RECOMMENDED DRILL HOLE DIAMETER AND PLATING THICKNESS.
- 8: DATE CODE MARKED IN APPROXIMATE AREA.



THIS PRINT IS
PRELIMINARY
 UNQUALIFIED PRODUCT
 CONTACT PRODUCT ENGINEERING
 BEFORE USING THIS PRINT

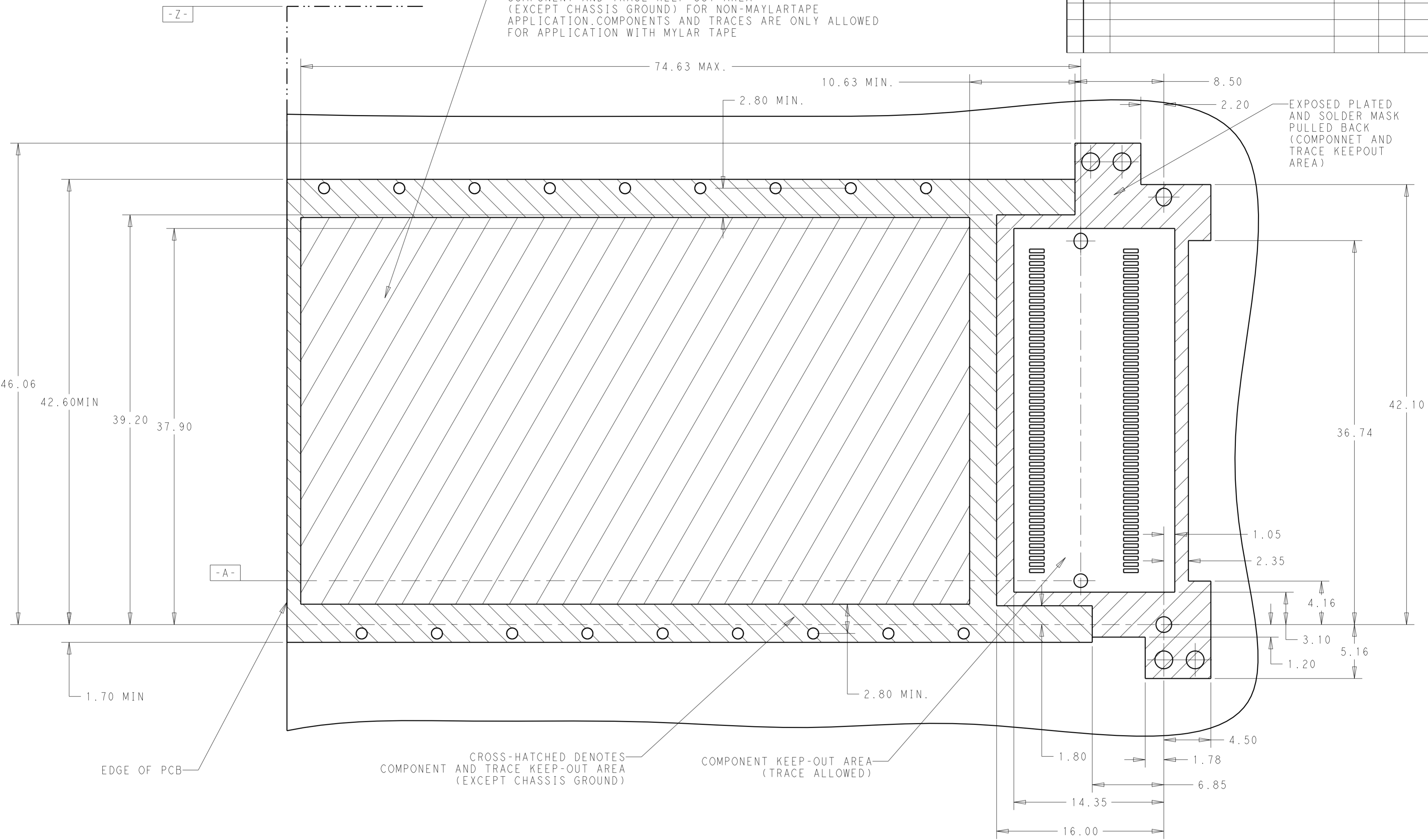
WITH	2274843-4
WITHOUT	2274843-2
MYLAR TAPE	PART NUMBER

THIS DRAWING IS A CONTROLLED DOCUMENT.		DWN ANDY.XIF 30MAY2016	STE TE Connectivity			
DIMENSIONS:		CHK SEAN.HAN 30MAY2016	NAME CAGE ASSEMBLY, CFP2 1X1 PRESS FIT, EMI SPRING			
TOLERANCES UNLESS OTHERWISE SPECIFIED:		APVD SEAN.HAN 30MAY2016				
mm	0 PLC ±-	PRODUCT SPEC	SIZE	CAGE CODE	DRAWING NO	RESTRICTED TO
	1 PLC ±0.25	108-32103	A2	-	G-2274843	-
	2 PLC ±0.15	APPLICATION SPEC	SCALE 1:1 SHEET 1 OF 4 REV 3			
	3 PLC ±0.10	114-32146	CUSTOMER DRAWING			
	4 PLC ±0.0001	WEIGHT -				
	ANGLES ±-					
	FINISH -					

THIS DRAWING IS UNPUBLISHED. RELEASED FOR PUBLICATION 20
 © COPYRIGHT 20 BY - ALL RIGHTS RESERVED.

REVISIONS					
P	LTR	DESCRIPTION	DATE	DWN	APVD
-		SEE SHEET 1	-	-	-

CROSS-HATCHED DENOTES COMPONENT AND TRACE KEEP-OUT AREA (EXCEPT CHASSIS GROUND) FOR NON-MAYLARTAPE APPLICATION. COMPONENTS AND TRACES ARE ONLY ALLOWED FOR APPLICATION WITH MYLAR TAPE



EDGE OF PCB

CROSS-HATCHED DENOTES COMPONENT AND TRACE KEEP-OUT AREA (EXCEPT CHASSIS GROUND)

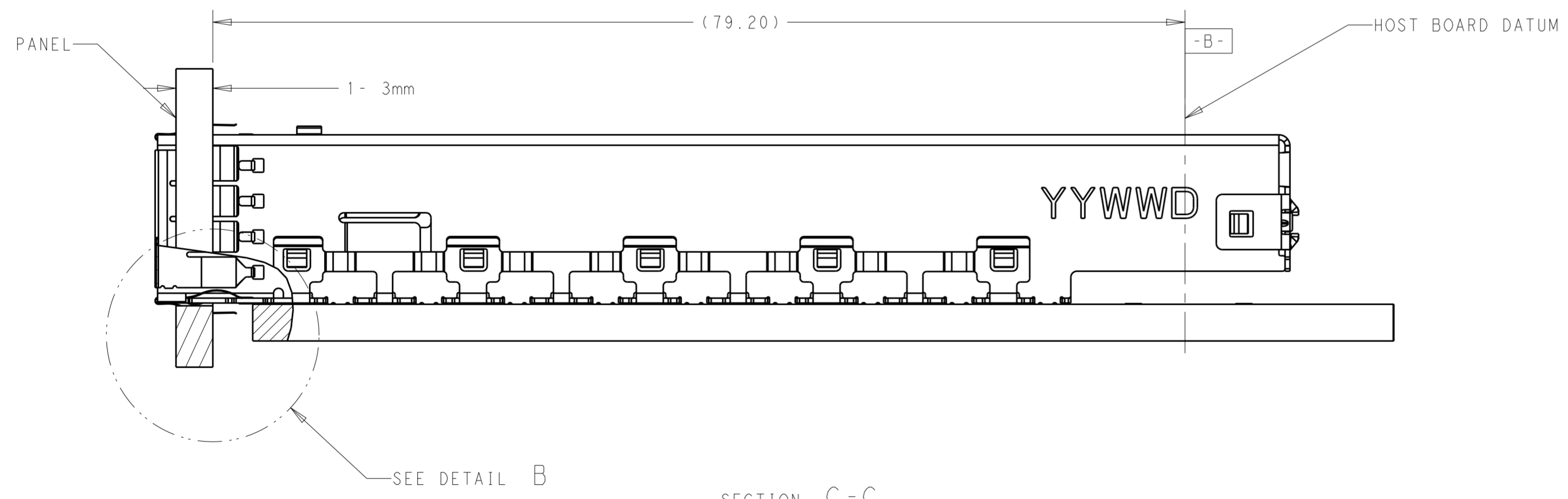
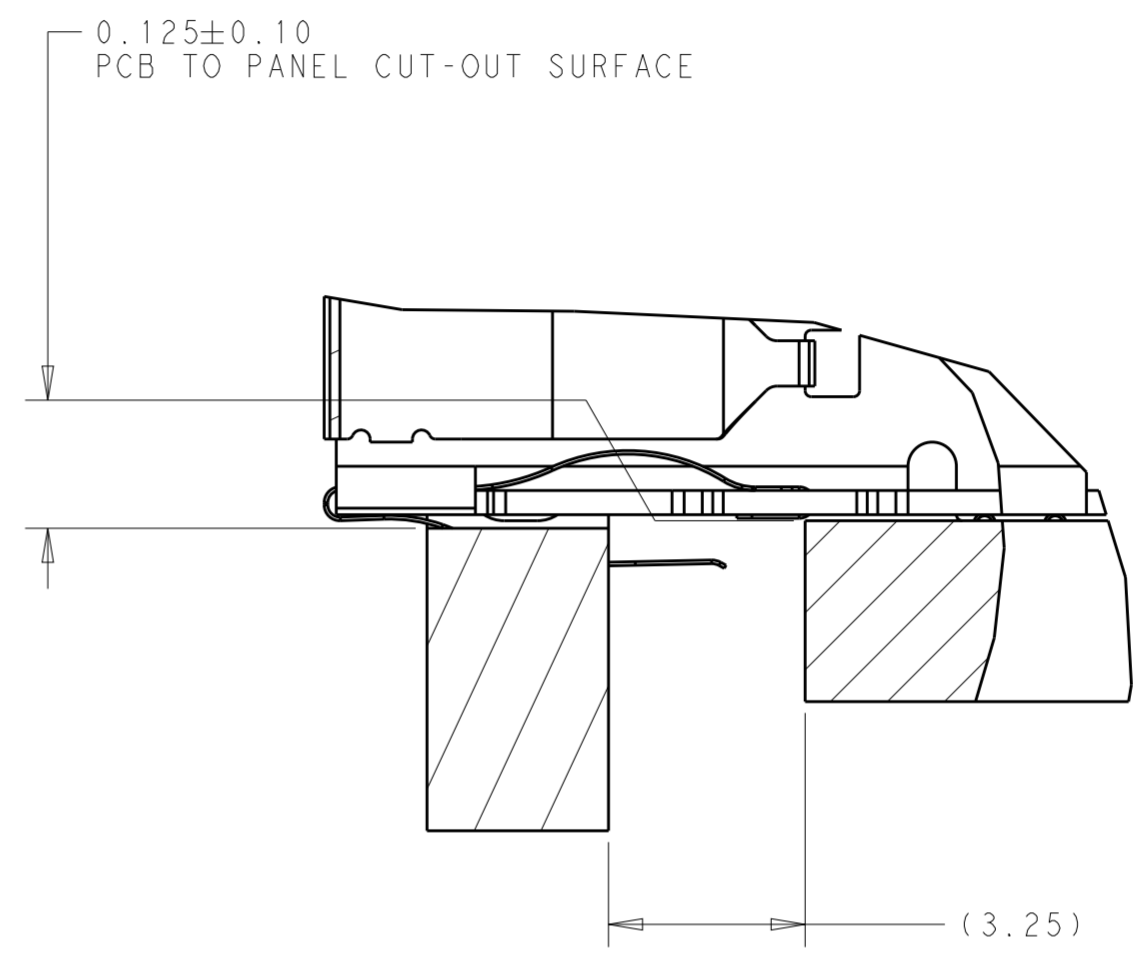
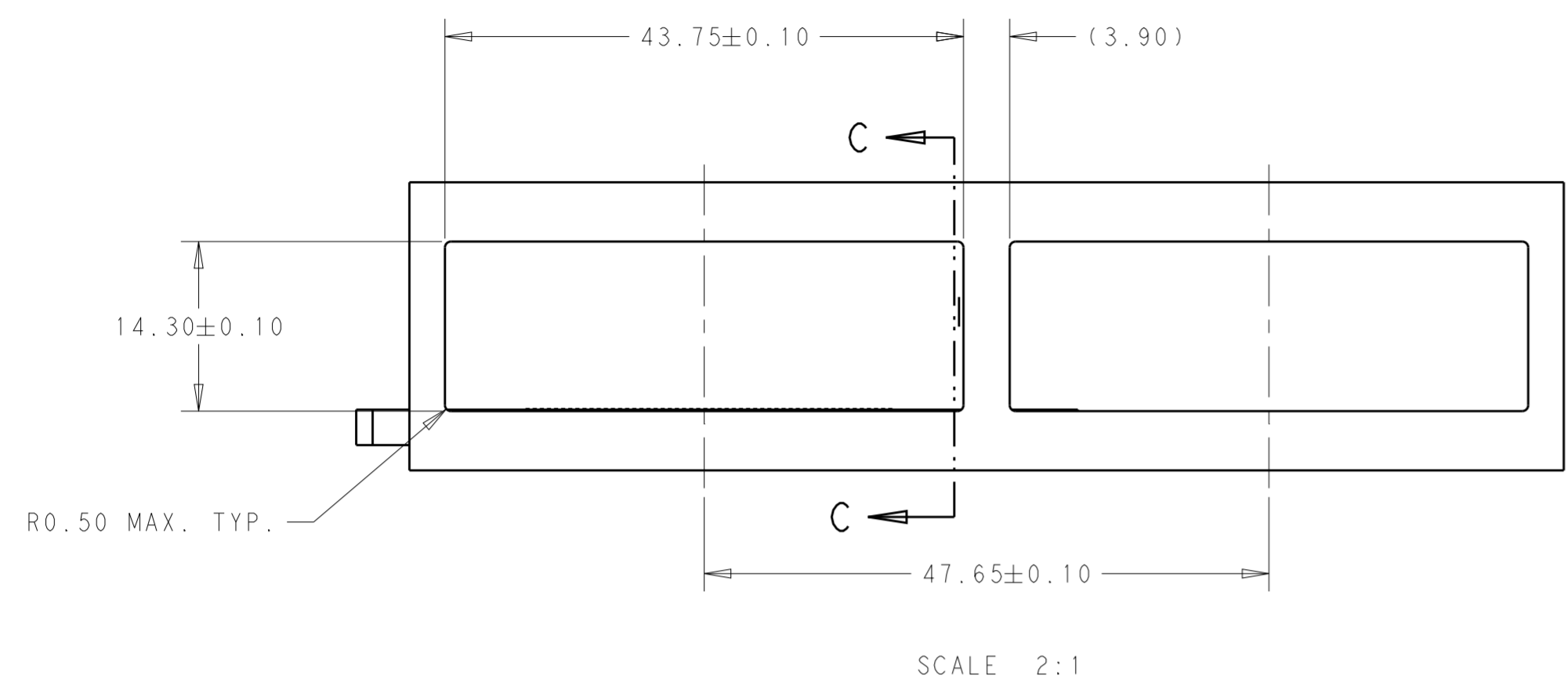
COMPONENT KEEP-OUT AREA (TRACE ALLOWED)

THIS PRINT IS
PRELIMINARY
 UNQUALIFIED PRODUCT
 CONTACT PRODUCT ENGINEERING
 BEFORE USING THIS PRINT

THIS DRAWING IS A CONTROLLED DOCUMENT.		DWN ANDY.XIF 30MAY2016	TE Connectivity	
		CHK SEAN.HAN 30MAY2016		
		APVD SEAN.HAN 30MAY2016	NAME CAGE ASSEMBLY, CFP2 1X1 PRESS FIT, EMI SPRING	
DIMENSIONS: mm		PRODUCT SPEC -	SIZE A2	CAGE CODE -
TOLERANCES UNLESS OTHERWISE SPECIFIED: 0 PLC ±0.10 1 PLC ±0.10 2 PLC ±0.10 3 PLC ±0.10 4 PLC ±0.05 ANGLES ±1 FINISH		APPLICATION SPEC -	DRAWING NO C-2274843	RESTRICTED TO -
MATERIAL SEE NOTES		WEIGHT -	SCALE 1:1	SHEET 3 OF 4
		Customer Drawing	REV 3	

THIS DRAWING IS UNPUBLISHED. RELEASED FOR PUBLICATION 20
 © COPYRIGHT 20 BY - ALL RIGHTS RESERVED.

REVISIONS				
P	LTR	DESCRIPTION	DATE	APVD
-	-	SEE SHEET 1	-	-



THIS PRINT IS
PRELIMINARY
 UNQUALIFIED PRODUCT
 CONTACT PRODUCT ENGINEERING
 BEFORE USING THIS PRINT

THIS DRAWING IS A CONTROLLED DOCUMENT.		DWN ANDY.XIE 30MAY2016	TE Connectivity	
DIMENSIONS: mm		CHK SEAN.HAN 30MAY2016		
TOLERANCES UNLESS OTHERWISE SPECIFIED:		APVD SEAN.HAN 30MAY2016	NAME CAGE ASSEMBLY ,CFP2 1X1 PRESS FIT,EMI SPRING	
0 PLC ±	1 PLC ±0.25	PRODUCT SPEC	SIZE A2	CAGE CODE -
2 PLC ±0.15	3 PLC ±0.1	APPLICATION SPEC	DRAWING NO C-2274843	RESTRICTED TO -
4 PLC ±	ANGLES ±1	WEIGHT -	SCALE 1:1	SHEET 4 OF 4
MATERIAL SEE NOTES	FINISH SEE NOTES	Customer Drawing	REV 3	