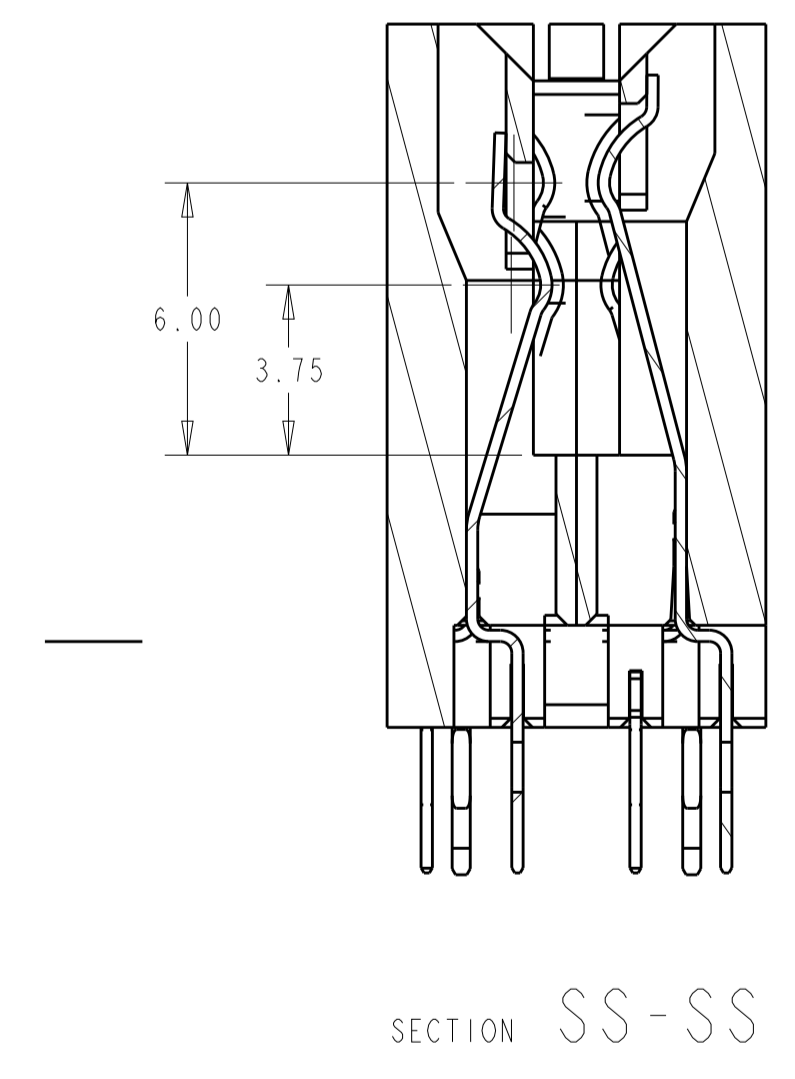
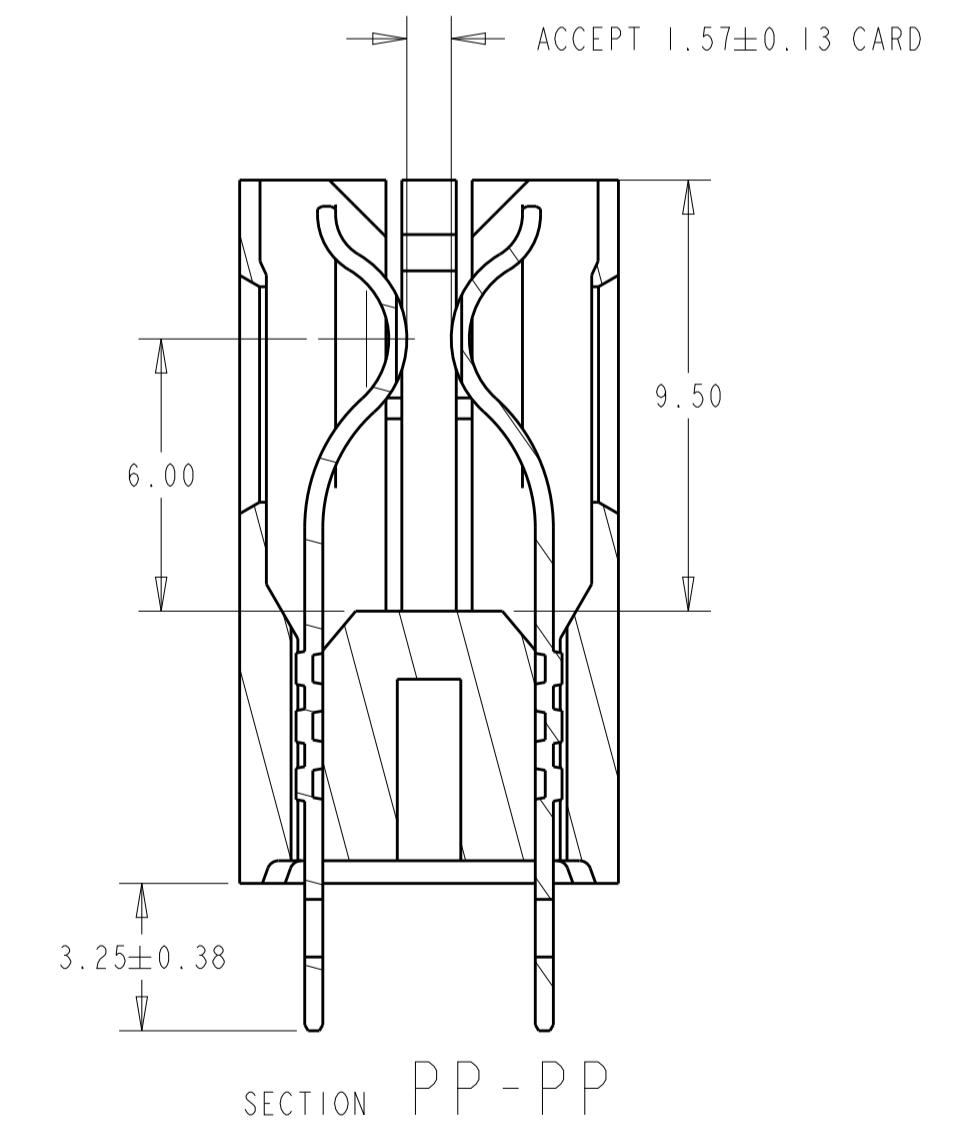
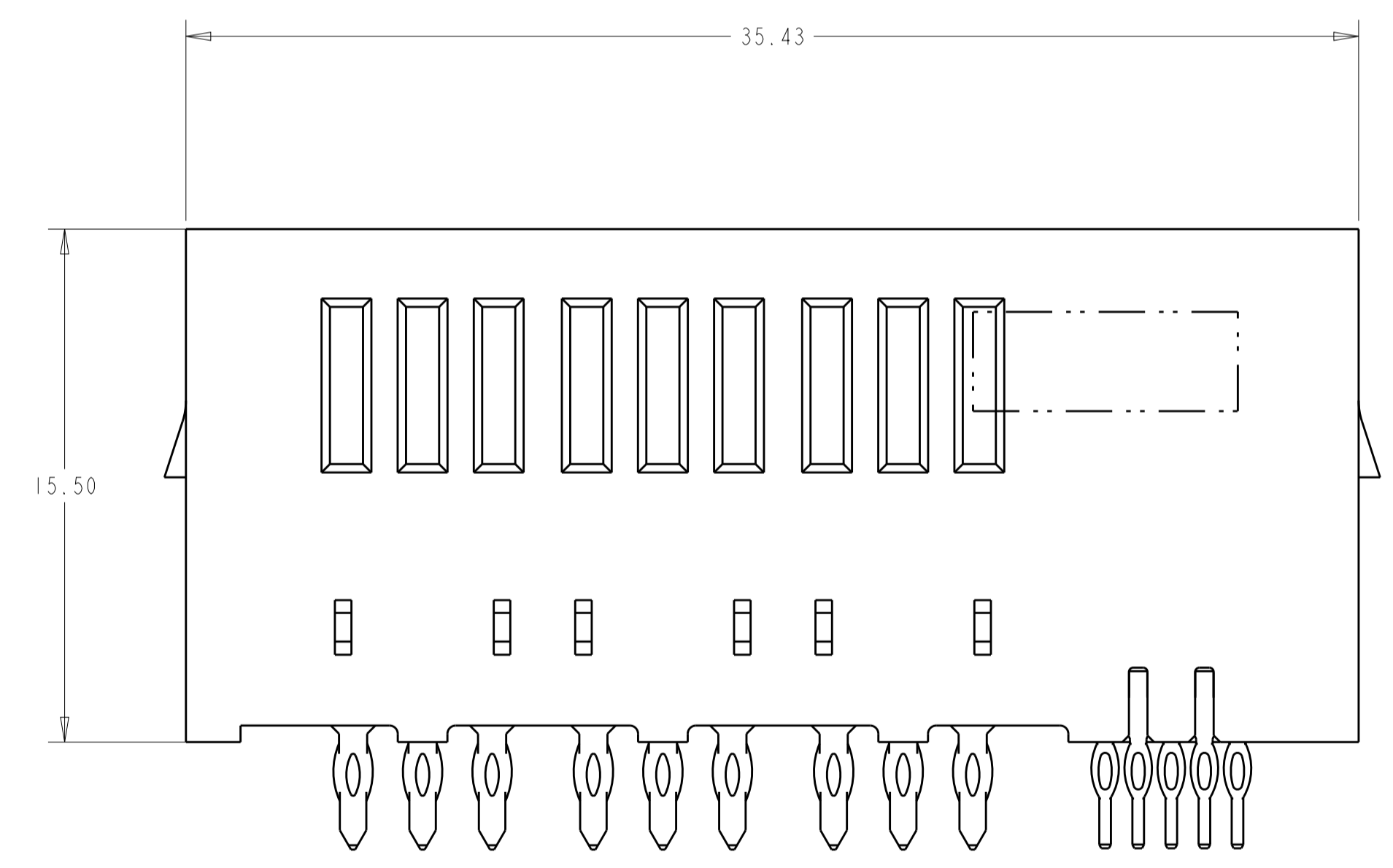
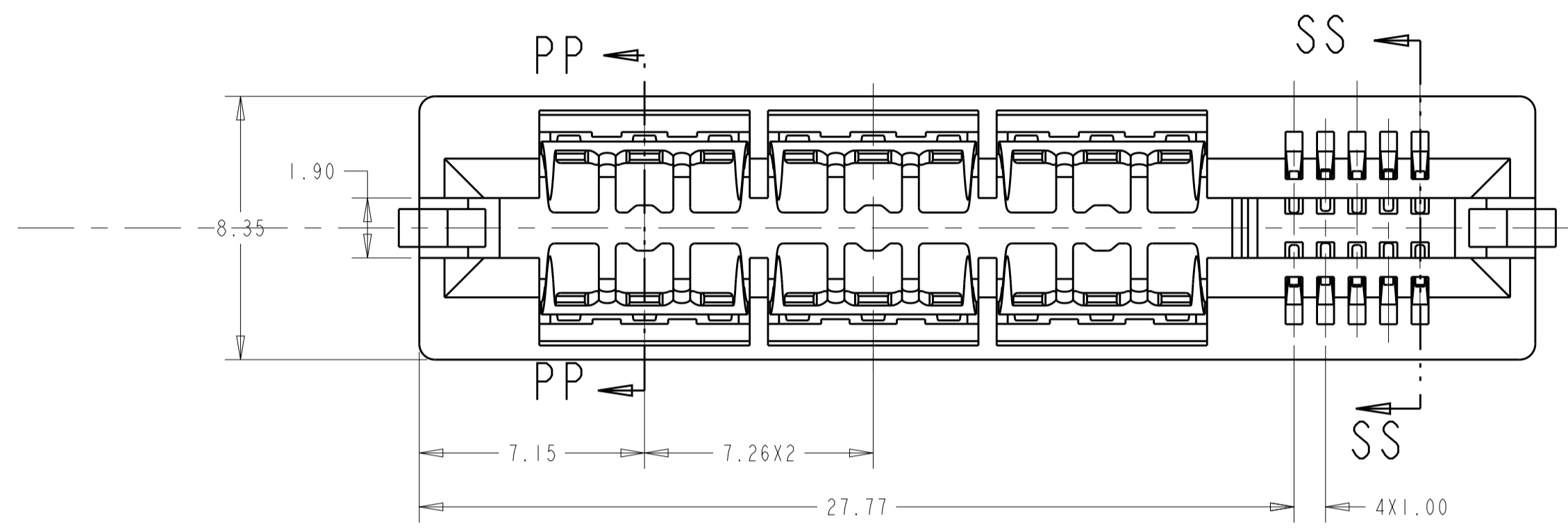


REVISIONS				
P	LTN	DESCRIPTION	DATE	APPROV
A		FIRST RELEASE	30AUG2016	SZ SZ

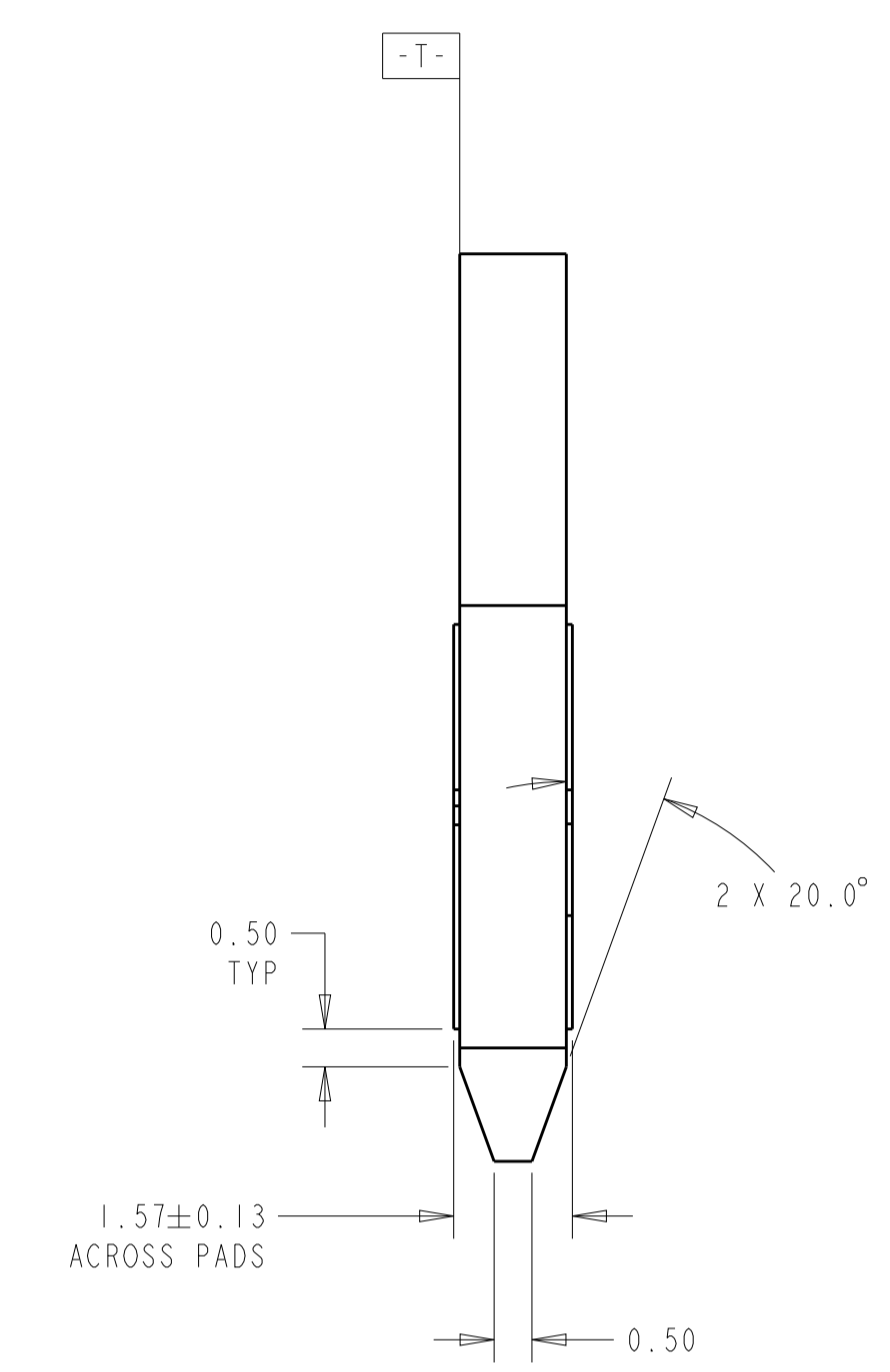
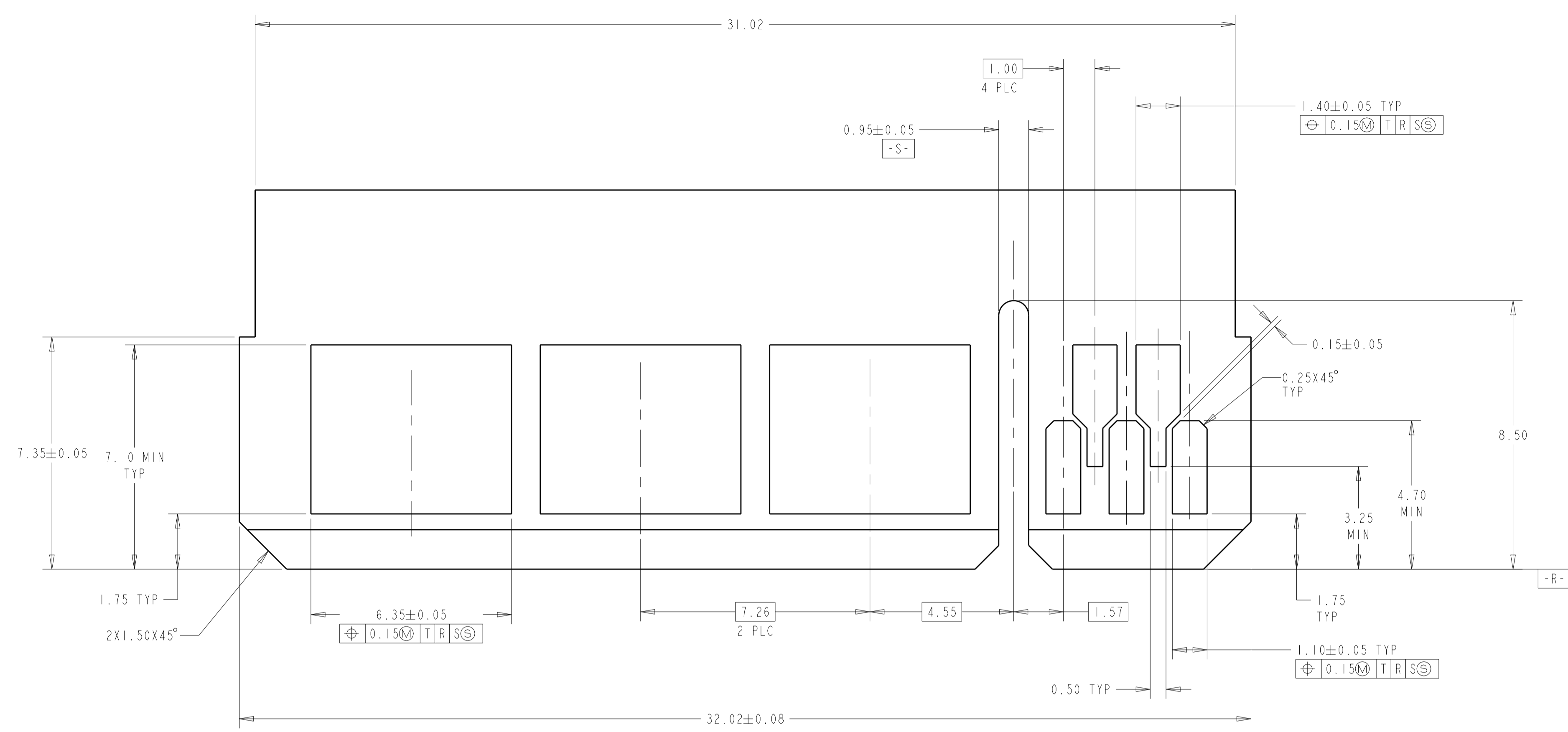
1. MATERIAL: HOUSING - THERMOPLASTIC, GLASS REINFORCED. COLOR: BLACK
CONTACT - COPPER ALLOY
2. FINISH: CONTACT - GOLD PLATED OVER NICKEL.
SOLDER TAILS - MATTE TIN OVER NICKEL
3. CONNECTOR ASSEMBLY MARKED WITH PART NUMBER AND DATE CODE IN THE APPROXIMATE AREA SHOWN
4. DATUMS AND BASIC DIMENSIONS TO BE ESTABLISHED BY CUSTOMER
5. MANUFACTURING TOLERANCE FOR 1.07mm DIAMETER FINISHED HOLE:
DRILLED HOLE = 1.15+/-0.03mm
COPPER PLATE = 0.050/0.025mm (MAX HARDNESS 150 KNOOP)
TIN/LEAD PLATE (HASL) = 0.010/0.004mm
6. MANUFACTURING TOLERANCE FOR 0.70mm DIAMETER FINISHED HOLE:
DRILLED HOLE = 0.78+/-0.03mm
COPPER PLATE = 0.050/0.025mm (MAX HARDNESS 150 KNOOP)
TIN/LEAD PLATE (HASL) = 0.010/0.004mm



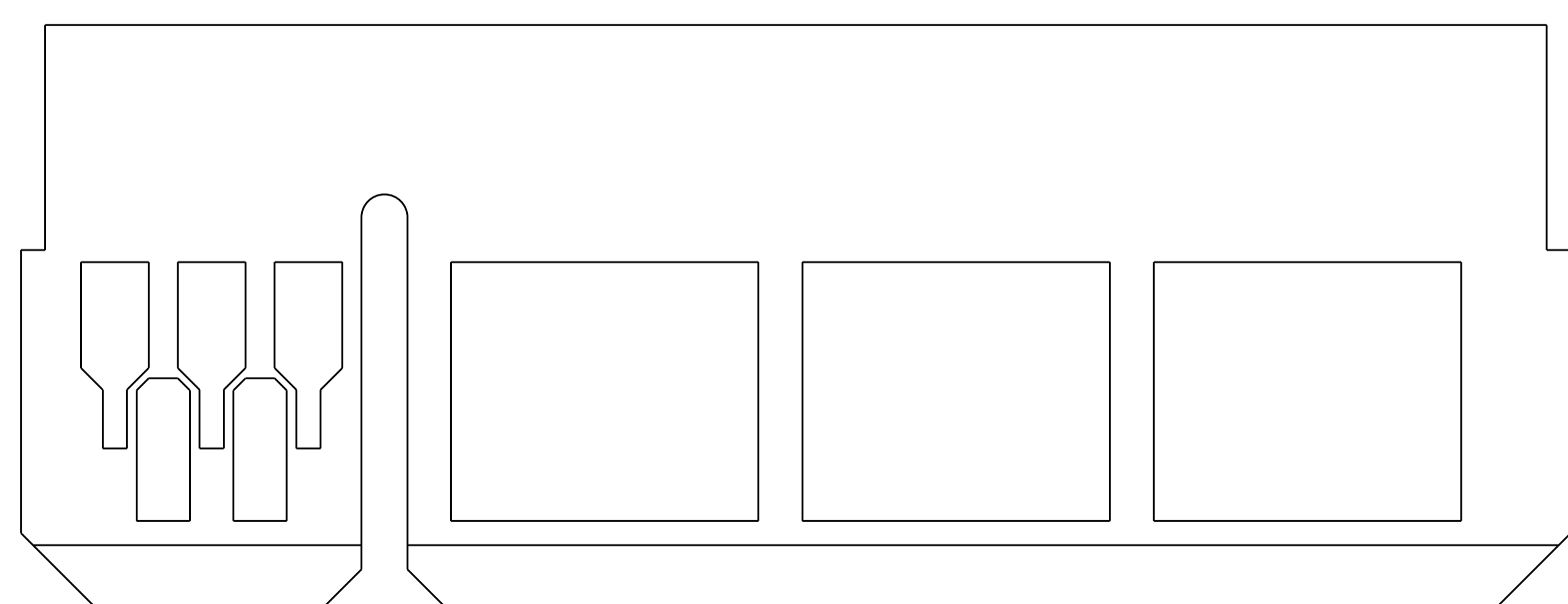
PART 2204072-1

THIS DRAWING IS A CONTROLLED DOCUMENT.		DWN	05APR2012	STE TE Connectivity	
DIMENSIONS:		CL A WENSEL	05APR2012		
mm		CHS D DEE PAUGH	05APR2012		
TOLERANCES UNLESS OTHERWISE SPECIFIED:		APV S HELCKINGER	05APR2012		
0 PLC	±	PRODUCT SPEC		CONNECTOR ASSEMBLY, MULTI-BEAM CE POWER/SIGNAL, VERTICAL, EYE OF THE NEEDLE	
1 PLC	±0.5	APPLICATION SPEC			
2 PLC	±0.25	SIZE	A1	CUSTOMER DRAWING	
3 PLC	±	CAGE CODE	00779		
4 PLC	±	DRAWING NO	2204072	SCALE	3:1
ANGLES	±	WEIGHT		SHEET	1 OF 3
FINISH	±	RESTRICTED TO		REV	A

REVISIONS				
P.	LTN.	DESCRIPTION	DATE	APVD.
-	-	SEE SHEET 1	-	-



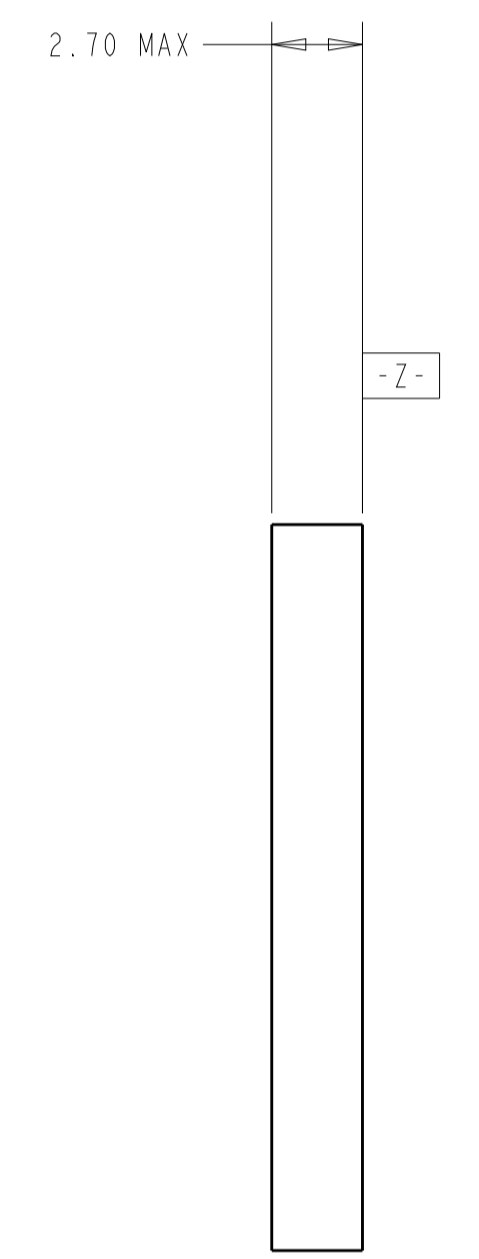
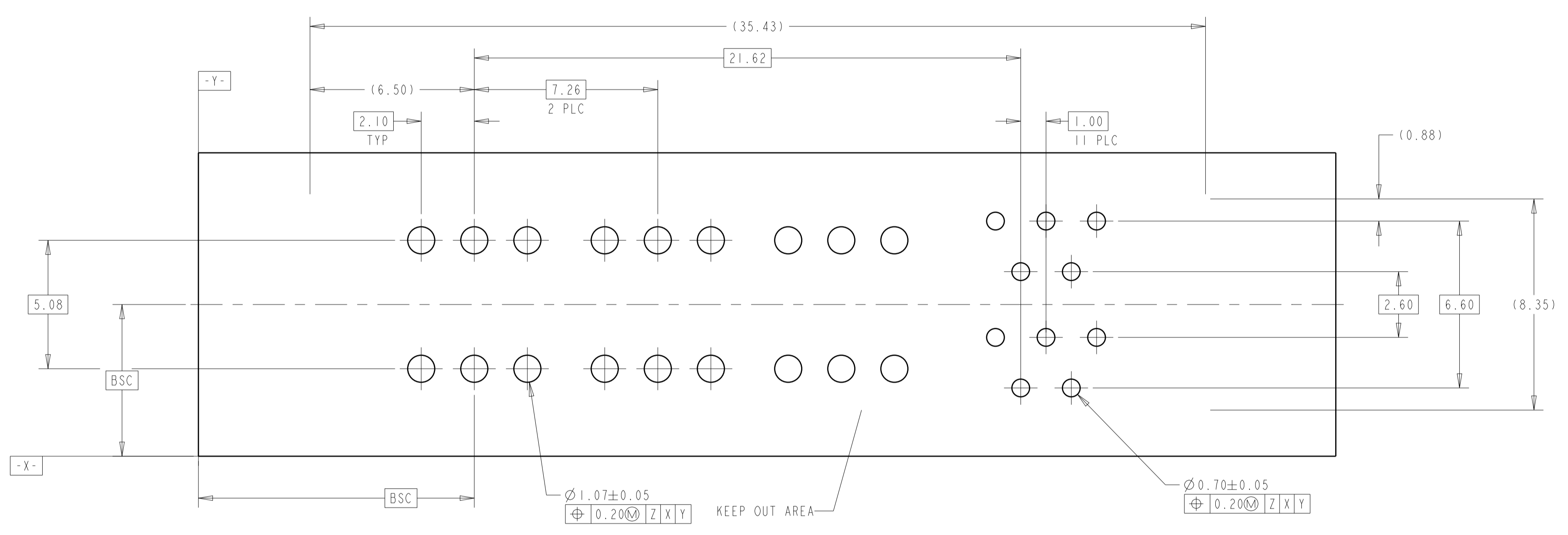
RECOMMENDED MATING CARD EDGE CONFIGURATION



RECOMMENDED MATING CARD EDGE CONFIGURATION
 SECOND SIDE SHOW

THIS DRAWING IS A CONTROLLED DOCUMENT.		DWN L.A.WENSEL 05APR2012	TE Connectivity
DIMENSIONS: mm		CHK D.DEFIRAUGH 05APR2012	
TOLERANCES UNLESS OTHERWISE SPECIFIED:		APVD S.FLICKINGER 05APR2012	NAME
0 PLC ±	1 PLC ±0.3	PRODUCT SPEC	CONNECTOR ASSEMBLY, MULTI-BEAM CE
2 PLC ±0.13	3 PLC ±	APPLICATION SPEC	POWER/SIGNAL, VERTICAL,
4 PLC ±	ANGLES ±0.5°	WEIGHT	EYE OF THE NEEDLE
MATERIAL SEE NOTE 1	FINISH SEE NOTE 2	SIZE CAGE CODE DRAWING NO	RESTRICTED TO
CUSTOMER DRAWING		A1 00779 C=2204072	-
SCALE 4:1		SHEET 2 OF 3	REV A

REVISIONS				
P.	LTN	DESCRIPTION	DATE	APVD
-	-	SEE SHEET 1	-	-



RECOMMEND FOOTPRINT

THIS DRAWING IS A CONTROLLED DOCUMENT.		DWN L.A. WENSEL CHK D. DEFIBAUGH APVD S. FLICKINGER	05APR2012 05APR2012 05APR2012	 TE Connectivity	NAME CONNECTOR ASSEMBLY, MULTI-BEAM CE POWER/SIGNAL, VERTICAL, EYE OF THE NEEDLE
DIMENSIONS:	TOLERANCES UNLESS OTHERWISE SPECIFIED:	PRODUCT SPEC	APPLICATION SPEC		
mm	0 PLC ± 1 PLC ±0.3 2 PLC ±0.13 3 PLC ± 4 PLC ±	FINISH	ANGLES ±6°	WEIGHT	RESTRICTED TO
MATERIAL SEE NOTE 1	FINISH SEE NOTE 2	CUSTOMER DRAWING	SCALE 4:1	SHEET 3 OF 3	REV A