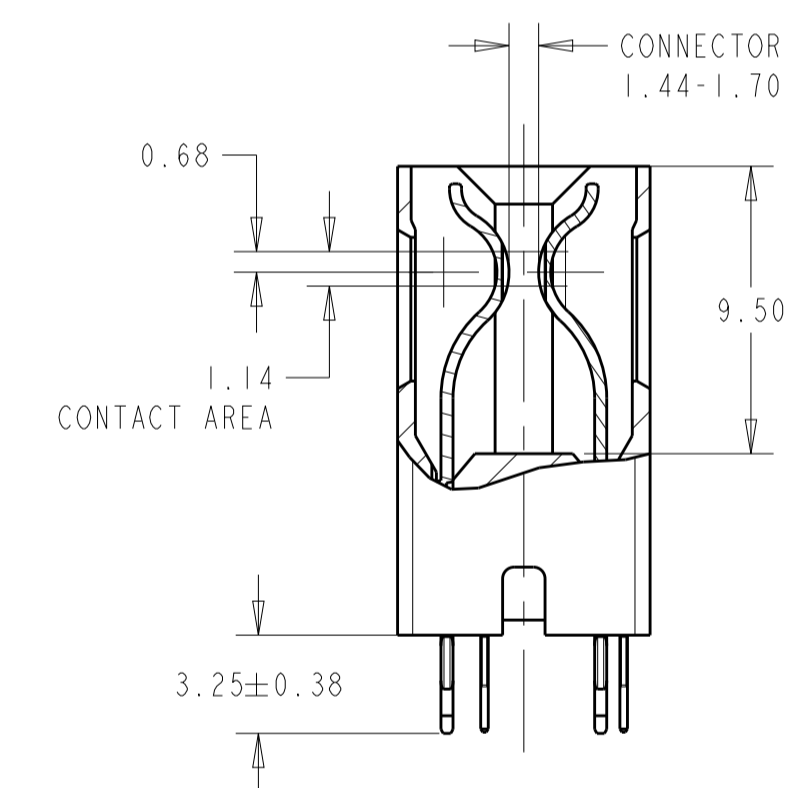
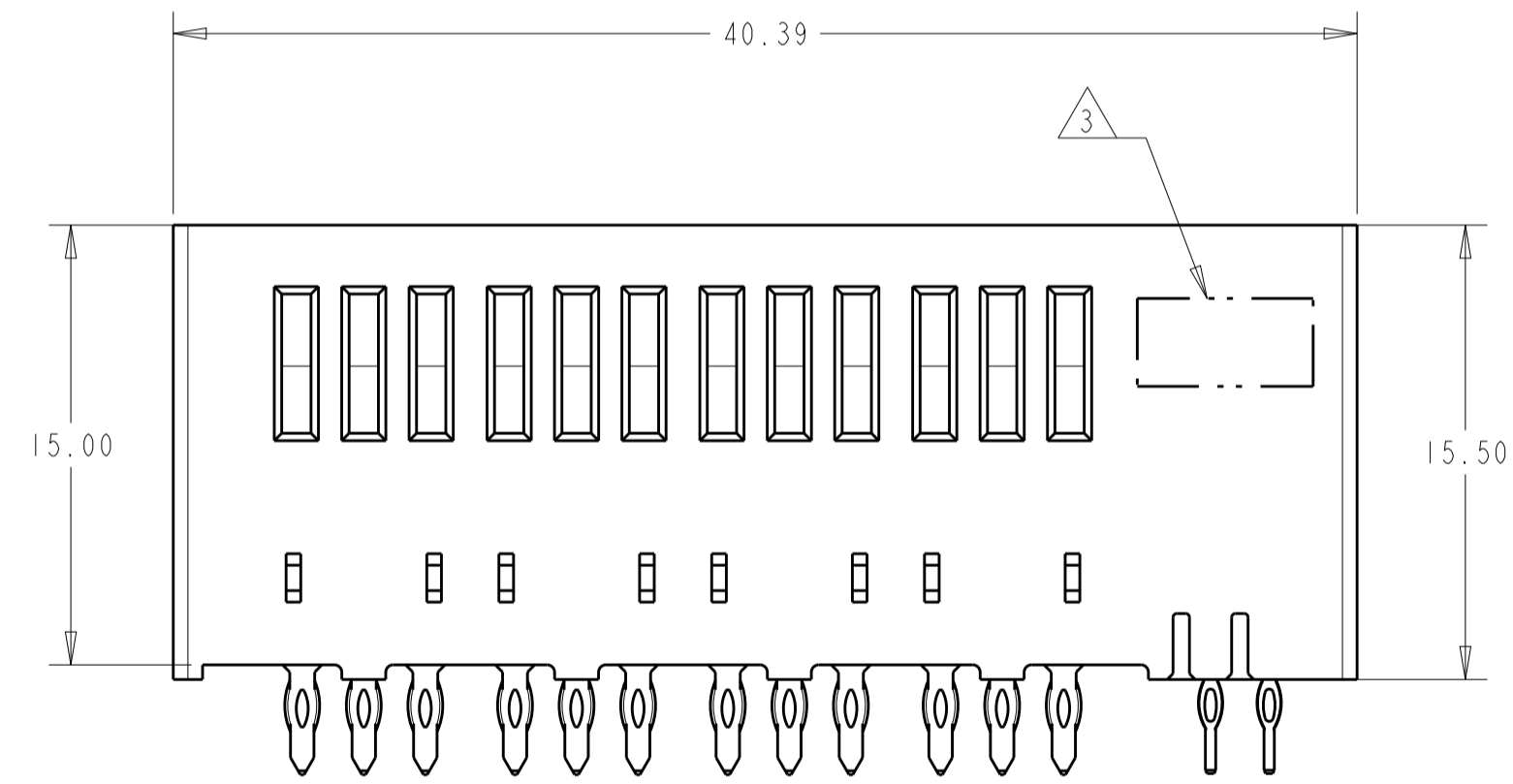
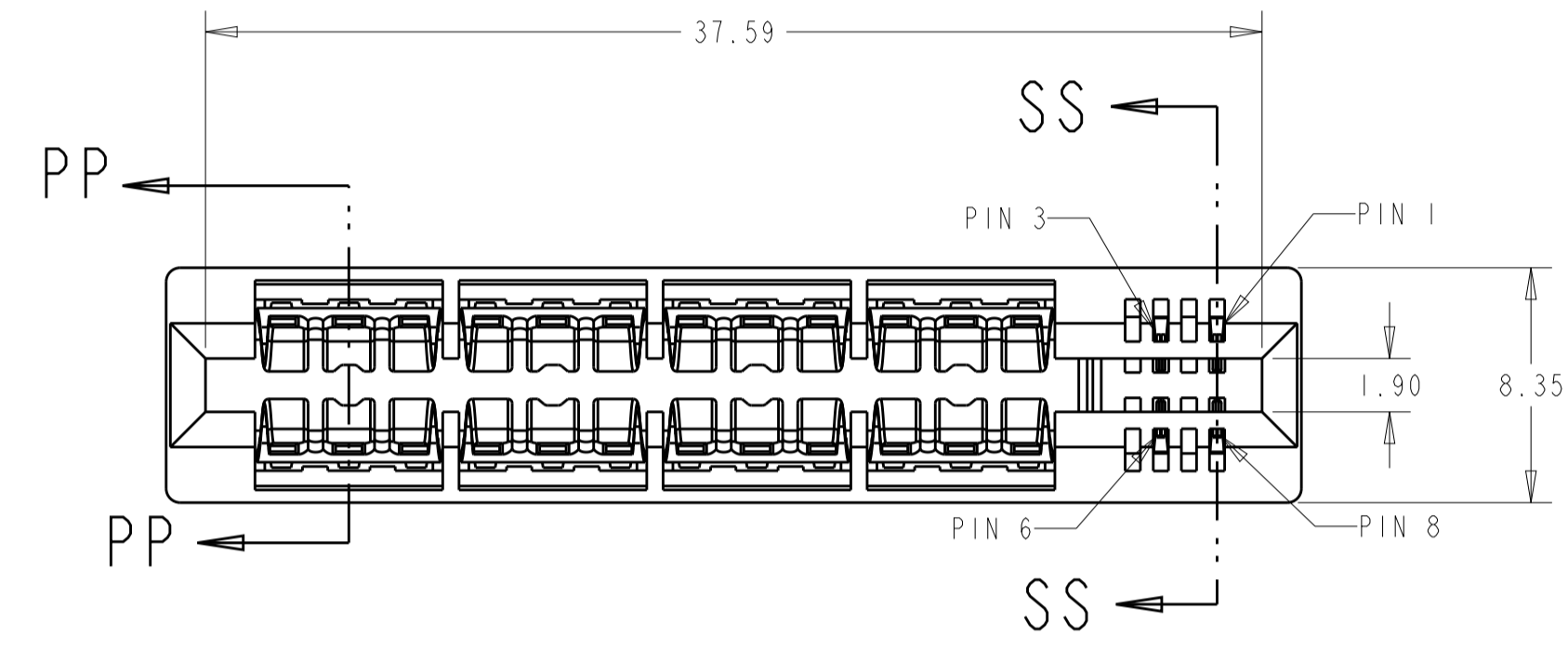
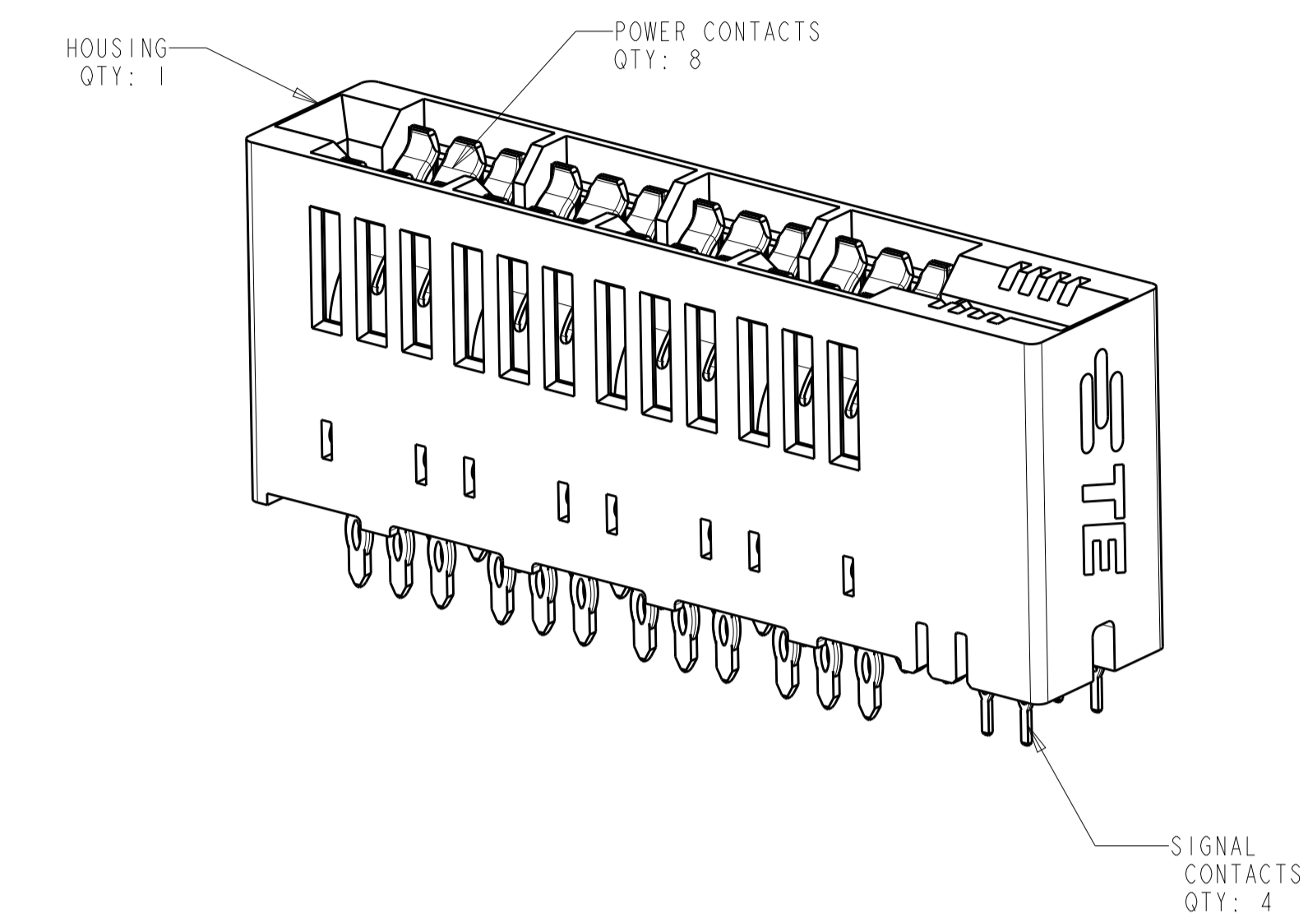
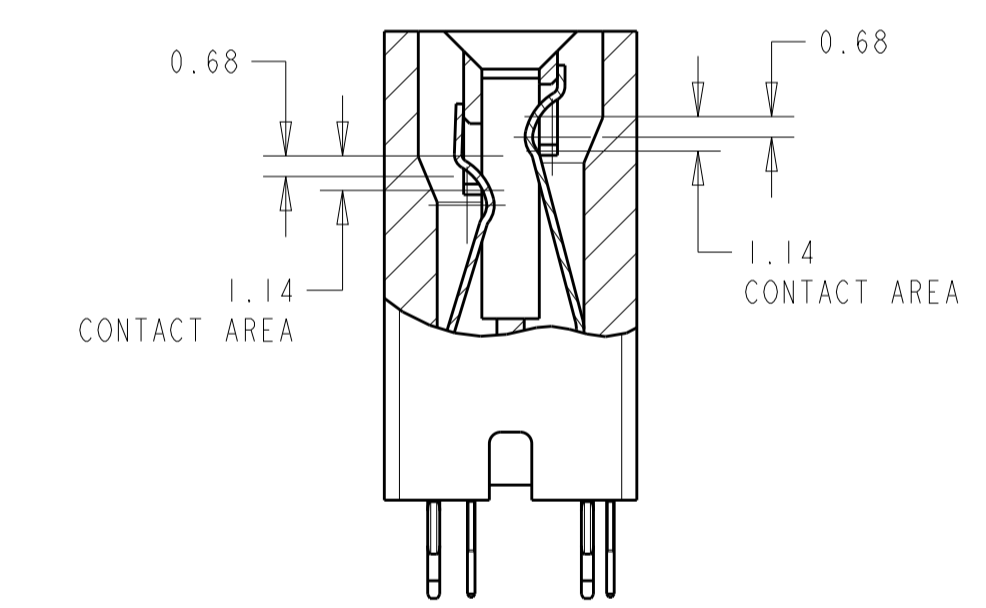


LOC		DIST		REVISIONS			
AA	00	P	LTH	DESCRIPTION	DATE	DWN	APVD
		A		FIRST RELEASE	30AUG2016	SZ	SZ

- MATERIAL: HOUSING - THERMOPLASTIC, GLASS REINFORCED, COLOR: BLACK  
CONTACT - COPPER ALLOY
- FINISH: CONTACT - GOLD PLATED OVER NICKEL  
SOLDER TAILS - MATTE TIN OVER NICKEL
- CONNECTOR ASSEMBLY MARKED WITH PART NUMBER AND DATE CODE IN THE APPROXIMATE AREA SHOWN
- DATUMS AND BASIC DIMENSIONS TO BE ESTABLISHED BY CUSTOMER
- MANUFACTURING TOLERANCE FOR 1.07mm DIAMETER FINISHED HOLE:  
DRILLED HOLE = 1.16+/-0.03mm  
COPPER PLATE = 0.050/0.025mm (MAX HARDNESS 150 KNOOP)  
TIN/LEAD PLATE (HASL) = 0.010/0.004mm
- MANUFACTURING TOLERANCE FOR 0.70mm DIAMETER FINISHED HOLE:  
DRILLED HOLE = 0.79+/-0.03mm  
COPPER PLATE = 0.050/0.025mm (MAX HARDNESS 150 KNOOP)  
TIN/LEAD PLATE (HASL) = 0.010/0.004mm



SECTION PP-PP  
POWER CONTACTS



SECTION SS-SS  
SIGNAL CONTACTS

PIN 1, 3, 6, 8	2 X 4 POWER 2 X 4 SIGNAL	2212112-1
SELECT LOADED	DESCRIPTION	PART NUMBER

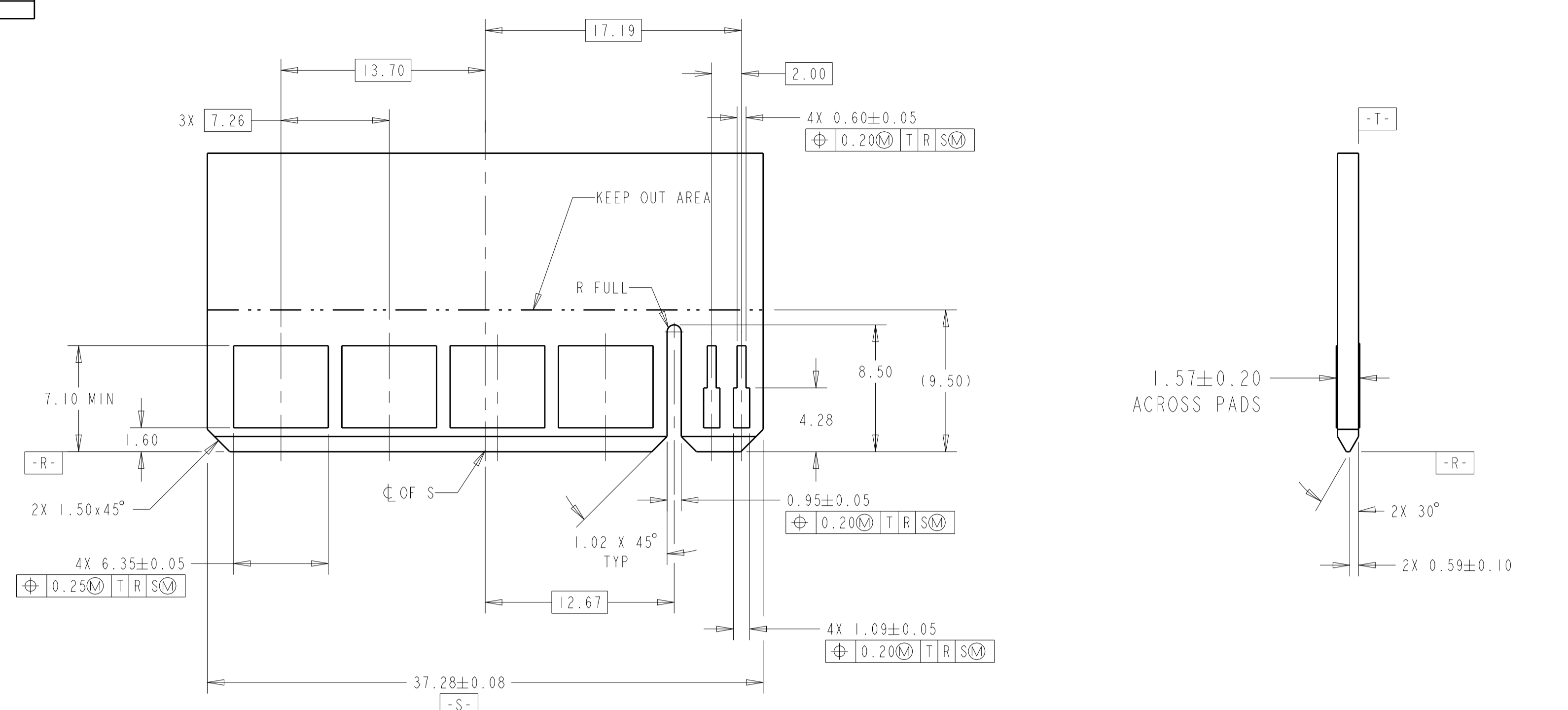
THIS DRAWING IS A CONTROLLED DOCUMENT. DWN: H. A. WENSEL 07NOV2012  
 CHG: D. DEE (RAIGH) 07NOV2012  
 APVD: S. HELCKINGER 07NOV2012

TE CONNECTIVITY  
**PRELIMINARY**

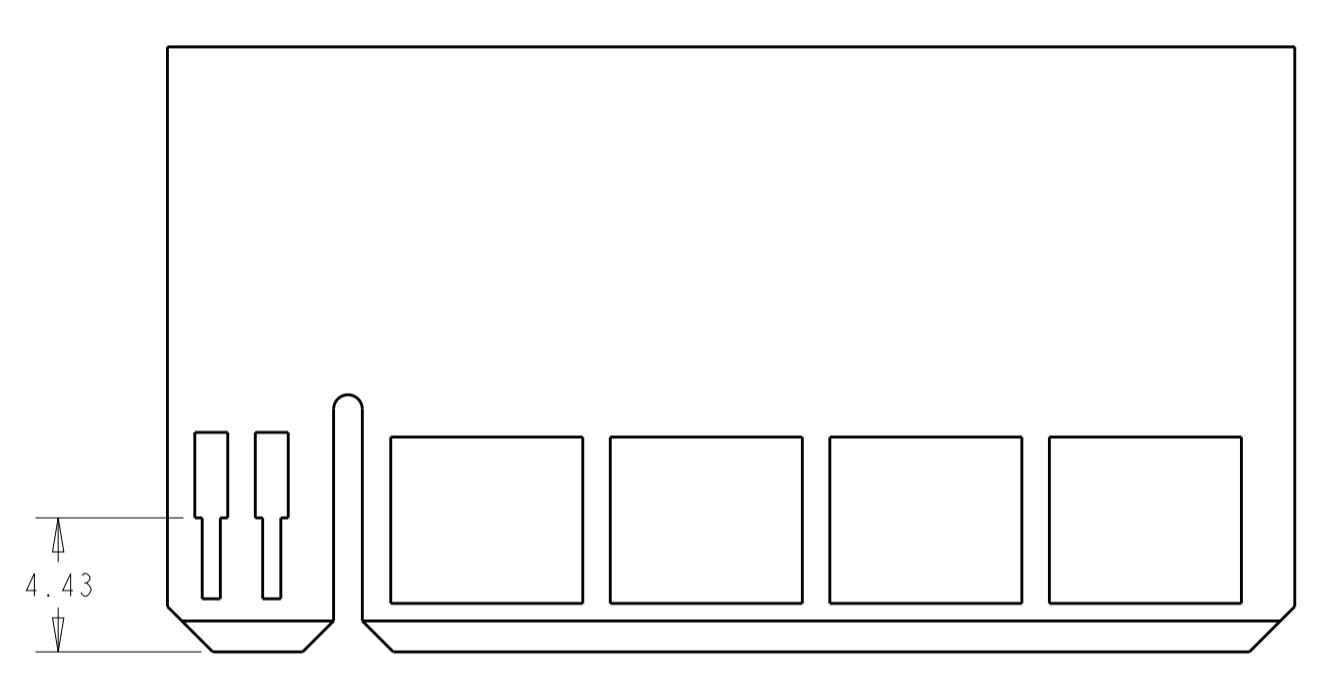
CONNECTOR ASSEMBLY, MULTI-BEAM CE, POWER/SIGNAL, VERTICAL, PRESS FIT, SELECT LOADED

DIMENSIONS: mm 	TOLERANCES UNLESS OTHERWISE SPECIFIED: 0 PLC ± 1 PLC ±0.5 2 PLC ±0.25 3 PLC ± 4 PLC ± ANGLES ±6°	MATERIAL: SEE NOTE 1 FINISH: SEE NOTE 2	WEIGHT: - CUSTOMER DRAWING	SIZE: A1 CAGE CODE: 00779 DRAWING NO: 2212112	RESTRICTED TO: - SCALE: 4:1 SHEET: 1 OF 2 REV: A
-----------------------	--	--	-------------------------------	---	---

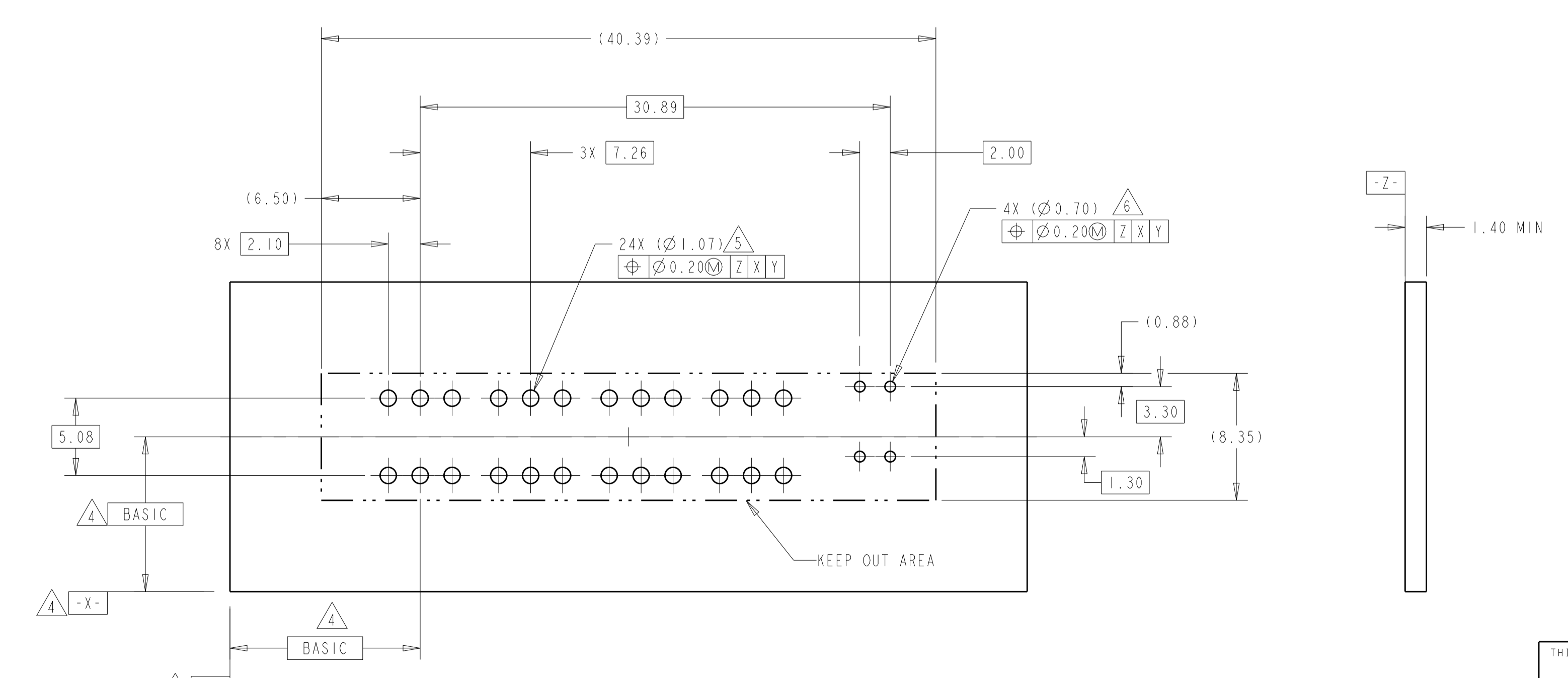
LOC	DIST	REVISIONS					
		P	LTN	DESCRIPTION	DATE	DWN	APVD
AA	00	-	-	SEE SHEET 1	-	-	-



RECOMMENDED MATING BOARD EDGE CONFIGURATION  
 (PRIMARY SIDE SHOWN)



RECOMMENDED MATING BOARD EDGE CONFIGURATION  
 (SECONDARY SIDE SHOWN)



RECOMMENDED PC BOARD HOLE LAYOUT  
 COMPONENT SIDE

THIS DRAWING IS A CONTROLLED DOCUMENT.		DWN L.A.WENSEL 07NOV2012	TE Connectivity										
DIMENSIONS: mm		CHK D.DEFIRAUGH 07NOV2012											
TOLERANCES UNLESS OTHERWISE SPECIFIED:		APVD S.FLICKINGER 07NOV2012	NAME CONNECTOR ASSEMBLY, MULTI-BEAM CE, POWER/SIGNAL, VERTICAL, PRESS FIT, SELECT LOADED										
<table border="1"> <tr> <td>0 PLC</td> <td>±0.3</td> </tr> <tr> <td>1 PLC</td> <td>±0.13</td> </tr> <tr> <td>2 PLC</td> <td>±0.13</td> </tr> <tr> <td>3 PLC</td> <td>±0.13</td> </tr> <tr> <td>4 PLC</td> <td>±0.13</td> </tr> </table>		0 PLC	±0.3	1 PLC	±0.13	2 PLC	±0.13	3 PLC	±0.13	4 PLC	±0.13	PRODUCT SPEC	SIZE A1
0 PLC	±0.3												
1 PLC	±0.13												
2 PLC	±0.13												
3 PLC	±0.13												
4 PLC	±0.13												
MATERIAL SEE NOTE 1		APPLICATION SPEC	CAGE CODE DRAWING NO 00779 C=2212112										
FINISH SEE NOTE 2		WEIGHT	RESTRICTED TO										
CUSTOMER DRAWING		SCALE 4:1	SHEET 2 OF 2 REV A										