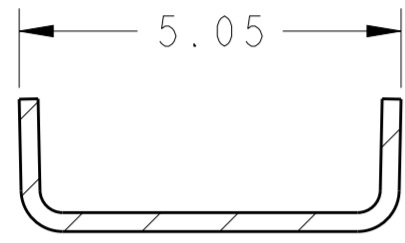
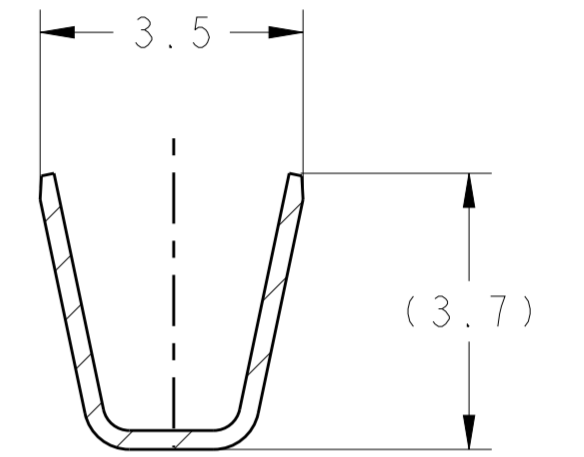
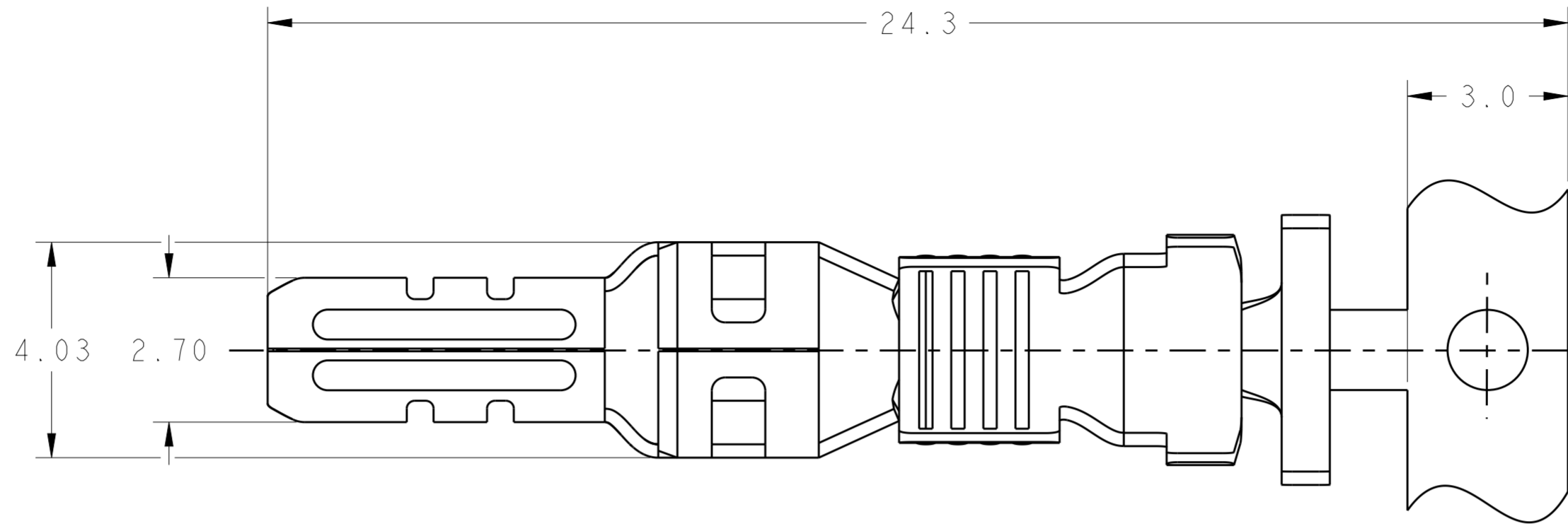


THIS DRAWING IS UNPUBLISHED. RELEASED FOR PUBLICATION 20
 © COPYRIGHT 20 BY - ALL RIGHTS RESERVED.

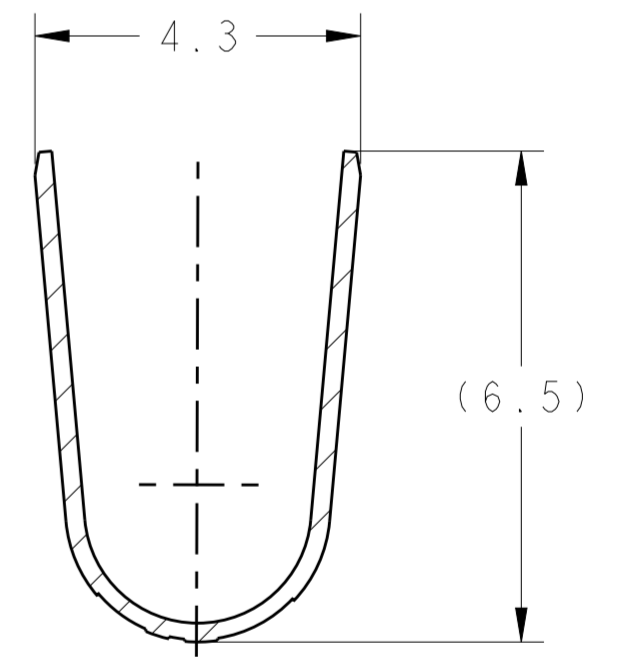
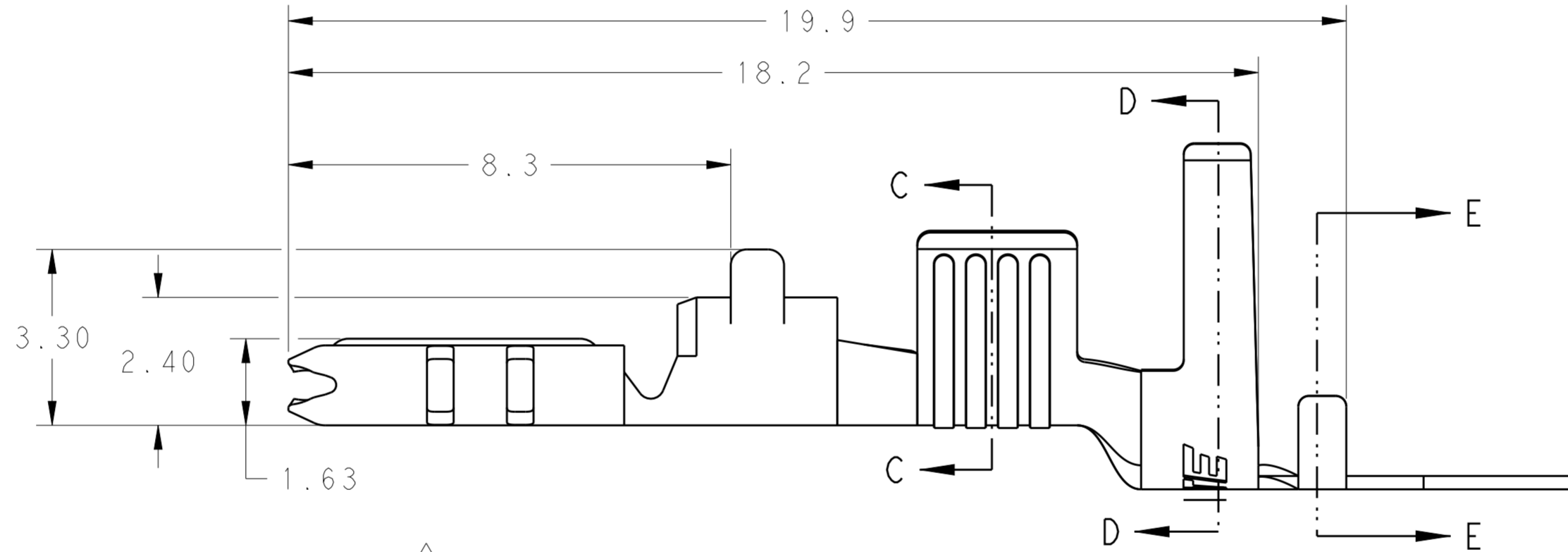
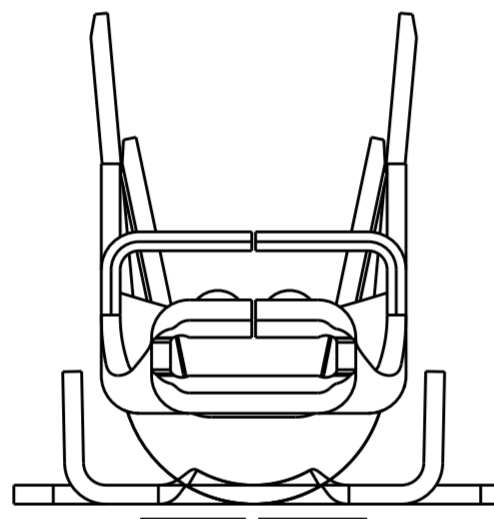
LOC	DIST	REVISIONS					
ES	00	P	LTR	DESCRIPTION	DATE	DWN	APVD
		D2		REVISED PER ECR-16-017426	19DEC2016	BW	RS
		E		REVISED PER ECR-18-003963	05SEP2018	BKW	GJ



SECTION E-E

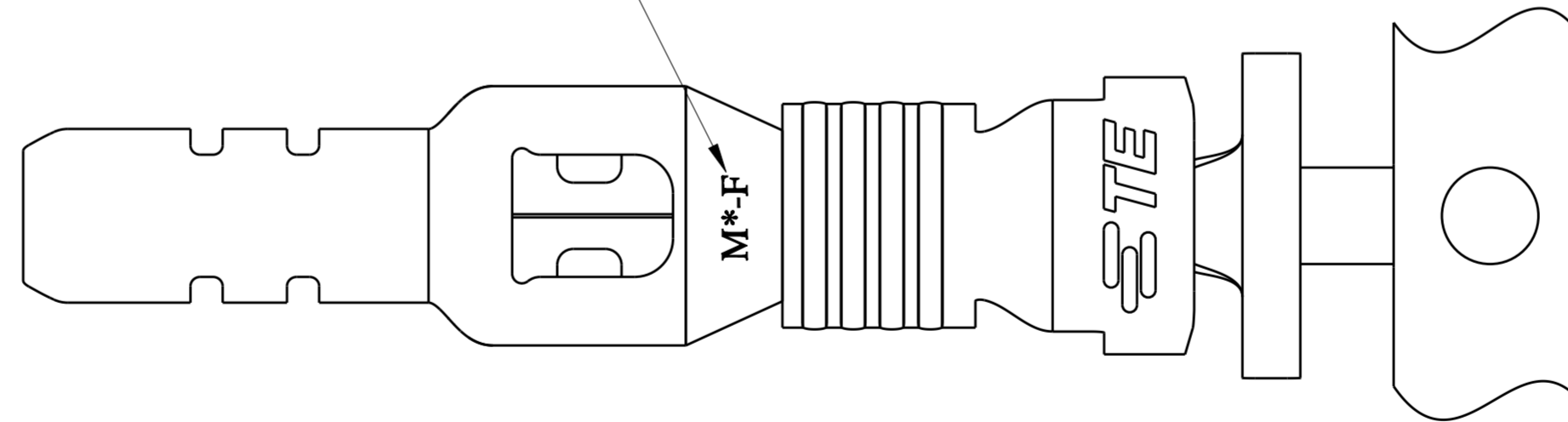


SECTION C-C



SECTION D-D

5 MATERIAL/SIZE MARK



- 1 MATERIAL: COPPER ALLOY, PRE TIN PLATING
- 2 APPLICABLE WIRE 2X18AWG COPPER
- 3 APPLICABLE INSULATION DIAMETER: 2.65~2.95mm
- 4 APPLICABLE MATED CAP HOUSING P/N:
 -1971771-/*-1971774-*/*-1971874-*/
 -1971772-/*-1971775-*/*-1971875-*/
 -2232263-/*-2232264-*/*-2232356-*/
 -2232358-/*-2232359-*/*-2232360-*

5 WIRE SIZE INDICATOR "F" = 2x18 AWG

SUPERCEDED BY 1971788-2

HIGH(150°C)	M0	1971788-2
STANDARD(105°C)	M4	1971788-1
TEMP. RATING	MATERIAL MARK	PART NO

6. This product has not completed validation testing.

THIS DRAWING IS A CONTROLLED DOCUMENT.		DWN TOMMY WU 11JUL2012	STE TE Connectivity	
DIMENSIONS: mm		CHK HAPYE WU 11JUL2012		
TOLERANCES UNLESS OTHERWISE SPECIFIED:		APVD YUJHONG MAO 11JUL2012	NAME	
0 PLC ±-		PRODUCT SPEC	TAB CONTACT POWER TRIPLE LOCK	
1 PLC ±0.5		APPLICATION SPEC	-	
2 PLC ±0.30		108-106118	SIZE	CAGE CODE
3 PLC ±		114-106118	A200779	C-1971788
4 PLC ±		WEIGHT	RESTRICTED TO	
ANGLES ±-		-	-	
FINISH		-	SCALE	SHEET
MATERIAL		-	5:1	1 OF 1
		Customer Drawing		REV E