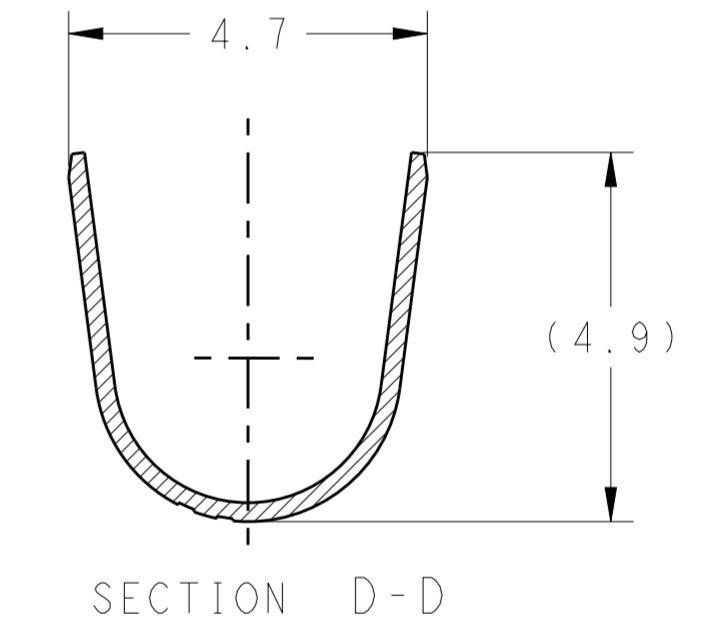
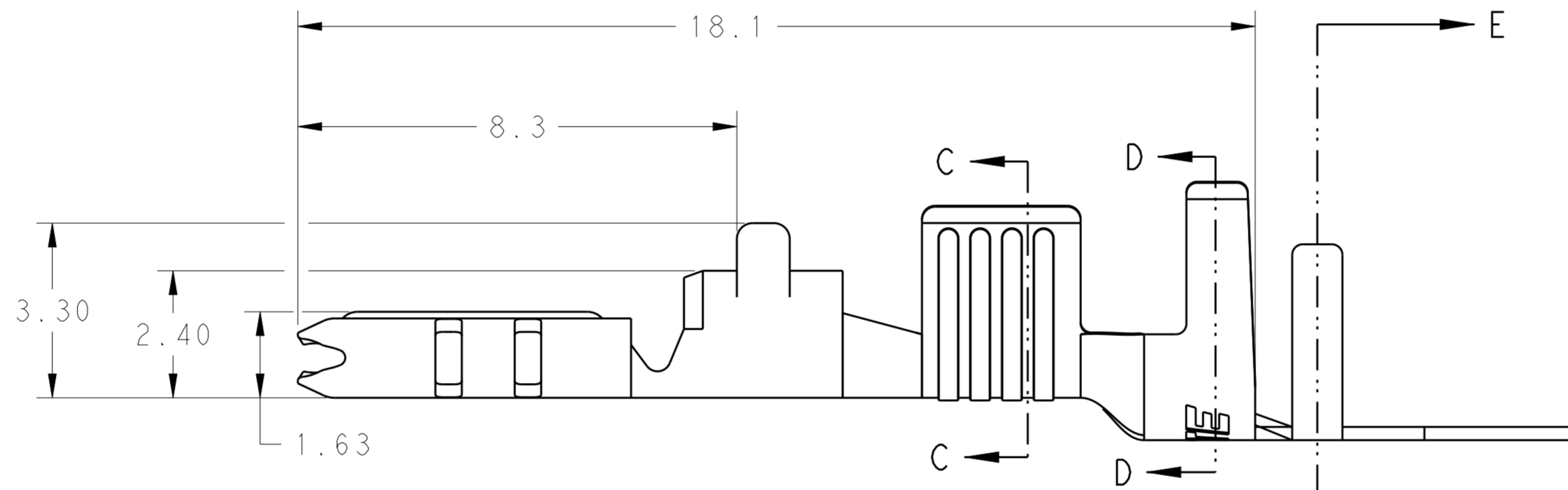
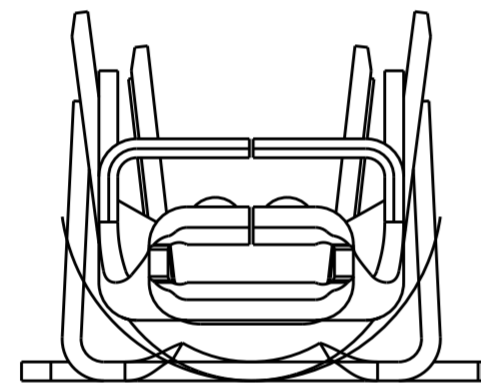
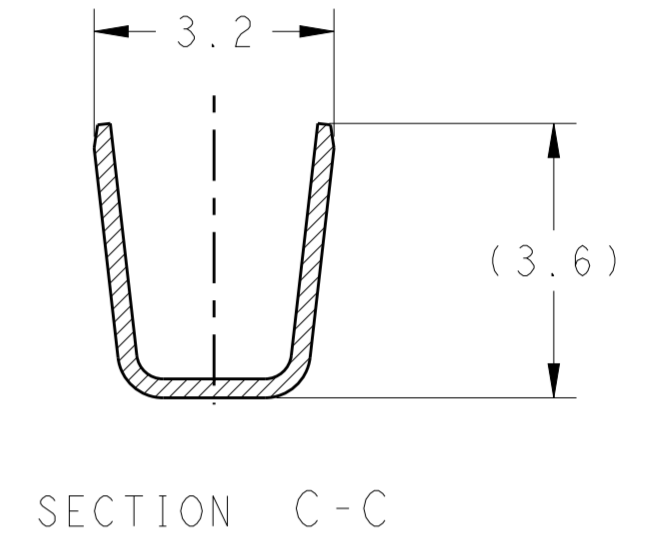
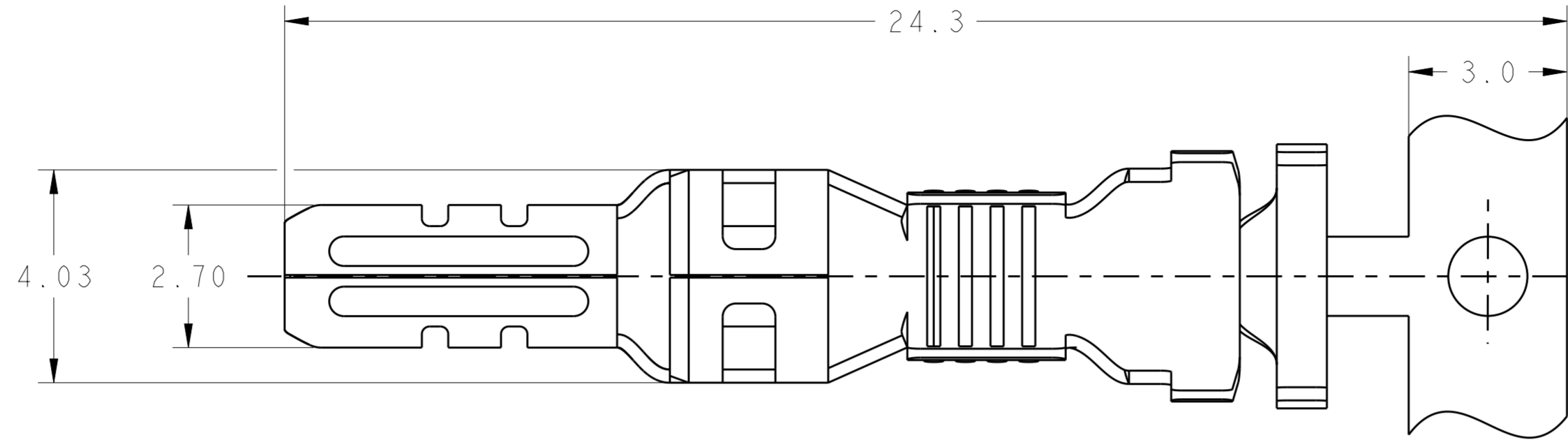
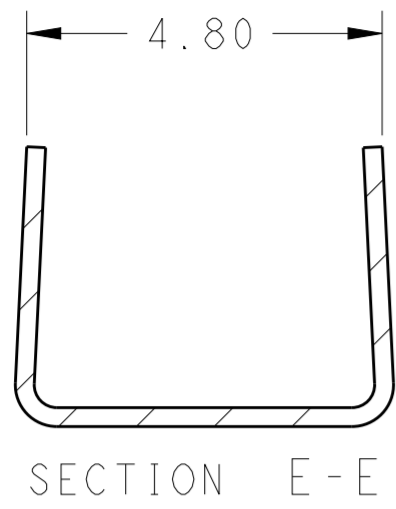


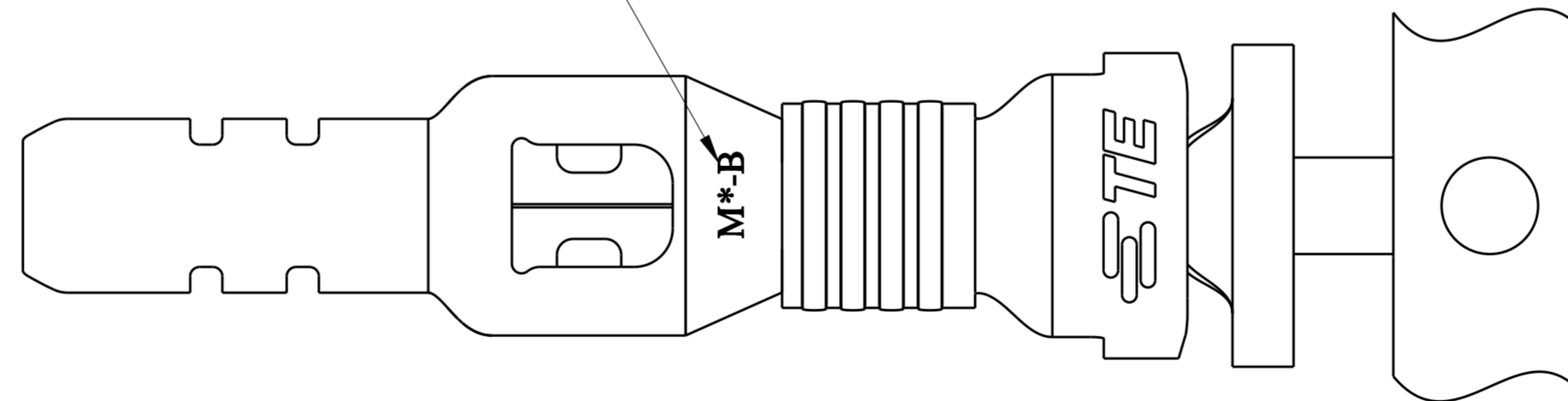
THIS DRAWING IS UNPUBLISHED. RELEASED FOR PUBLICATION 20  
 © COPYRIGHT 20 BY - ALL RIGHTS RESERVED.

LOC ES DIST 00

REVISIONS				
P	LTR	DESCRIPTION	DATE	APVD
C1		REVISED PER ECO-16-016321	14NOV2016	RS GJ
D		REVISED PER ECO-18-004073	24MAY2018	BKW GJ



△ MATERIAL/SIZE MARK



1. APPLICABLE WIRE: 14AWG COPPER STRANDED
2. APPLICABLE INSULATION DIAMETER: 3.40~3.70mm
3. APPLICABLE MATED CAP HOUSING P/N:  
 \*-1971771-\*/\*-1971774-\*/\*-1971874-\*/  
 \*-1971772-\*/\*-1971775-\*/\*-1971875-\*/  
 \*-2232263-\*/\*-2232264-\*/\*-2232356-\*/  
 \*-2232358-\*/\*-2232359-\*/\*-2232360-\*

△ WIRE SIZE INDICATOR "B"=14 AWG

5. This product has not completed validation testing.

COPPER ALLOY	HIGH(150°C)	M0	1971782-2
BRASS	STANDARD(105°C)	M8	1971782-1
MATERIAL	TEMP. RATING	MATERIAL MARK	PART NO

THIS DRAWING IS A CONTROLLED DOCUMENT.		DWN TOMMY WU 11JUL2011	<b>STE</b> TE Connectivity	
DIMENSIONS: mm		CHK HAPYE WU 11JUL2011		
TOLERANCES UNLESS OTHERWISE SPECIFIED:		APVD YUHONG MAO 11JUL2011	NAME	
0 PLC ± -		PRODUCT SPEC	TAB CONTACT POWER TRIPLE LOCK	
1 PLC ±0.5		APPLICATION SPEC	SIZE CAGE CODE DRAWING NO RESTRICTED TO	
2 PLC ±0.30		108-106118	A2100779C-1971782	
3 PLC ±		114-106118	SCALE 5:1 SHEET 1 OF 1 REV D	
4 PLC ANGLES ±		WEIGHT -		
FINISH		Customer Drawing		
MATERIAL SEE TABLE		PRE-TIN		