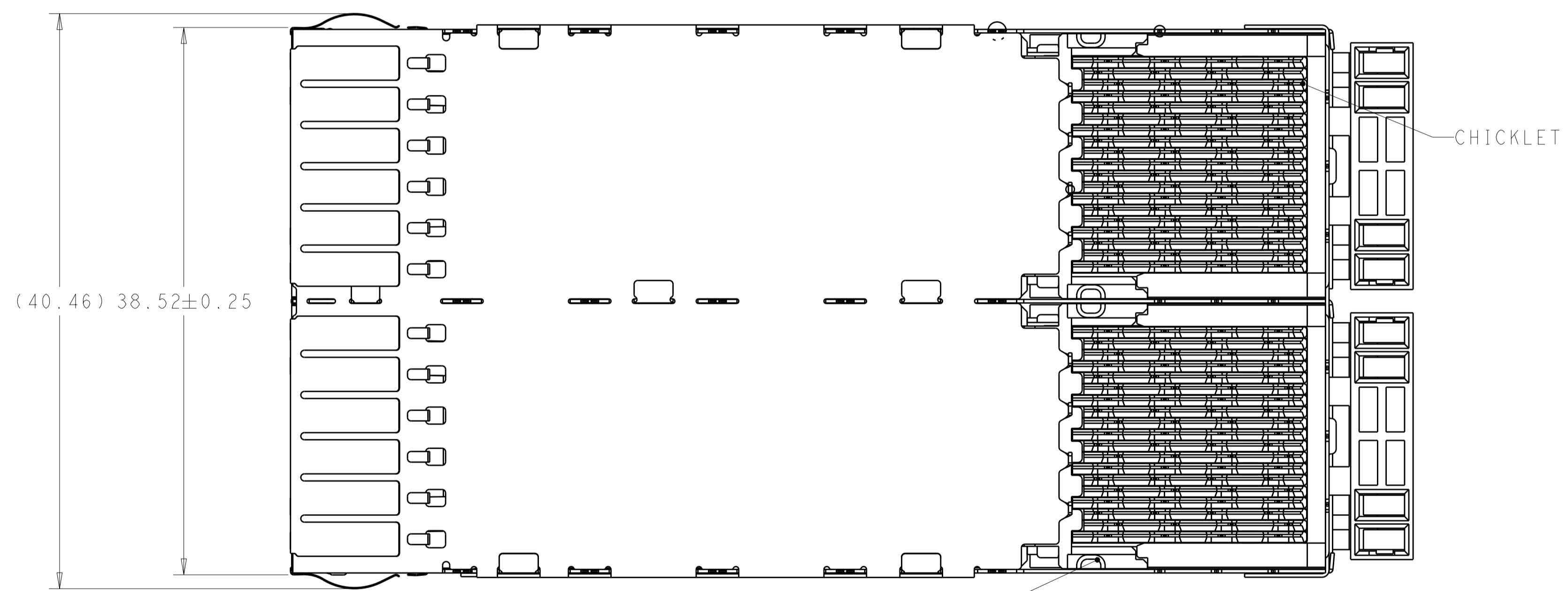
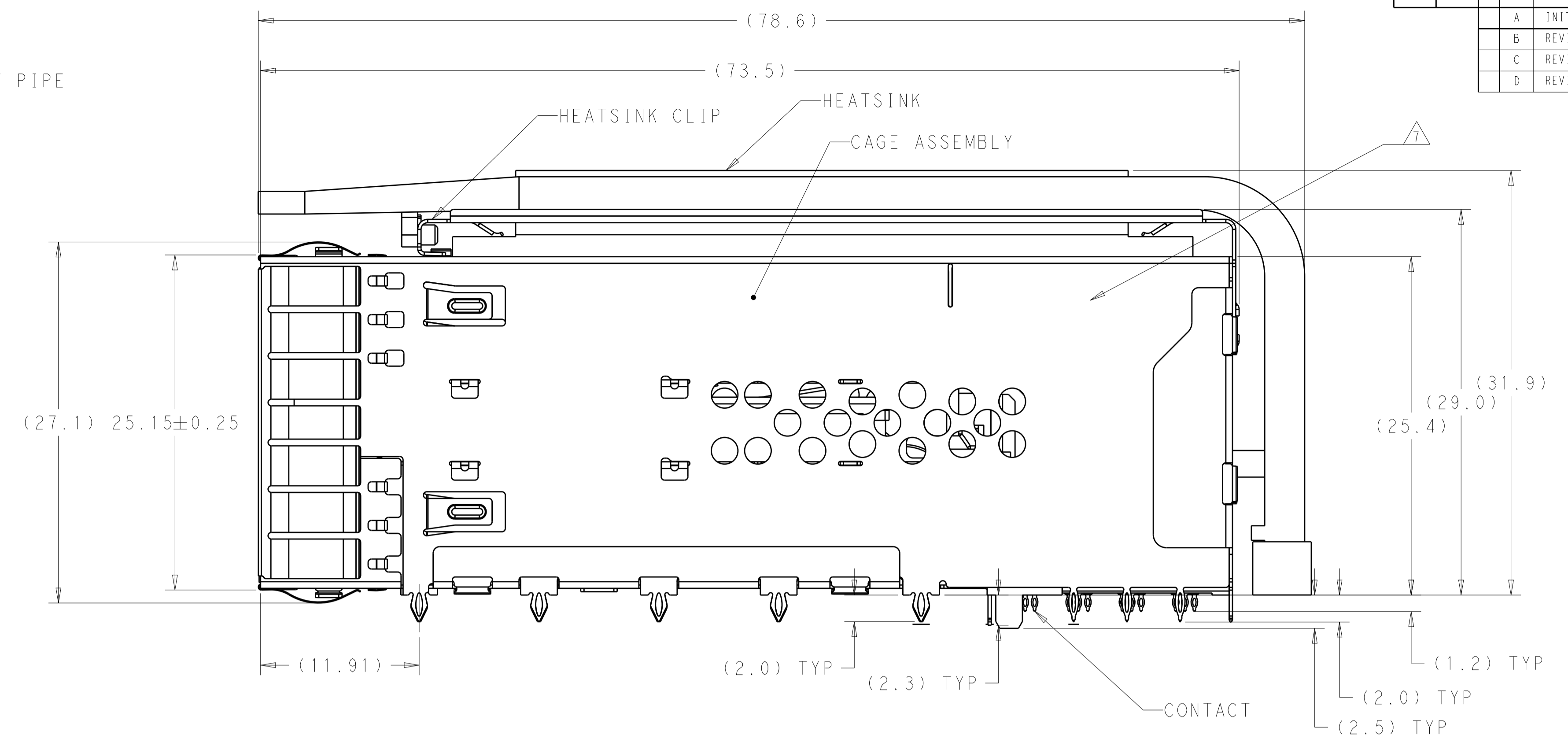
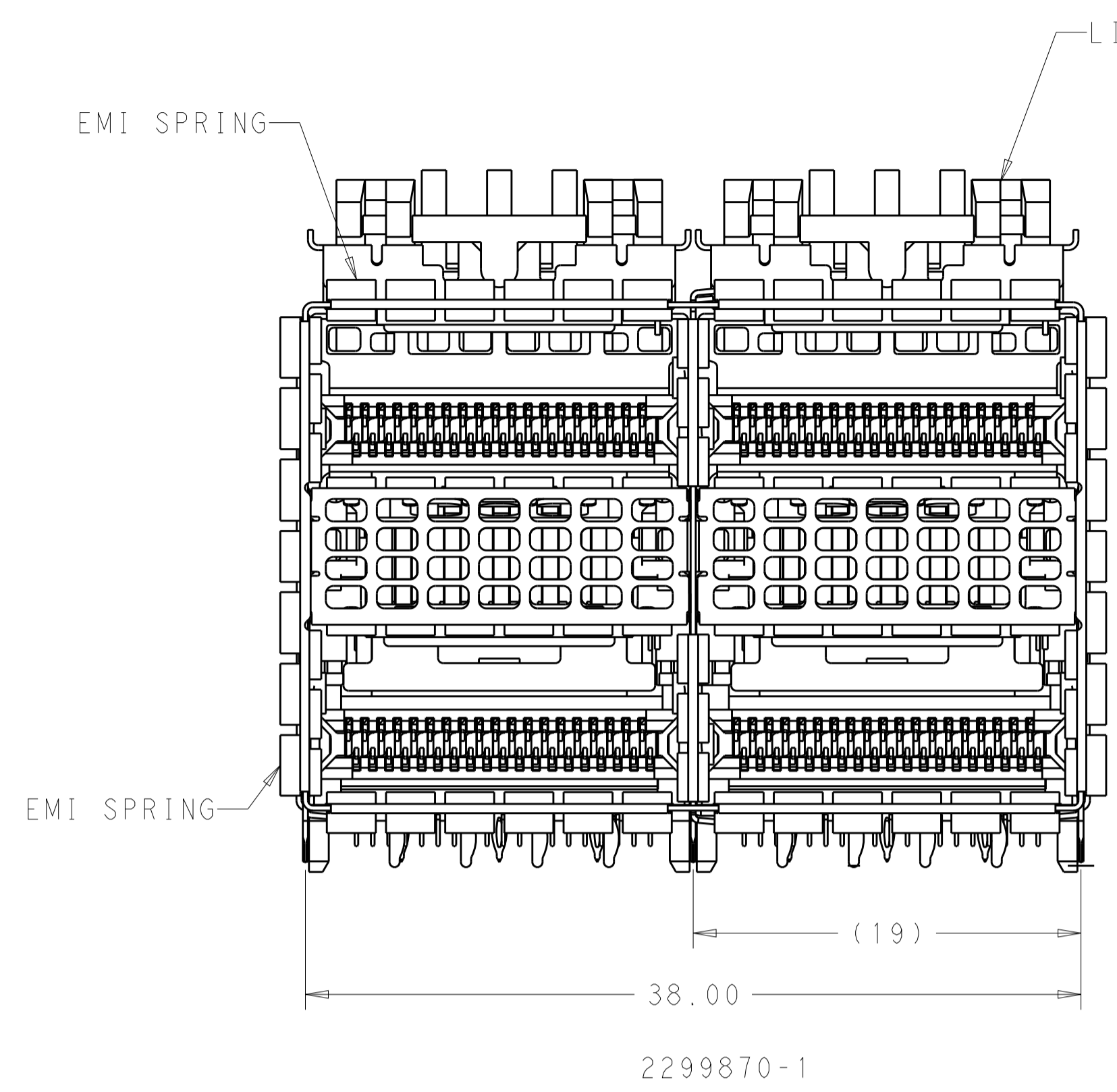


LOC	DIST	REVISIONS					
GP	00	P	LTN	DESCRIPTION	DATE	OWN	APPV
		A		INITIAL RELEASE	13MAR2017	LL	SH
		B		REVISED PER ECO-17-012744	31AUG2017	TX	SH
		C		REVISED PER ECO-18-007431	14MAY2018	TX	SH
		D		REVISED PER ECO-18-011602	23JUL2018	TX	SH



- MATERIALS:  
 CAGE ASSEMBLY- NICKEL SILVER ALLOY PER ASTM B 122.  
 EMI SPRING- COPPER ALLOY, NICKEL PLATED.  
 HOUSING- POLYESTER LCP WITH 94V-0.  
 CHICKLET- POLYESTER LCP WITH 94V-0.  
 CONTACT- COPPER ALLOY.  
 LIGHTPIPE- POLYCARBONATE WITH 94V-0.
- CONTACT FINISH: 0.76µm GOLD ON MATING AREA, 0.7-1.5µm MATT TIN ON COMPLIANT AREA, ALL OVER 1.27µm NICKEL.
- DATUM AND BASIC DIMENSION ESTABLISHED BY CUSTOMER.
- MINIMUM PCB THICKNESS OF 1.57.
- THE ENTIRE AREA OF THE CONNECTOR FOOTPRINT, INDICATED BY THE DASHED LINE, TO BE CONSIDERED THE KEEPOUT AREA FOR COMPONENTS AND TRACES.
- CROSS-HATCHED AREAS REPRESENT ZONES ON THE PCB THAT COME IN CONTACT WITH OR BE IN CLOSE PROXIMITY TO THE PLASTIC HOUSING OR THE CONNECTOR CAGE. INDICATED AREAS TO BE CONSIDERED TRACE FREE.
- PART NUMBER AND DATE CODE MADE IN APPROXIMATE AREA SHOWN.
- HATCHED AREA IS PLACEMENT ZONE FOR LED. LED SHOULD BE CENTERED WITHIN ZONE. RECOMMEND 0805 PACKAGE.
- CONTACT FINISH: 0.08µm MINIMUM GOLD OVER 0.68µm PALLADIUM-NICKEL ON MATING AREA, 0.7-1.5µm MATT TIN ON COMPLIANT AREA, ALL OVER 1.27µm NICKEL.

CONTACT FINISH	DESCRIPTION	PART NUMBER
2	WITH HS & WITH LP	1-2299870-8
2	WITH HS & WITHOUT LP	1-2299870-2
2	WITH HS & WITH LP	1-2299870-0
2	WITH HS & WITH LP	2299870-9
2	WITH HS & WITH LP	2299870-8
2	WITH HS & WITH LP	2299870-7
2	WITH HS & WITHOUT LP	2299870-6
2	WITHOUT UPPER HS OR LP	2299870-5
2	WITHOUT UPPER HS OR LP	2299870-4
2	WITH HS & WITHOUT LP	2299870-3
2	WITH HS & WITHOUT LP	2299870-2
2	WITH HS & WITH LP	2299870-1

THIS DRAWING IS A CONTROLLED DOCUMENT.

OWN: TIM XUE 28JAN2016  
 CHG: SEAN HAN 28JAN2016  
 APVD: SEAN HAN 28JAN2016

DIMENSIONS: mm  
 TOLERANCES UNLESS OTHERWISE SPECIFIED:  
 0 PLC ±  
 1 PLC ±0.25  
 2 PLC ±0.15  
 3 PLC ±  
 4 PLC ±  
 ANGLES ° ±

MATERIAL: SEE NOTE 1  
 FINISH: SEE NOTE 2

WEIGHT: 114-60015  
 CUSTOMER DRAWING

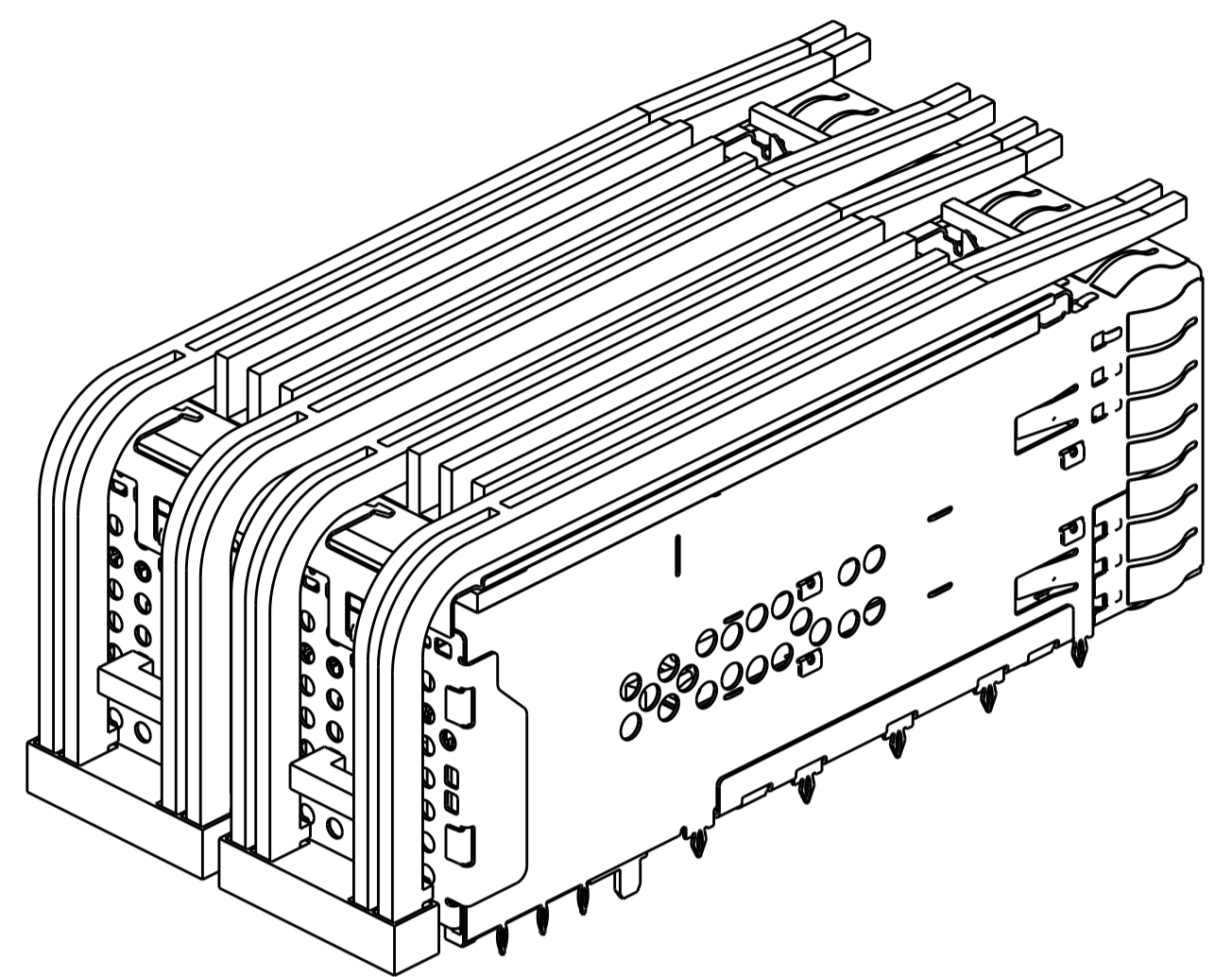
NAME: SEAN HAN  
 PRODUCT SPEC: 108-60102  
 APPLICATION SPEC: 114-60015

SIZE: A1  
 CAGE CODE: 00779  
 DRAWING NO: 2299870

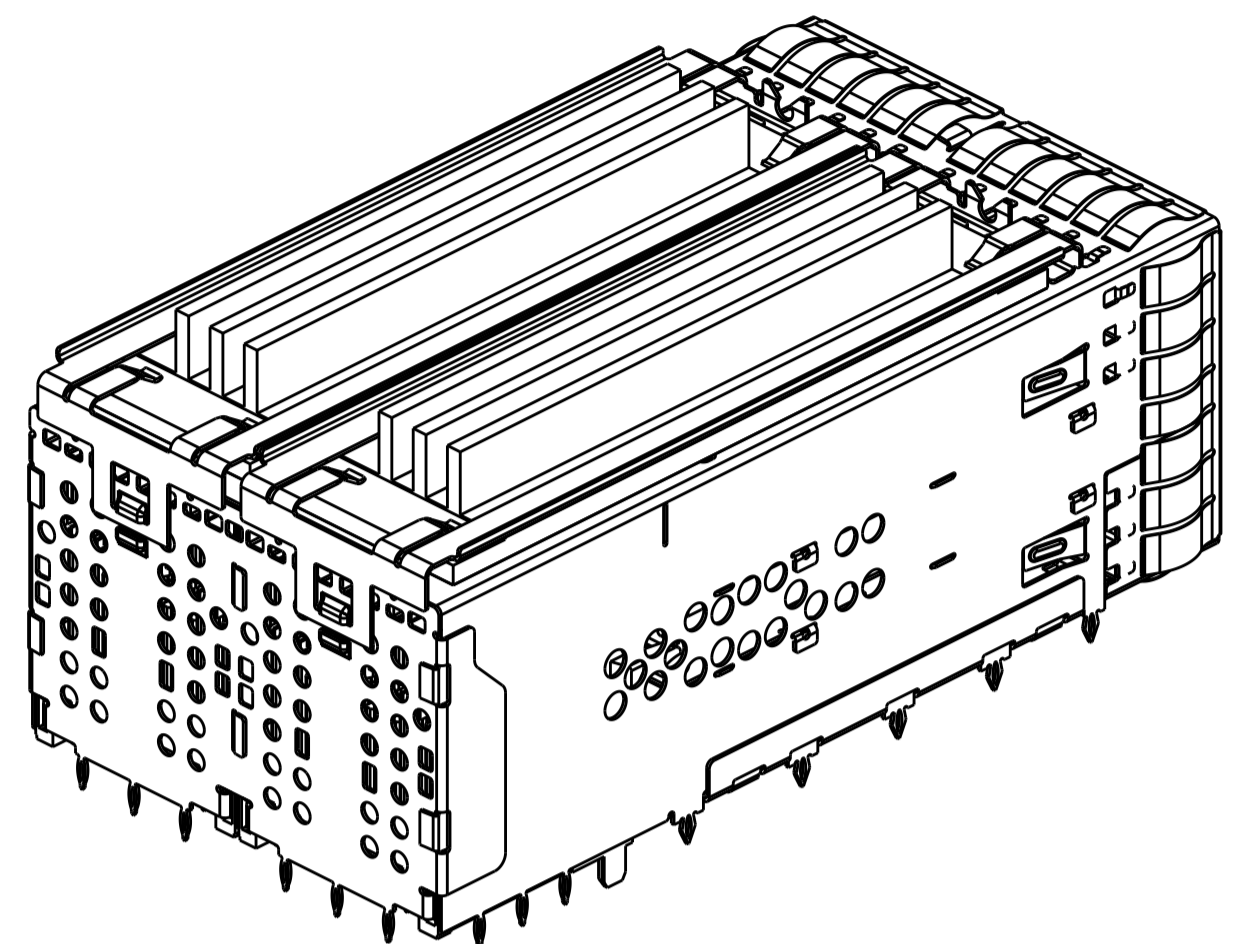
RESTRICTED TO: -

SCALE: 4:1 SHEET 1 OF 11 REV D

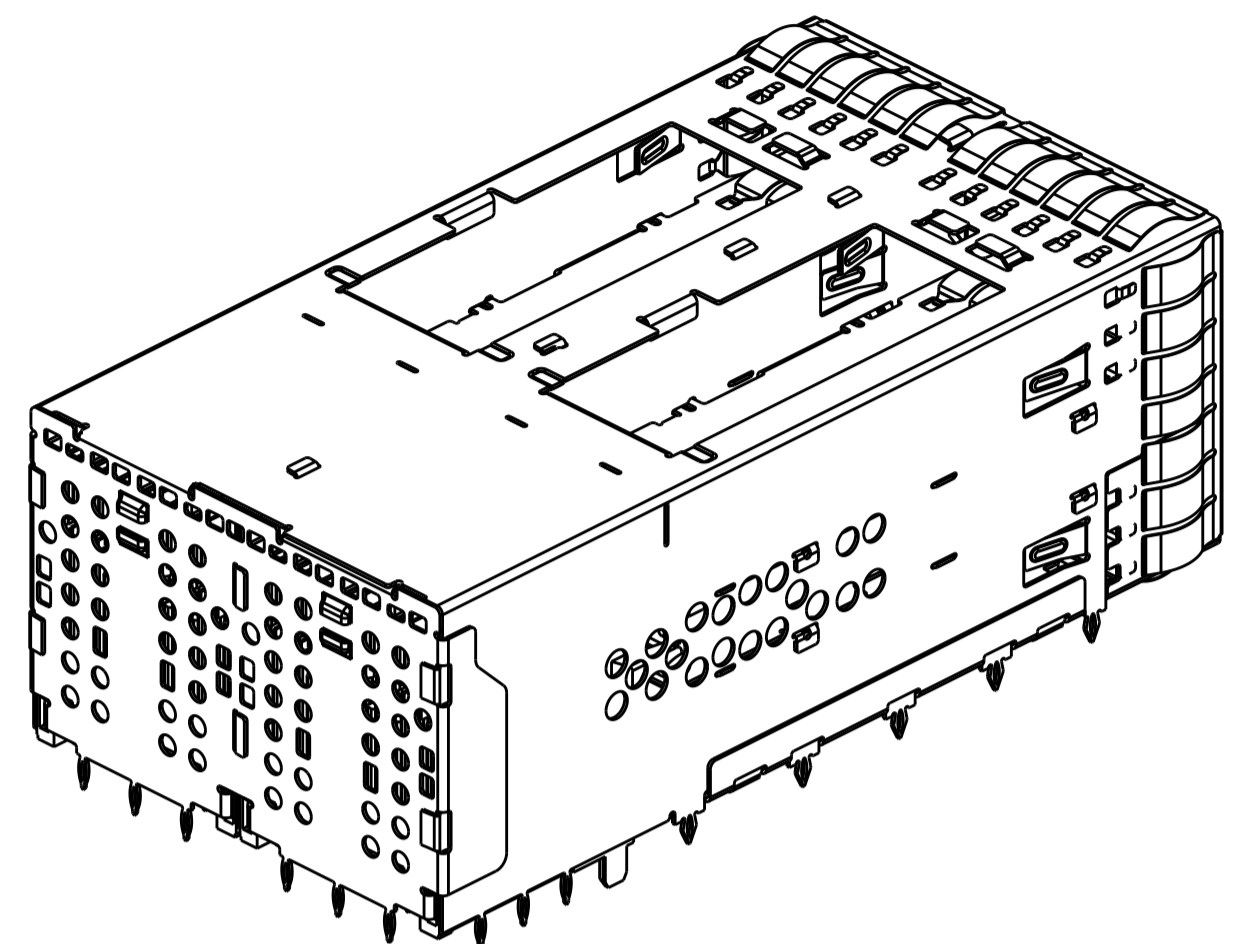
LOC	DIST	REVISIONS			
P	LYR	DESCRIPTION	DATE	OWN	APVD
GP	00	SEE SHEET 1			



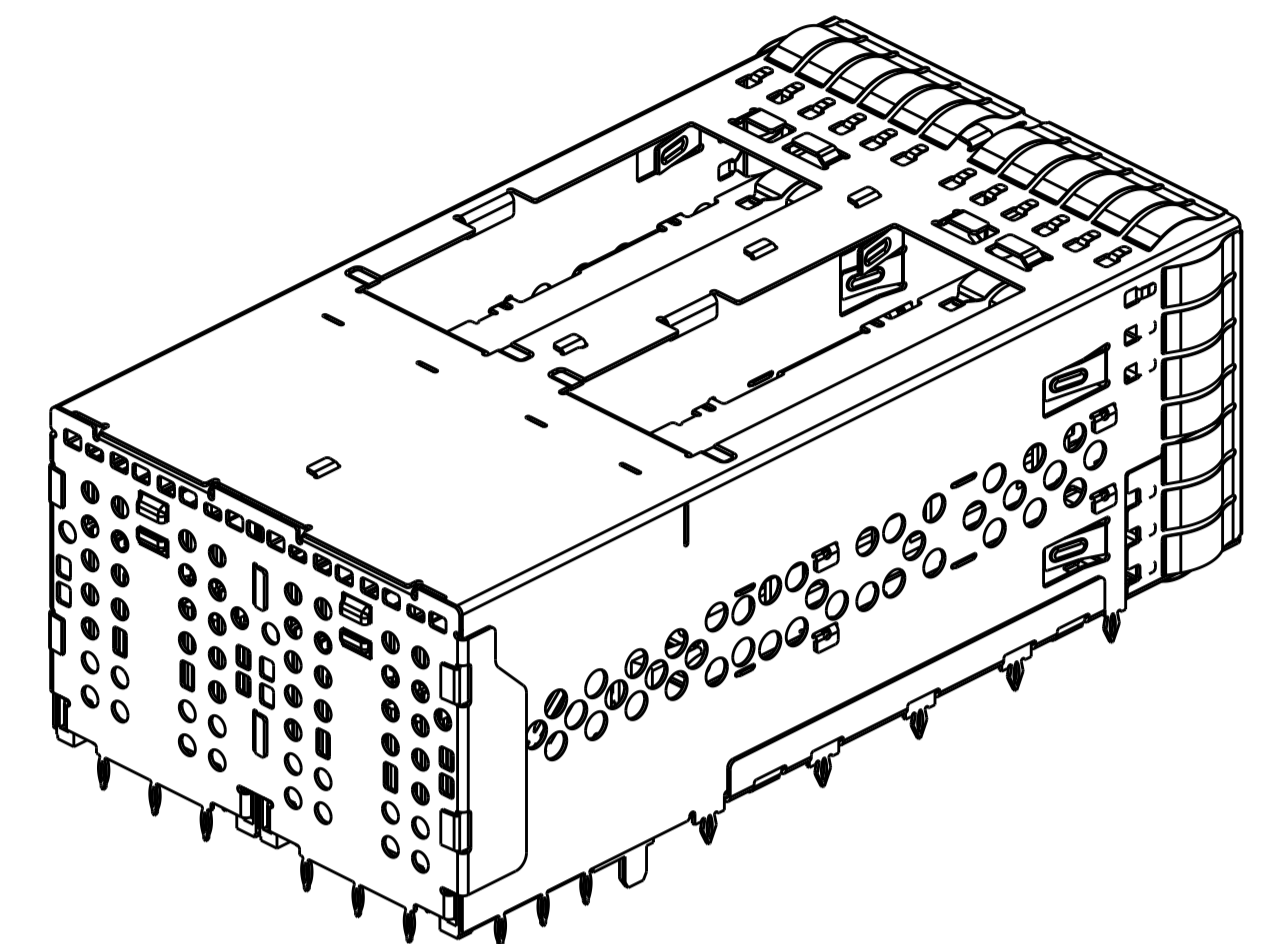
2299870-1 AS SHOWN  
SCALE 2:1



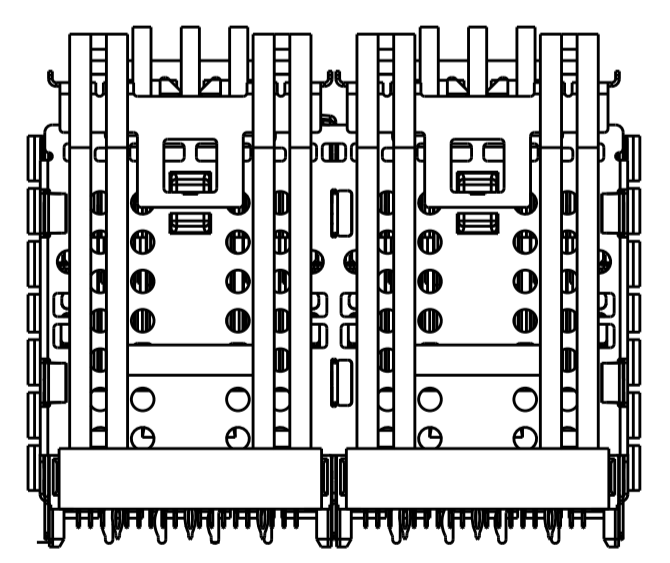
2299870-2 AND 1-2299870-2AS SHOWN  
SAME AS 2299870-1 EXCEPT  
W/O LEHT PIPE AND ORGANIZER  
SCALE 2:1



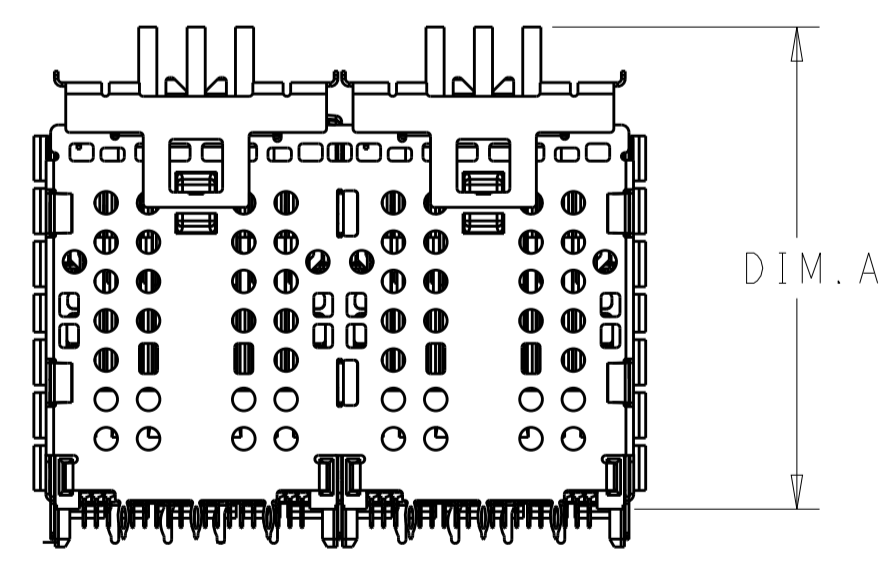
2299870-4 AS SHOWN  
SAME AS 2299870-2 EXCEPT  
W/O EXTERNAL HEAT SINK AND LP  
SCALE 2:1



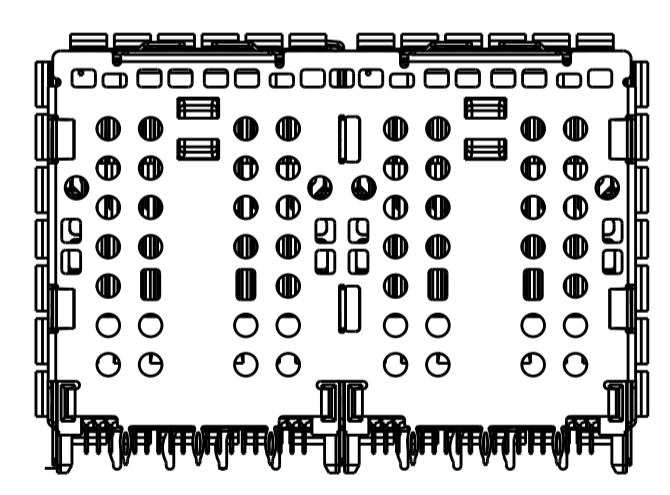
2299870-5  
SCALE 2:1



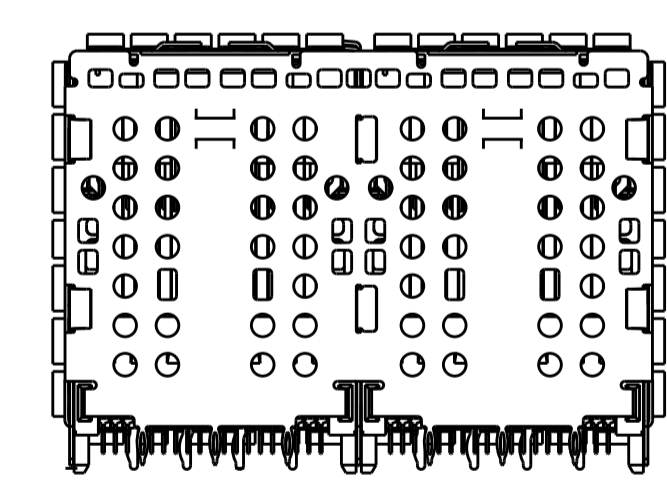
2299870-1  
SCALE 2:1



2299870-2  
1-2299870-2  
SCALE 2:1



2299870-4  
SCALE 2:1

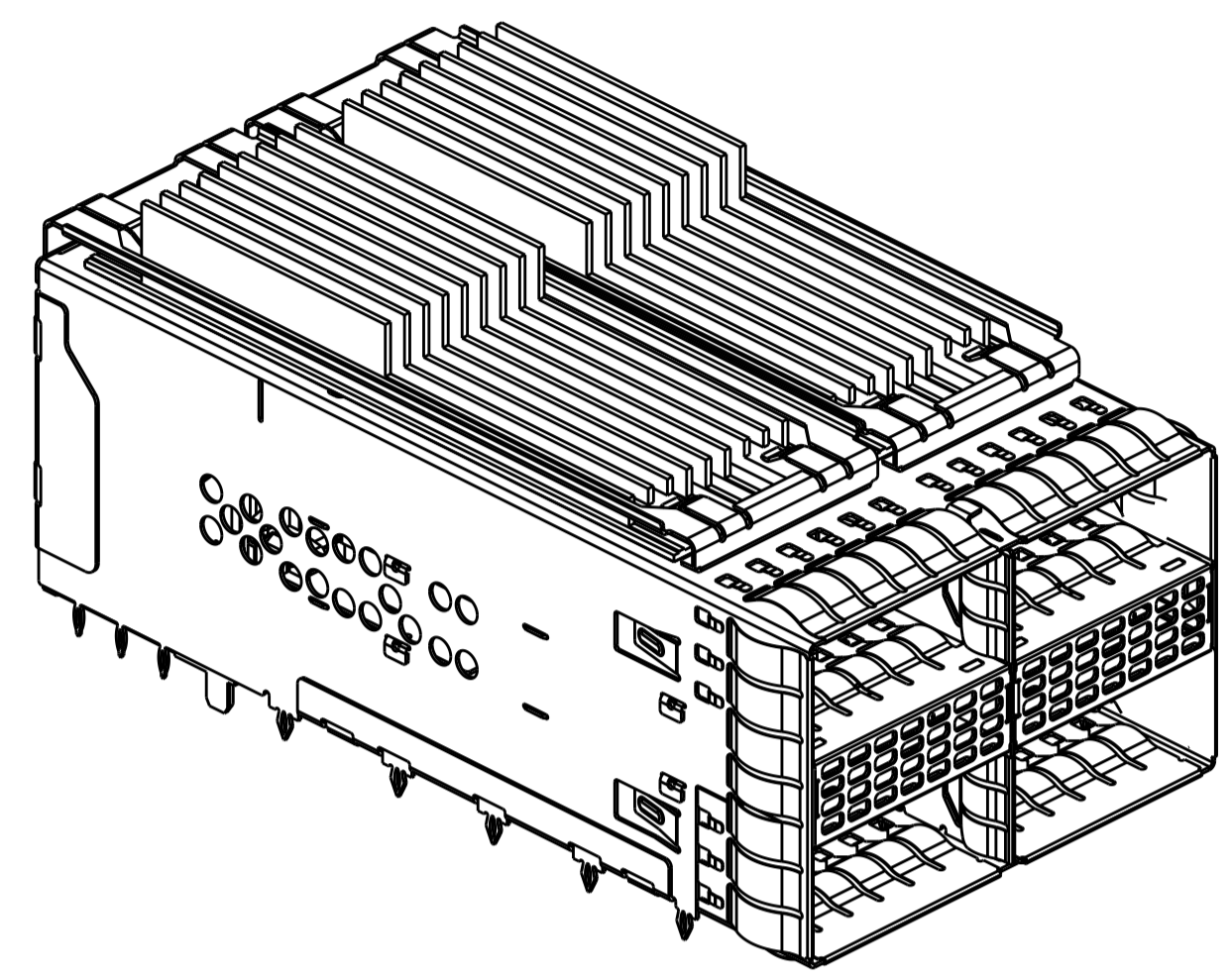


2299870-5  
SCALE 2:1

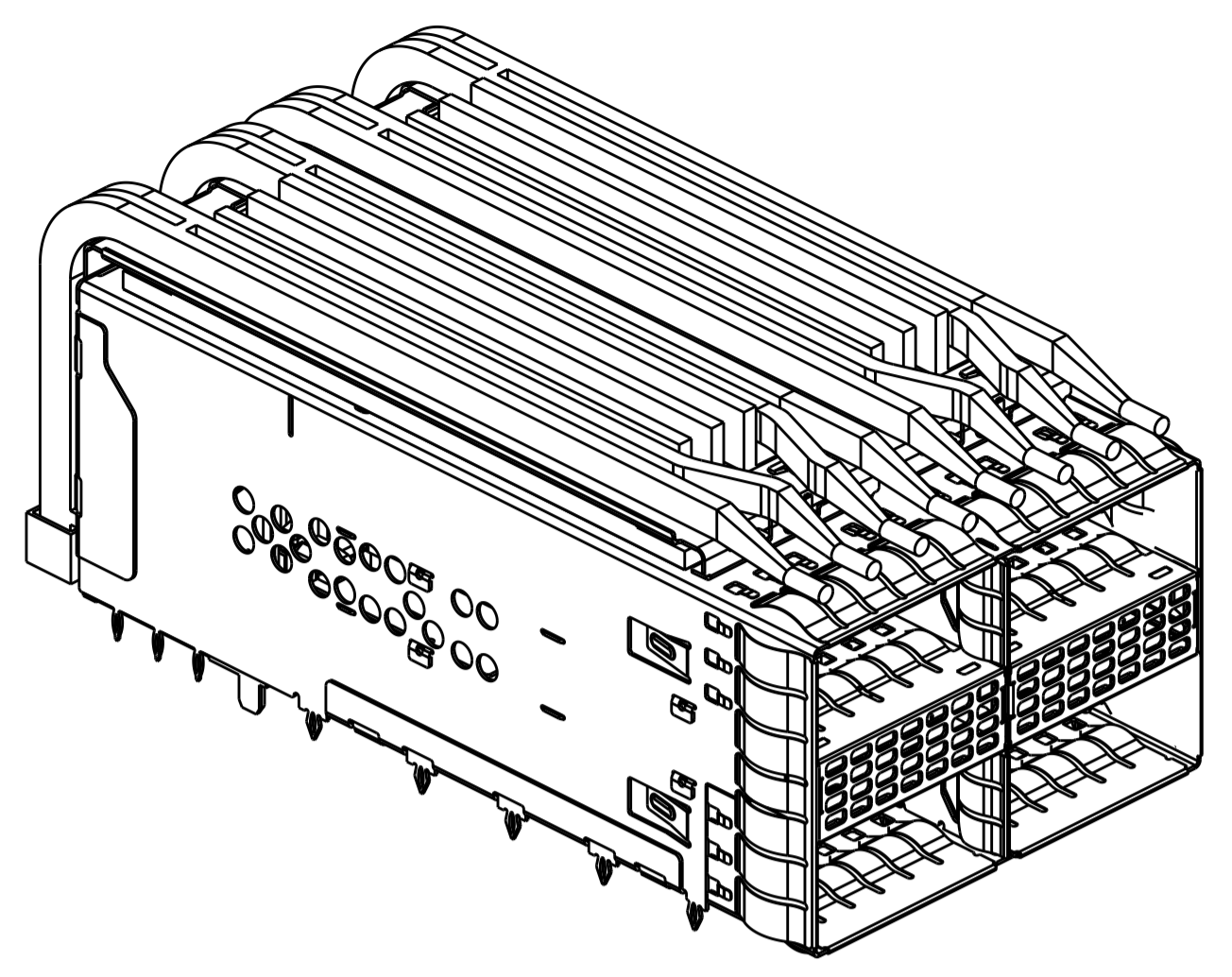
30.9	1-2299870-2
31.9	2299870-2
DIM.A	PART NUMBER

THIS DRAWING IS A CONTROLLED DOCUMENT.		OWN: TIM XUE 28JAN2016	TE Connectivity
DIMENSIONS:		CHK: SEAN HAN 28JAN2016	
mm		APVD: SEAN HAN 28JAN2016	
0 PLC ± 1 PLC ±0.25 2 PLC ±0.15 3 PLC ± 4 PLC ± ANGLES ±		NAME: CAGE AND CONNECTOR ASSEMBLY WITH EMI SPRING FINGERS, THRU BEZEL, 2X2 ZOSFP+ STACKED WITH HS PRODUCT SPEC: 108-60102 APPLICATION SPEC: 114-60015 SIZE: A1 CAGE CODE: 00779 DRAWING NO: C=2299870 RESTRICTED TO:	
MATERIAL: SEE NOTE 1		FINISH: SEE NOTE 2	WEIGHT: CUSTOMER DRAWING SCALE: 4:1 SHEET: 2 OF 11 REV: D

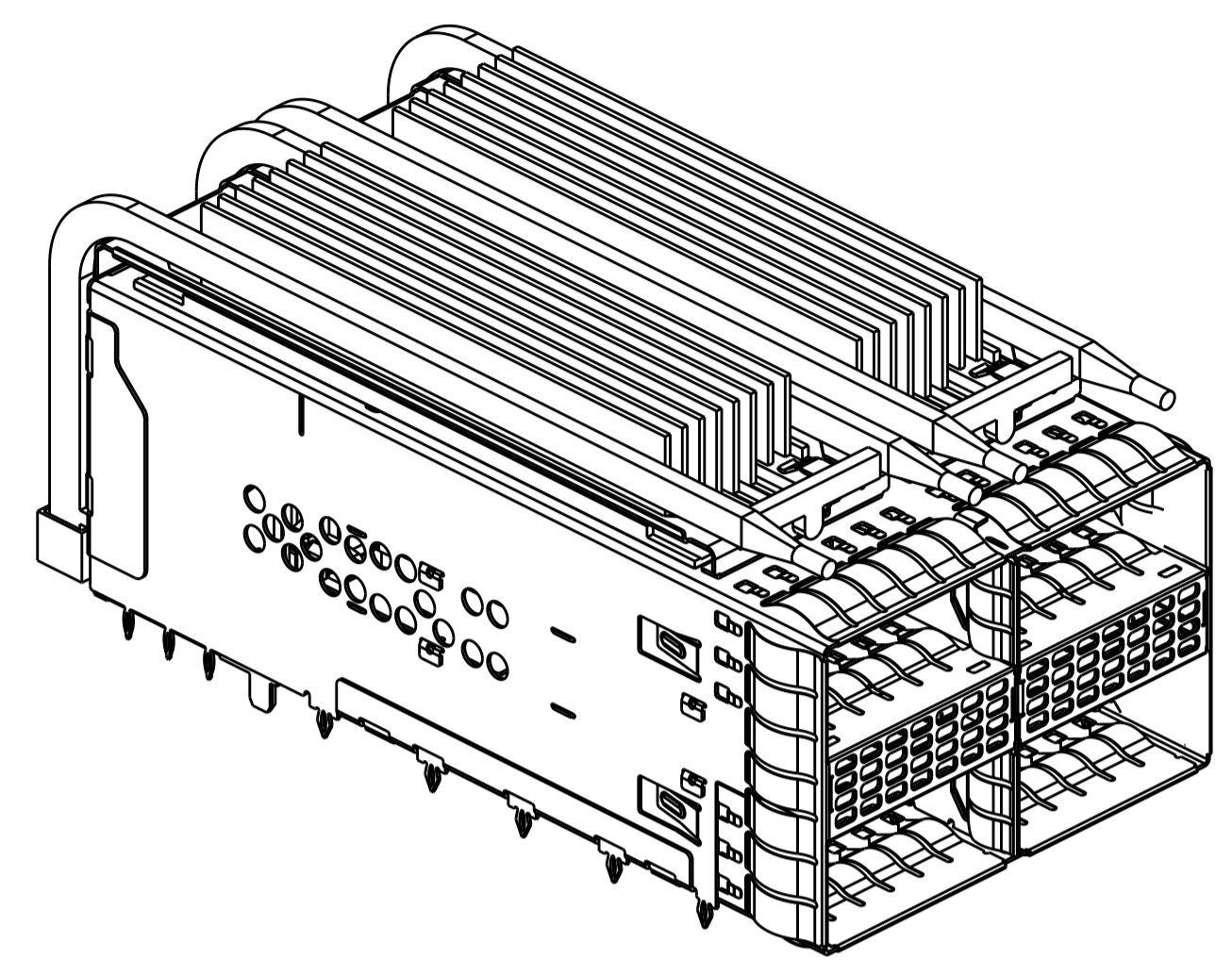
LOC	DIST	REVISIONS					
GP	00	P	LYN	DESCRIPTION	DATE	OWN	APVD
		-		SEE SHEET 1			



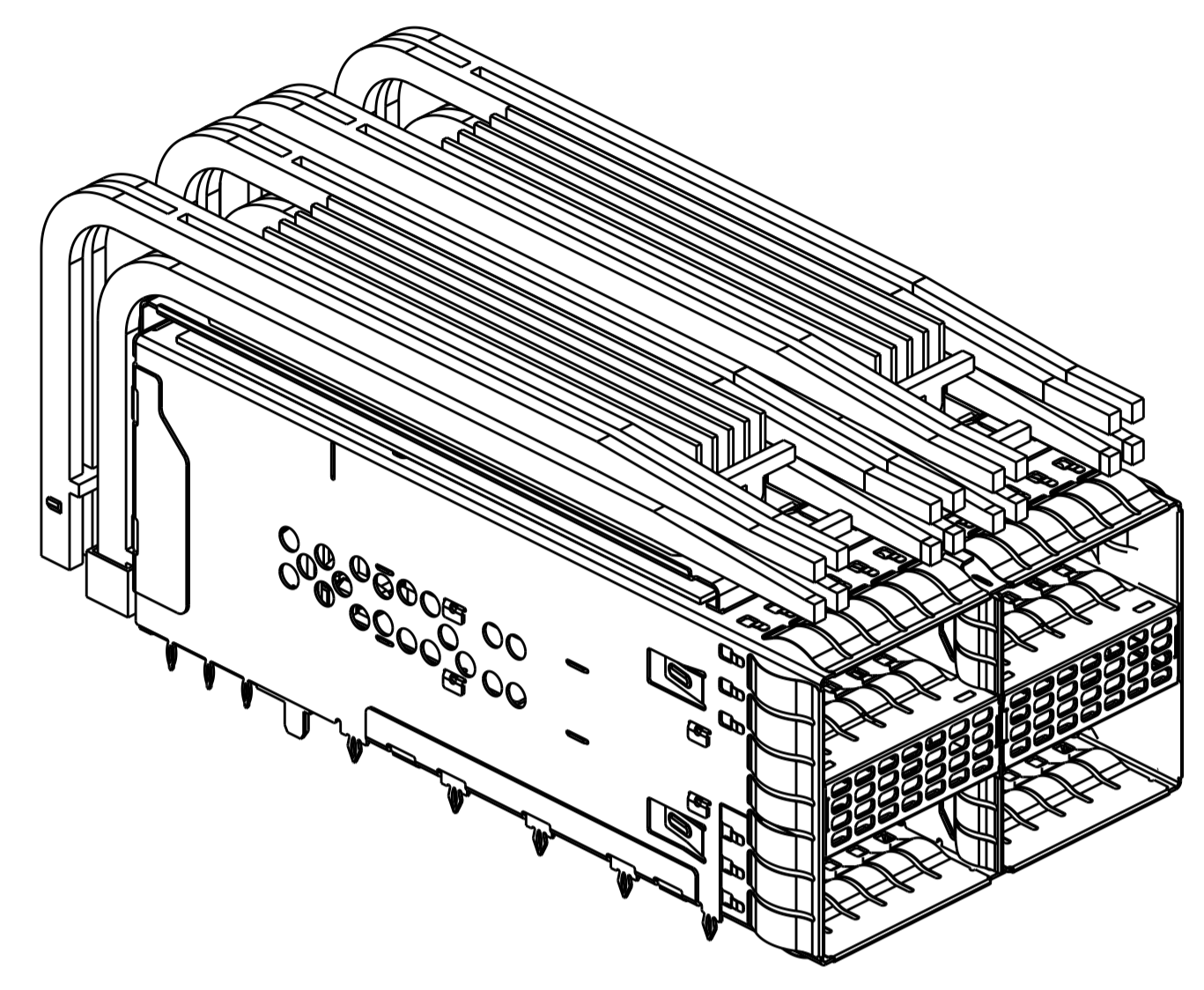
2299870-6  
SCALE 2:1



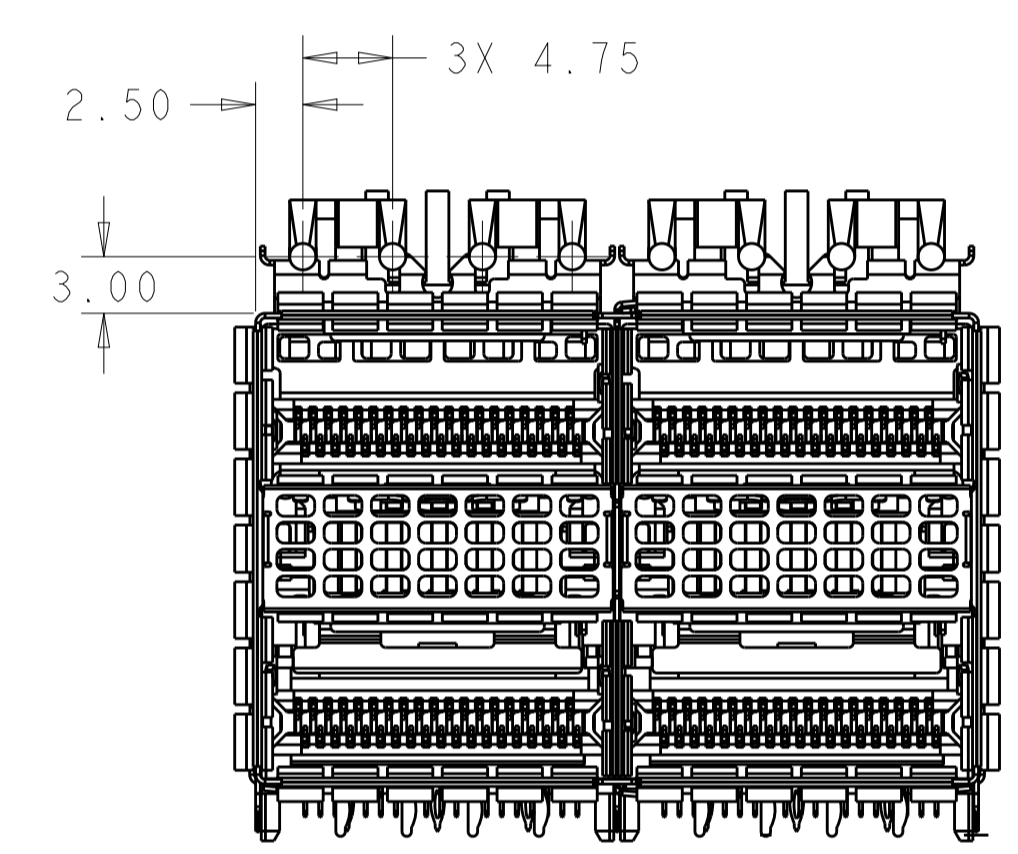
2299870-7  
SCALE 2:1



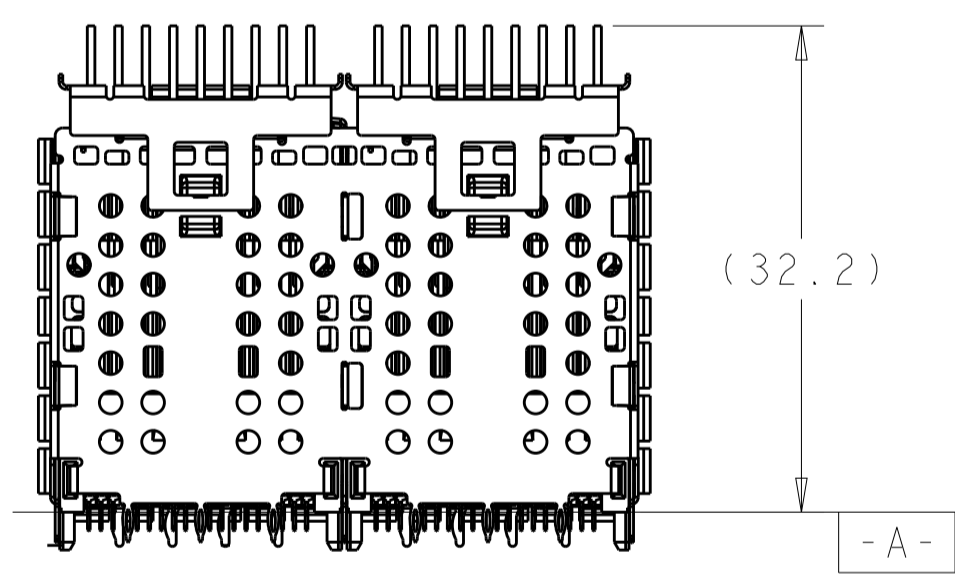
2299870-8  
SCALE 2:1



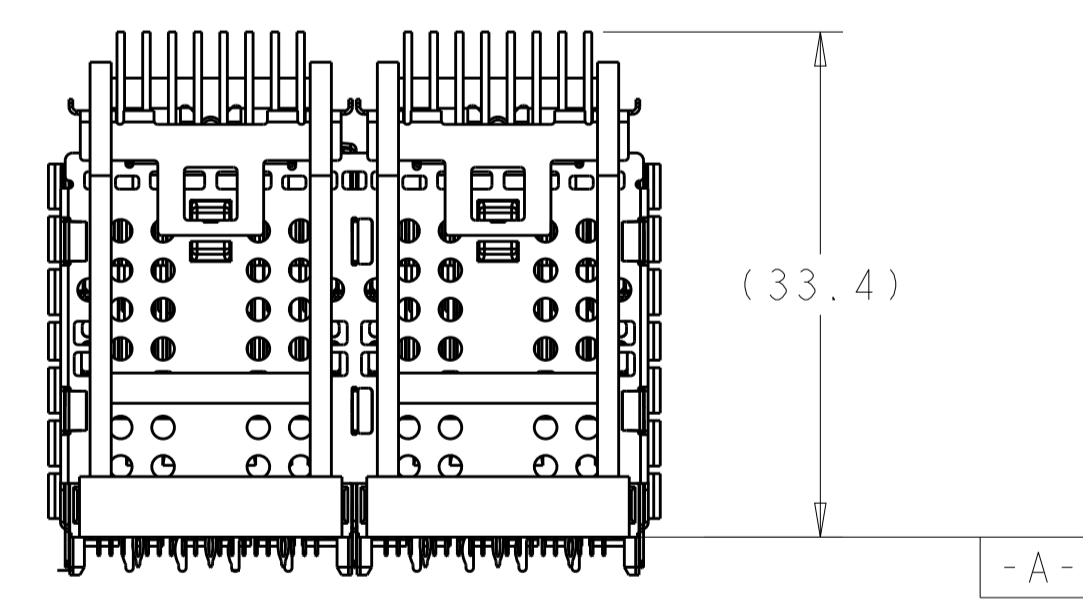
2299870-9  
SCALE 2:1



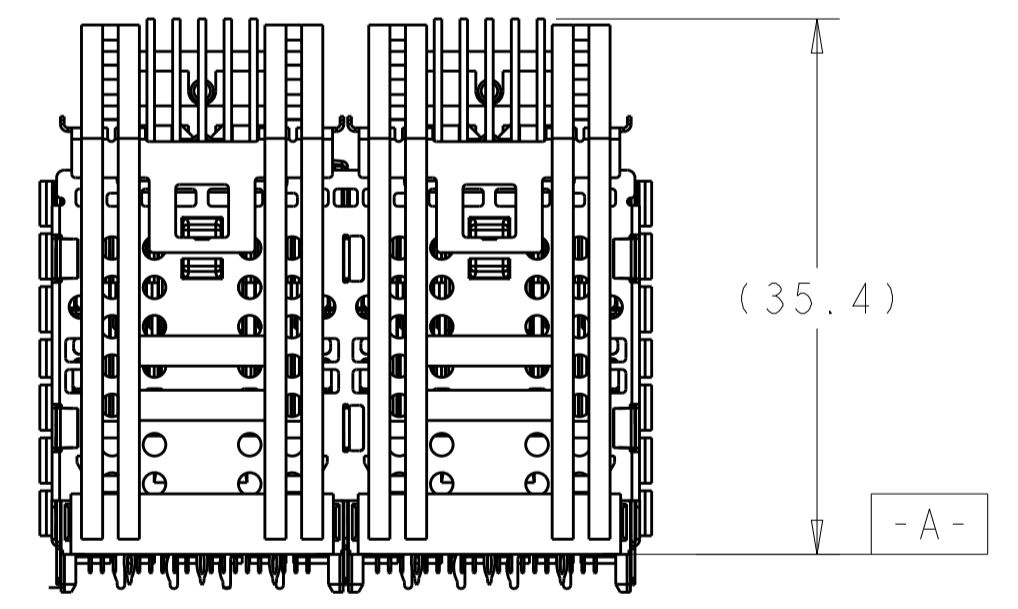
SCALE 5:2



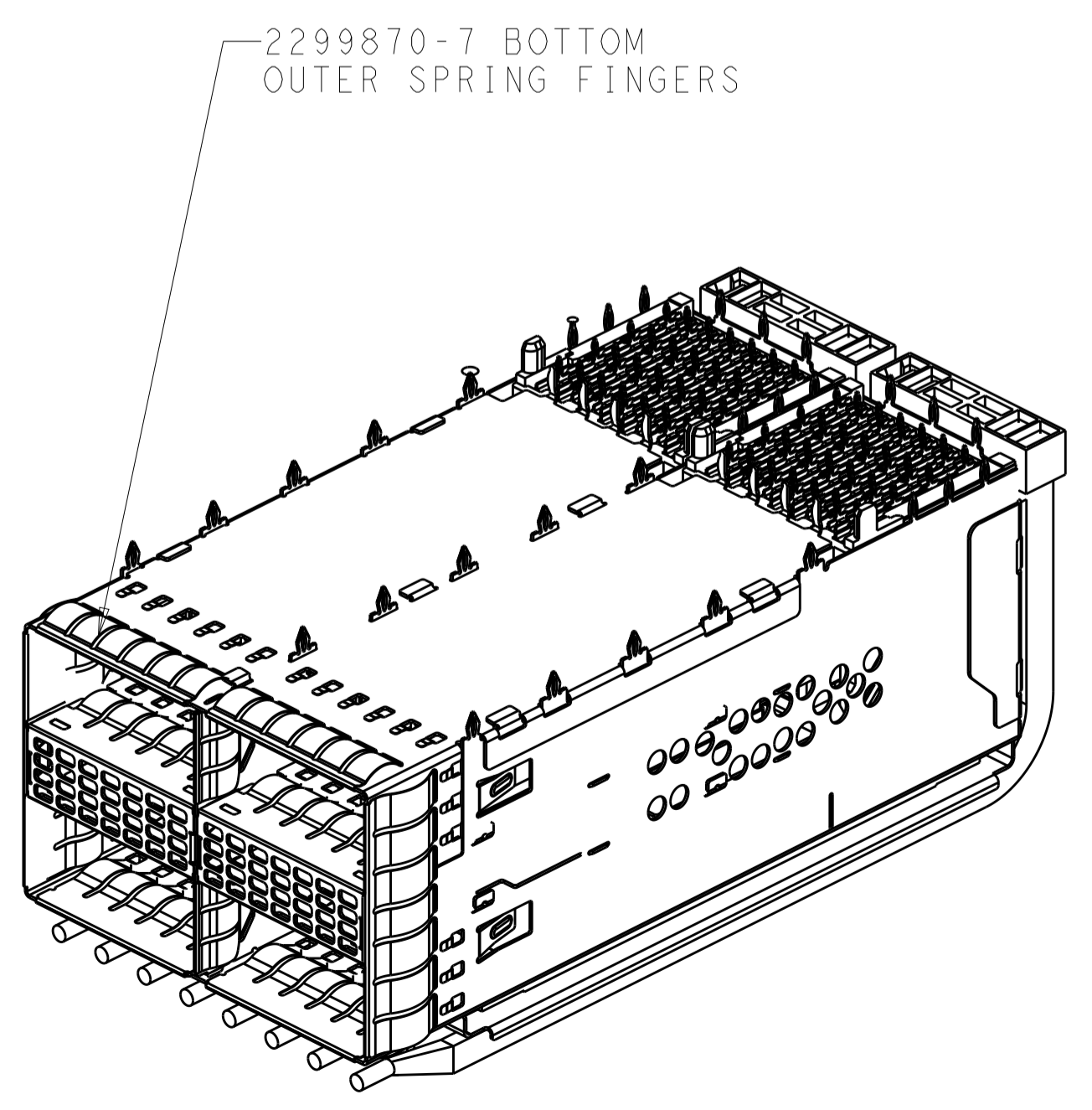
2299870-6  
SCALE 2:1



2299870-8  
SCALE 2:1



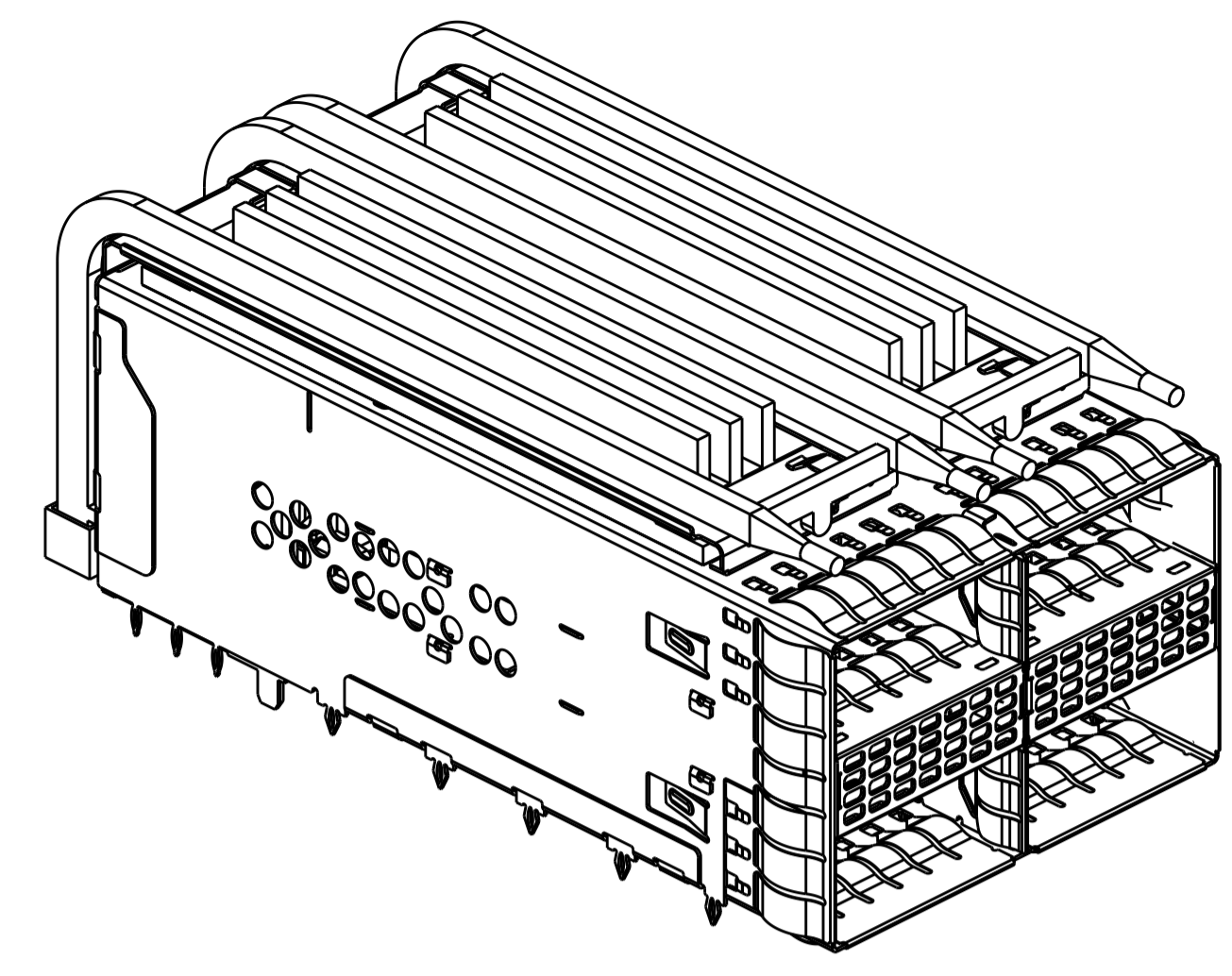
SCALE 2:1



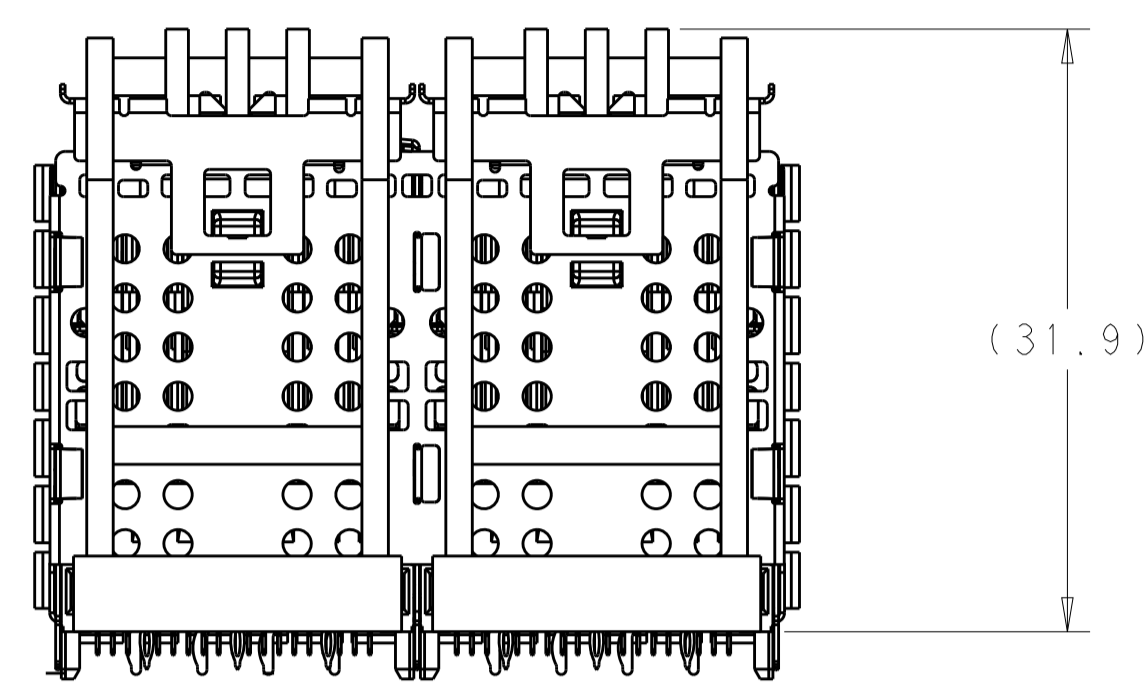
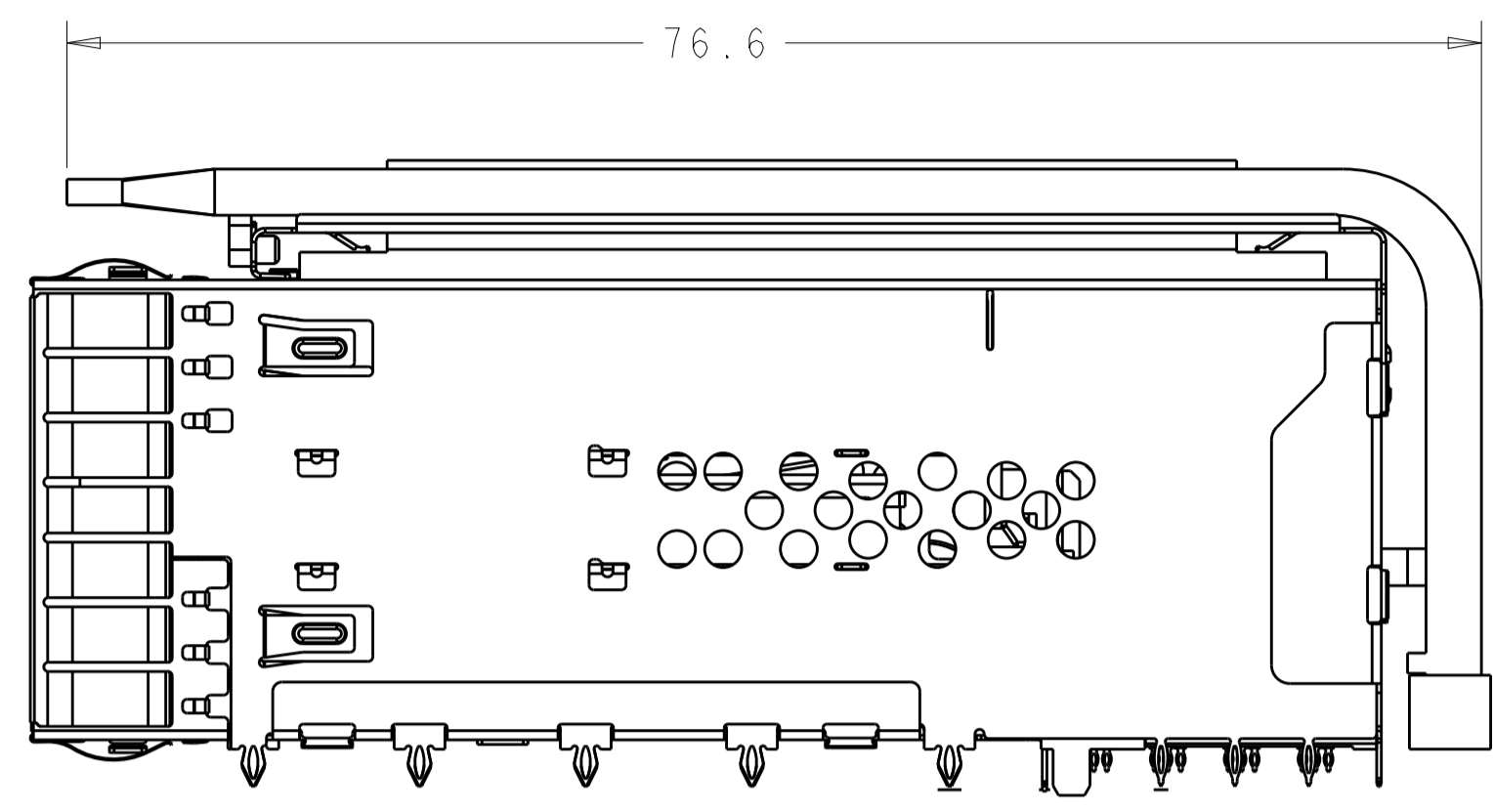
2299870-7  
SCALE 2:1

THIS DRAWING IS A CONTROLLED DOCUMENT.		OWN: TIM XUE 28JAN2016	TE Connectivity
DIMENSIONS: mm		CHK: SEAN HAN 28JAN2016	
TOLERANCES UNLESS OTHERWISE SPECIFIED:		APVD: SEAN HAN 28JAN2016	NAME: CAGE AND CONNECTOR ASSEMBLY WITH EMI SPRING FINGERS, THRU BEZEL, 2X2 ZOSFP+ STACKED WITH HS PRODUCT SPEC: 108-60102 APPLICATION SPEC: 114-60015 SIZE: 114-60015 WEIGHT: - FINISH: -
0 PLC ±		RESTRICTED TO	
1 PLC ±0.25		A100779C=2299870	
2 PLC ±0.15		SCALE 4:1 SHEET 3 OF 11 REV D	
3 PLC ±		CUSTOMER DRAWING	
4 PLC ±			
ANGLES ±			
MATERIAL: SEE NOTE 1			
FINISH: SEE NOTE 2			

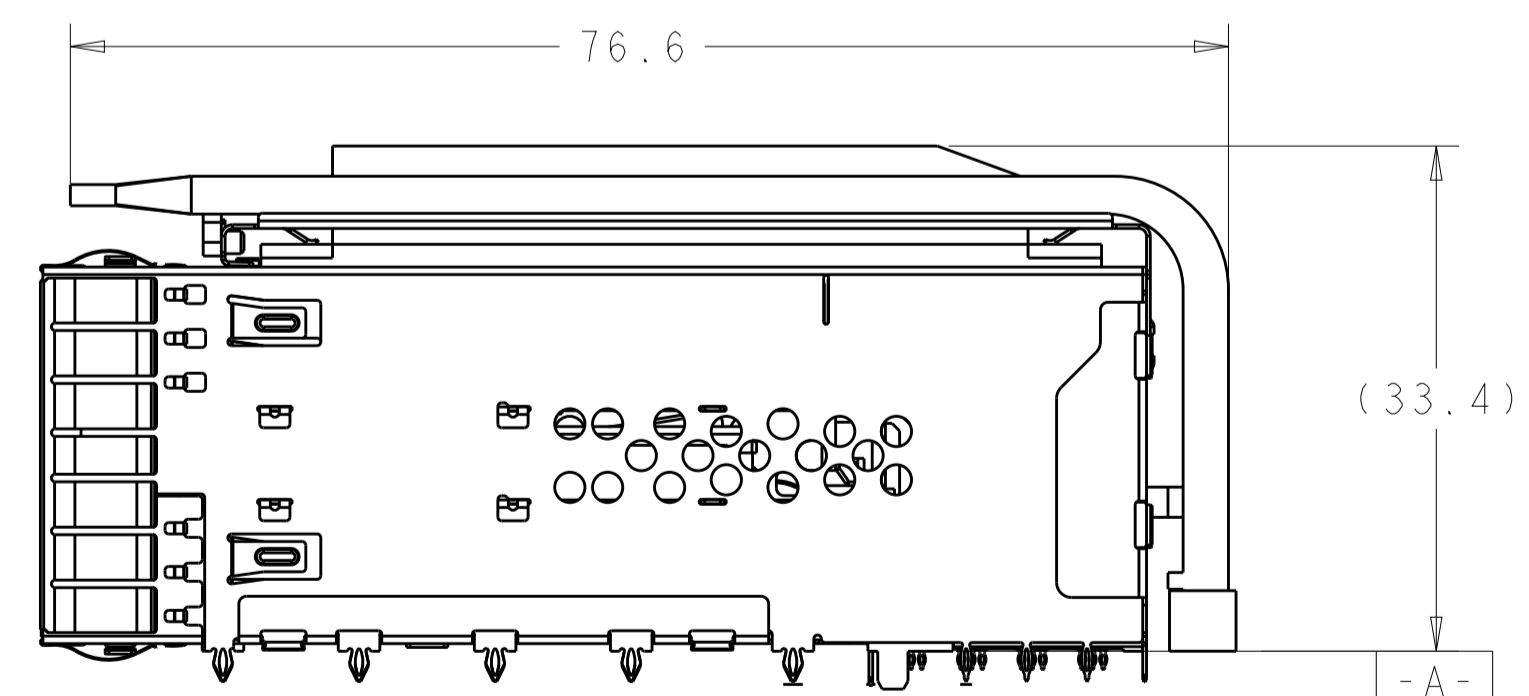
LOC		DIST		REVISIONS				
P	LYR	DATE	OWN	APVD	DESCRIPTION	DATE	OWN	APVD
-	-	-	-	-	SEE SHEET 1	-	-	-



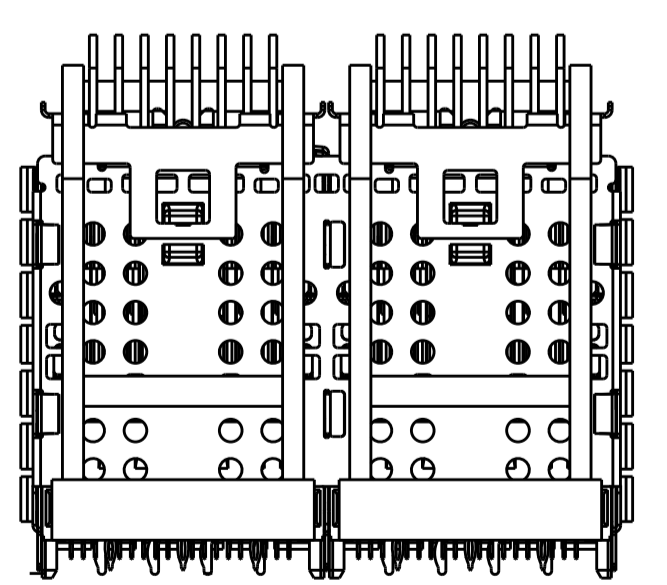
1-2299870-0  
SCALE 2:1



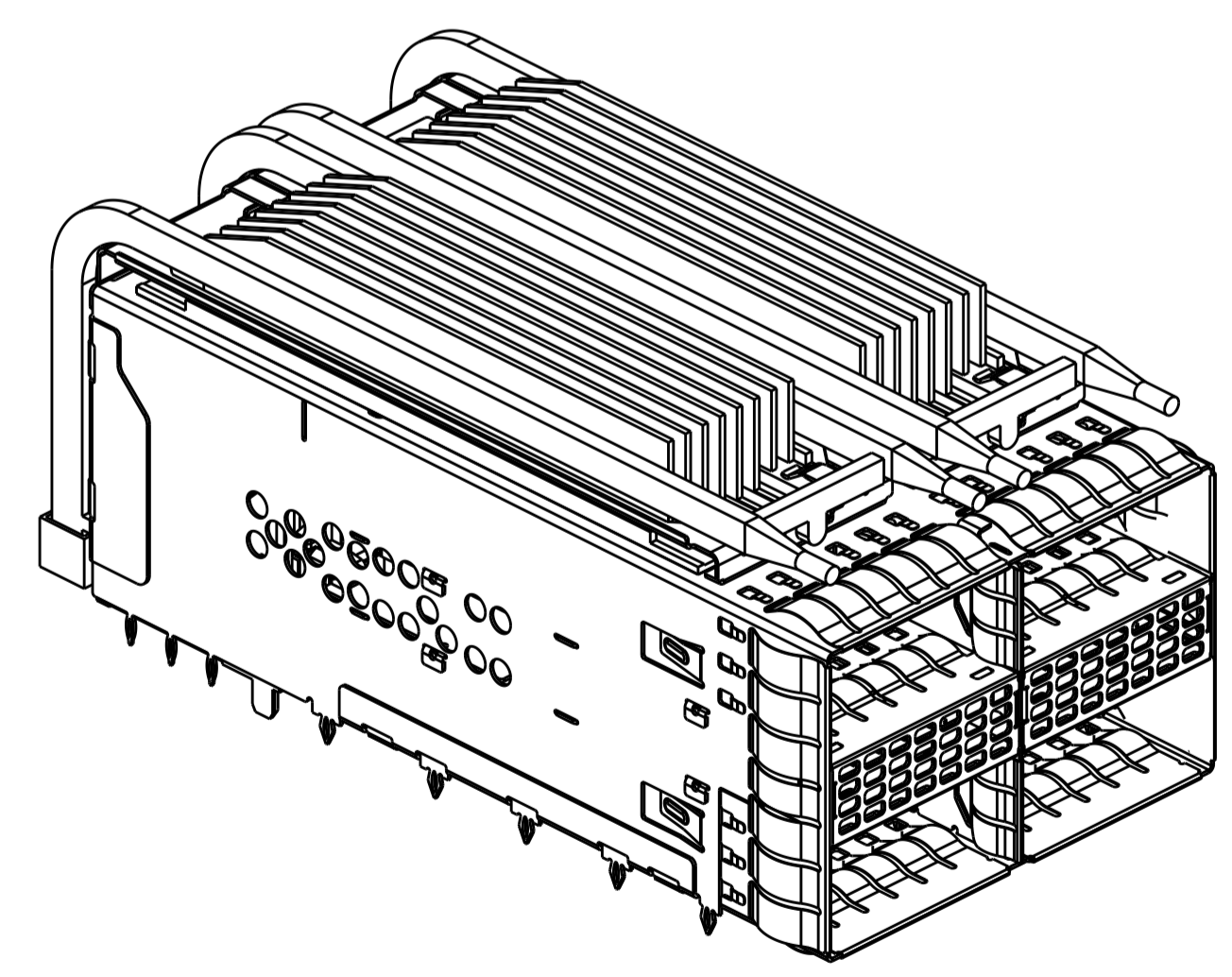
1-2299870-0  
SCALE 5:2



1-2299870-8



1-2299870-8  
SCALE 2:1

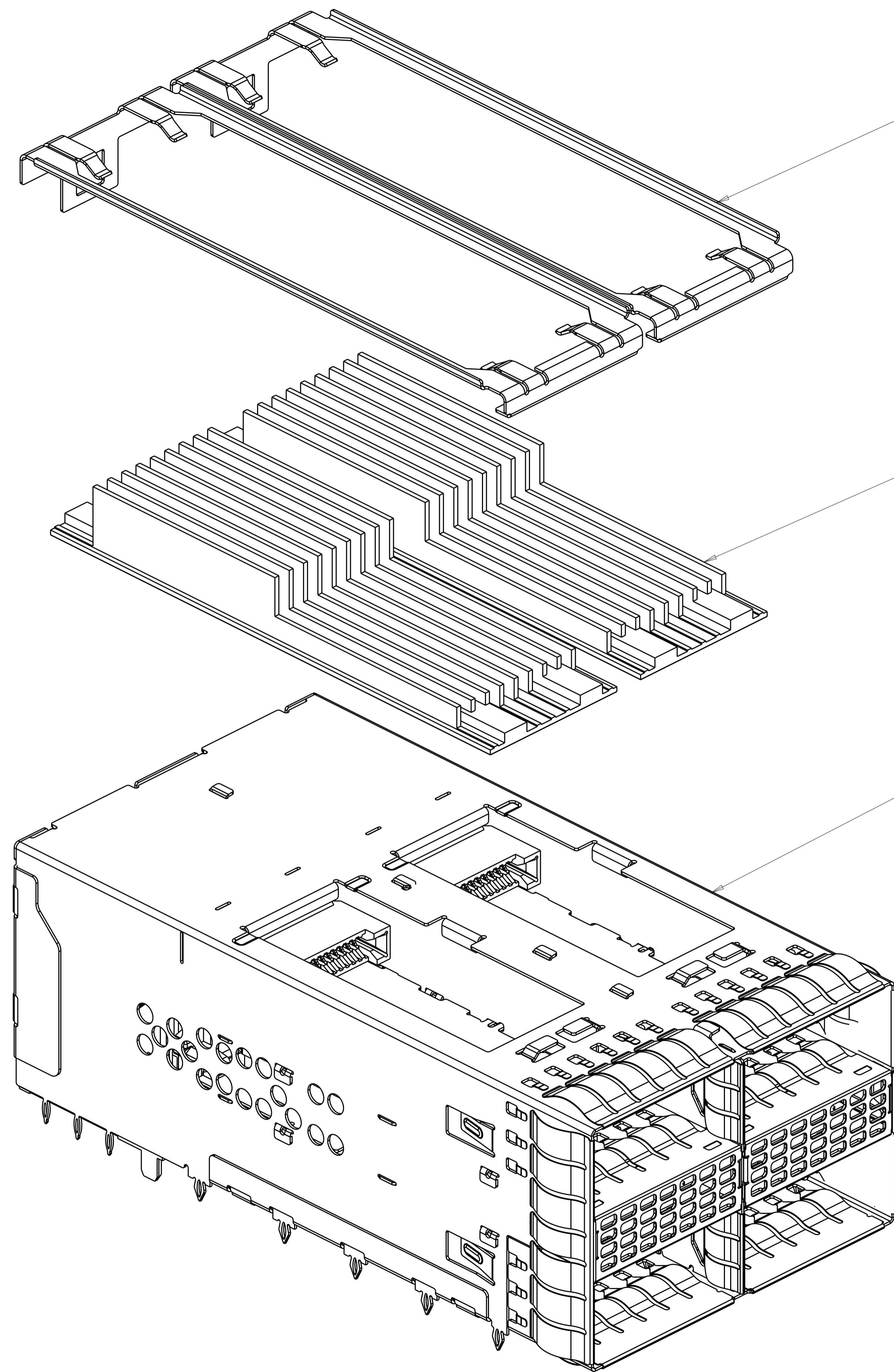


1-2299870-8  
SCALE 2:1

THIS DRAWING IS A CONTROLLED DOCUMENT.		OWN: TIM XUE 28JAN2016	TE Connectivity
DIMENSIONS: mm		CHK: SEAN HAN 28JAN2016	
TOLERANCES UNLESS OTHERWISE SPECIFIED: 0 PLC ± 1 PLC ±0.25 2 PLC ±0.15 3 PLC ± 4 PLC ± ANGLES ± FINISH ±		APVD: SEAN HAN 28JAN2016	NAME: CAGE AND CONNECTOR ASSEMBLY WITH EMI SPRING FINGERS, THRU BEZEL, 2X2 ZQSPF+ STACKED WITH HS
MATERIAL: SEE NOTE 1		PRODUCT SPEC: 108-60102	SIZE: A100779
SEE NOTE 2		APPLICATION SPEC: 114-60015	CAGE CODE: C=2299870
CUSTOMER DRAWING		WEIGHT: -	RESTRICTED TO: -
		SCALE: 4:1	SHEET 4 OF 11 REV D

LOC	DIST	REVISIONS			
P	LTN	DESCRIPTION	DATE	DWN	APVD
GP	00	SEE SHEET 1			

2299870-3 AS SHOWN, KIT PACKAGE



HEAT SINK CLIP  
 PN: 1-2300832-7

HEAT SINK  
 PN: 1-2304280-3  
 COLOR: BLACK

CAGE AND CONNECTOR ASSEMBLY  
 PN: 2299870-4

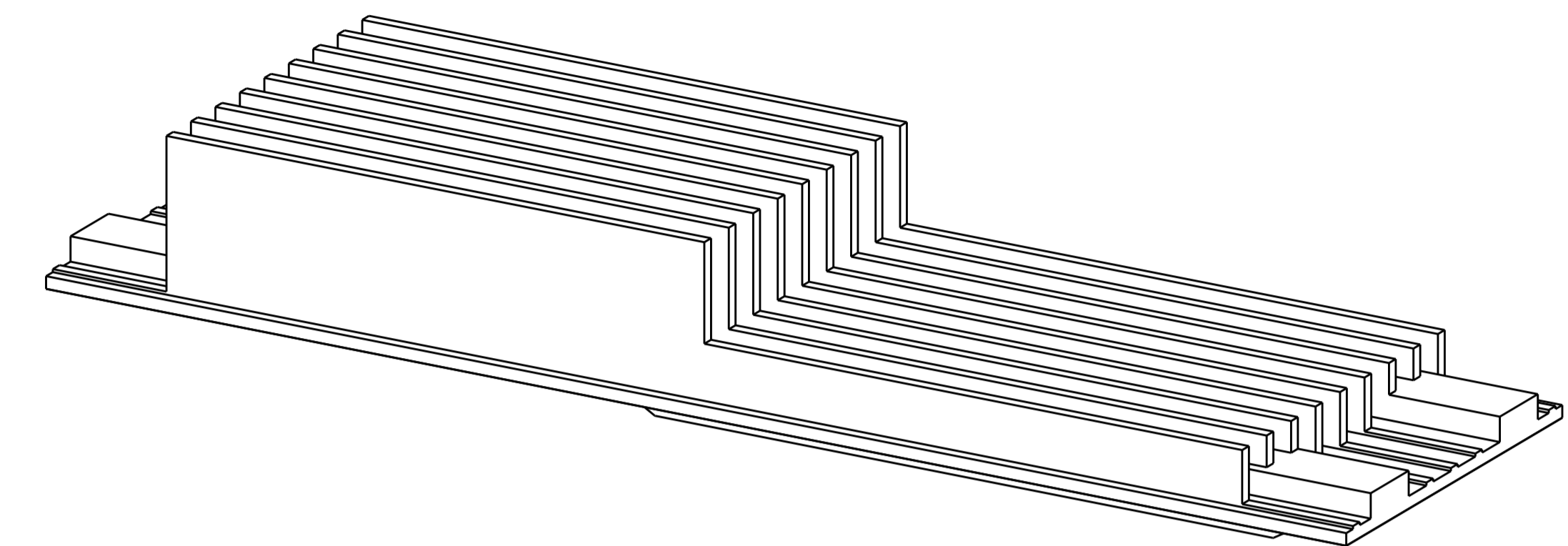
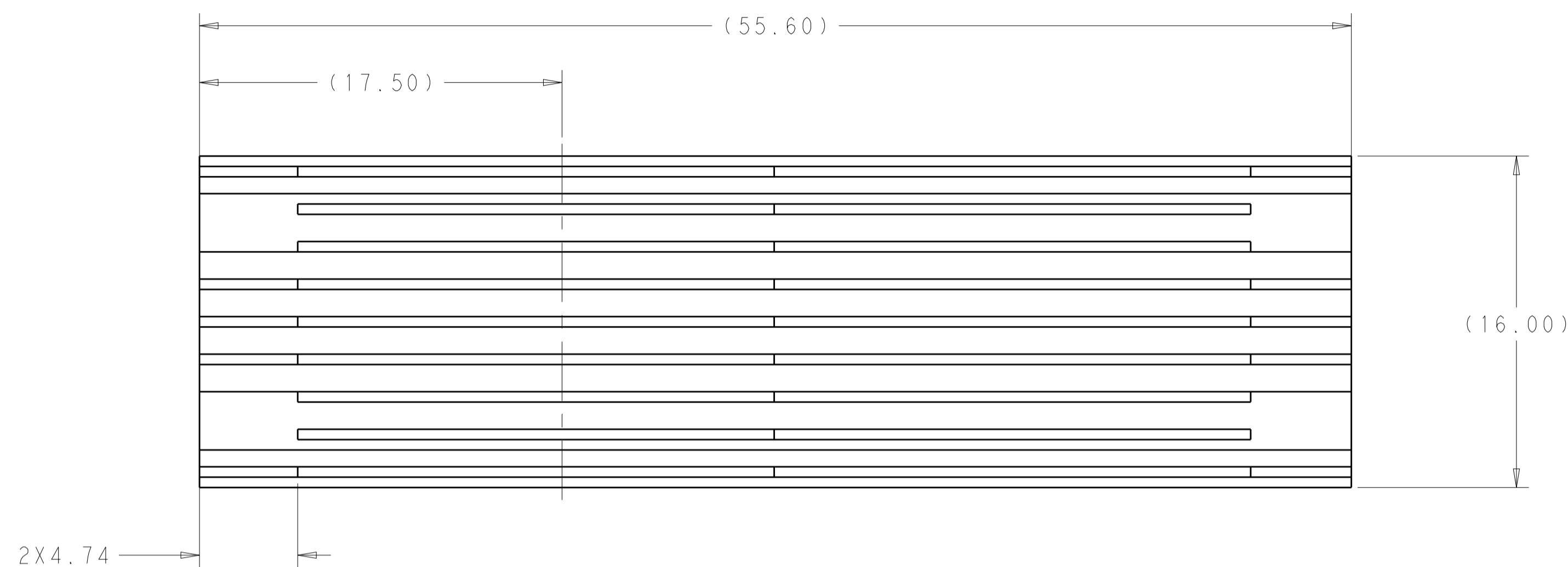
SCALE 4:1

2	1-2300832-7	HEAT SINK CLIP	3
2	1-2304280-3	HEAT SINK	2
1	2299870-4	CAGE AND CONNECTOR ASSEMBLY	1
2299870-3	PART NUMBER	DESCRIPTION	ITEM

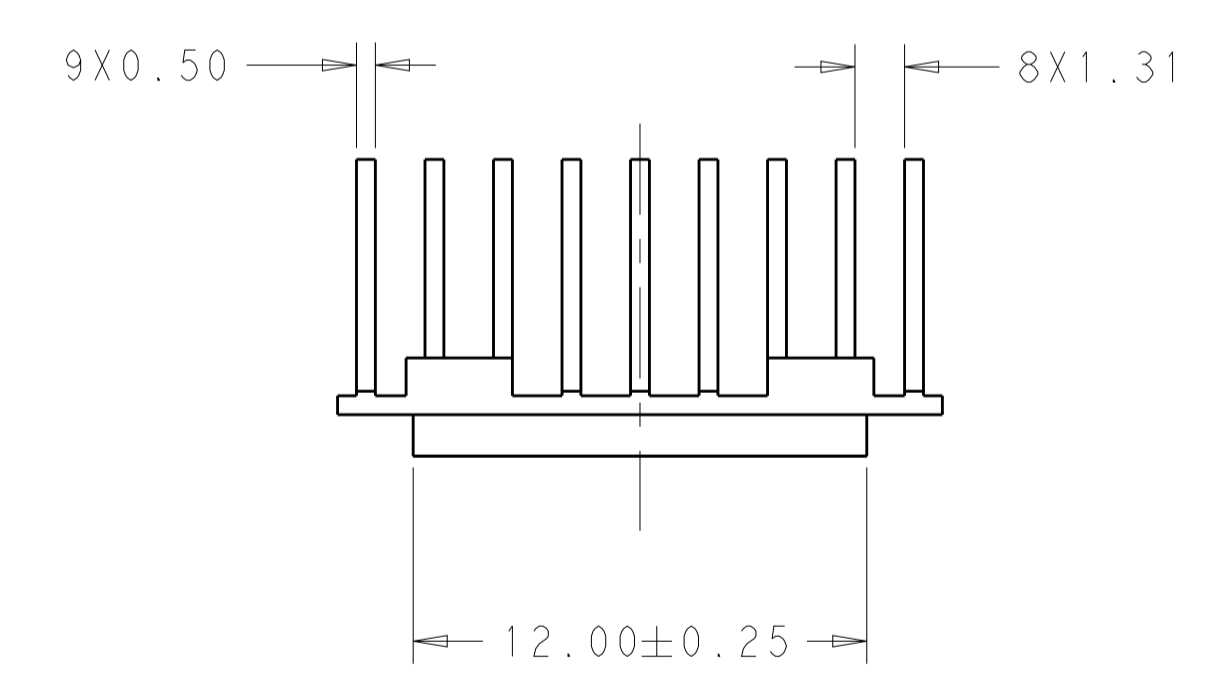
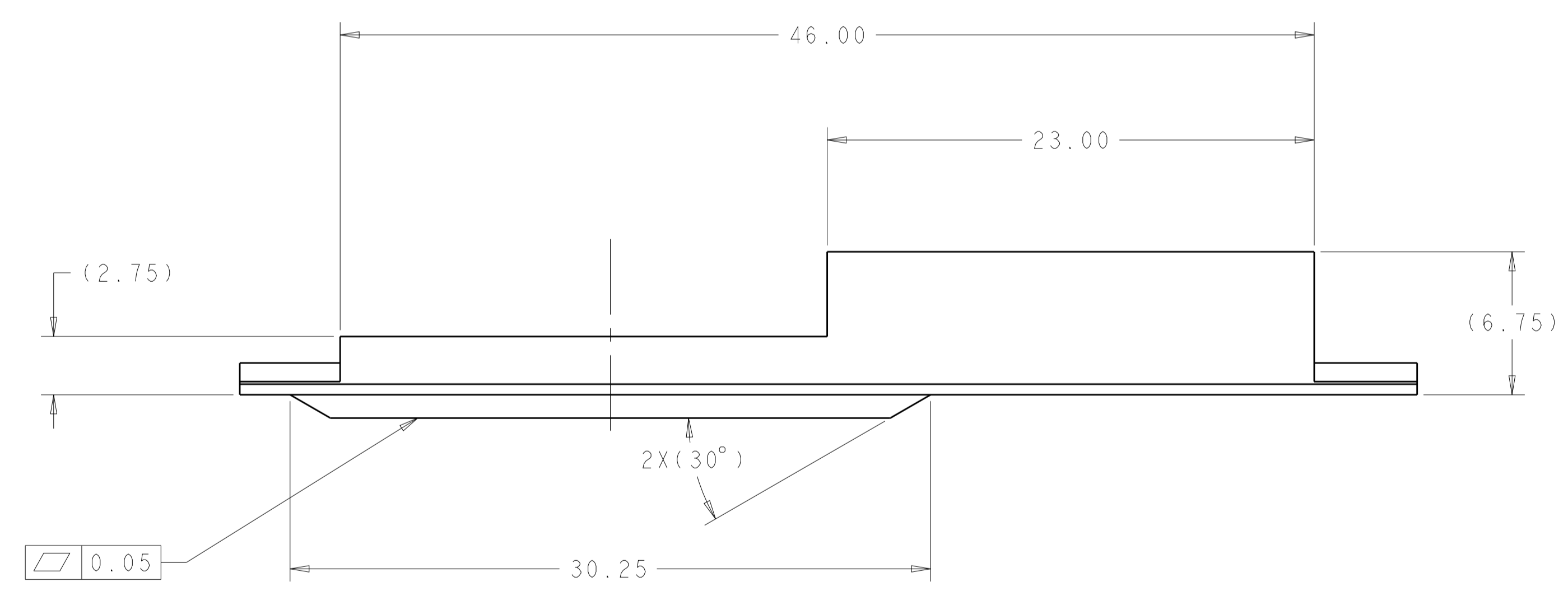
  

THIS DRAWING IS A CONTROLLED DOCUMENT.		OWN	TIM XUE	28JAN2016
DIMENSIONS:		CHK	SEAN HAN	28JAN2016
mm	0 PLC ±	APVD	SEAN HAN	28JAN2016
	1 PLC ±0.25	NAME		
	2 PLC ±0.15	CAGE AND CONNECTOR ASSEMBLY WITH		
	3 PLC ±	EMI SPRING FINGERS, THRU BEZEL,		
	4 PLC ±	2X2 ZQSFP+ STACKED WITH HS		
	ANGLES ±	PRODUCT SPEC	108-60102	SIZE
	FINISH ±	APPLICATION SPEC	114-60015	CAGE CODE
MATERIAL	SEE NOTE 1	WEIGHT	114-60015	DRAWING NO
	SEE NOTE 2	RESTRICTED TO	A100779	©=2299870
CUSTOMER DRAWING		SCALE	4:1	SHEET 5 OF 11

LOC	DIST	REVISIONS			
P	LTN	DESCRIPTION	DATE	DMN	APVD
-	-	SEE SHEET 1	-	-	-

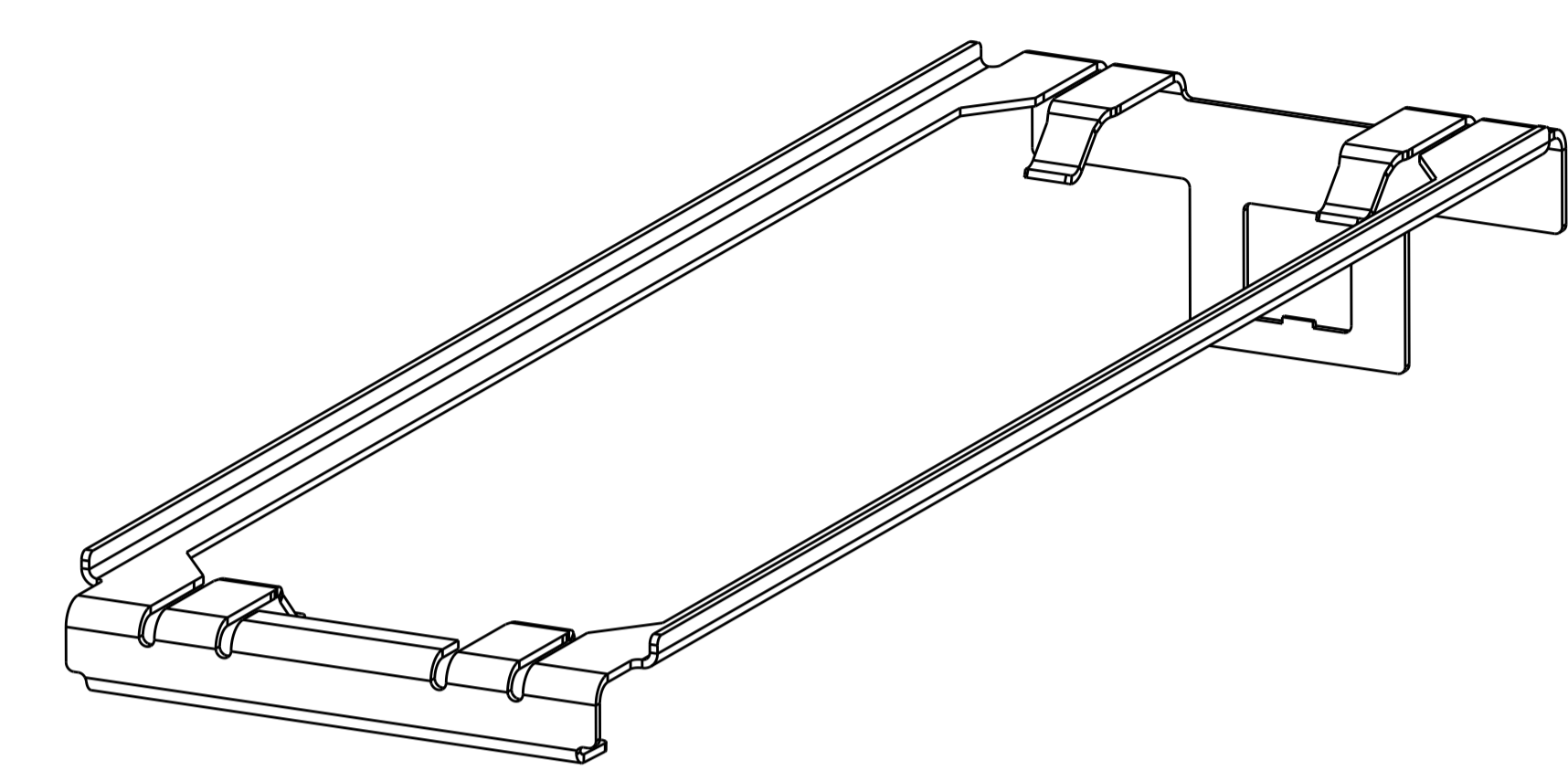
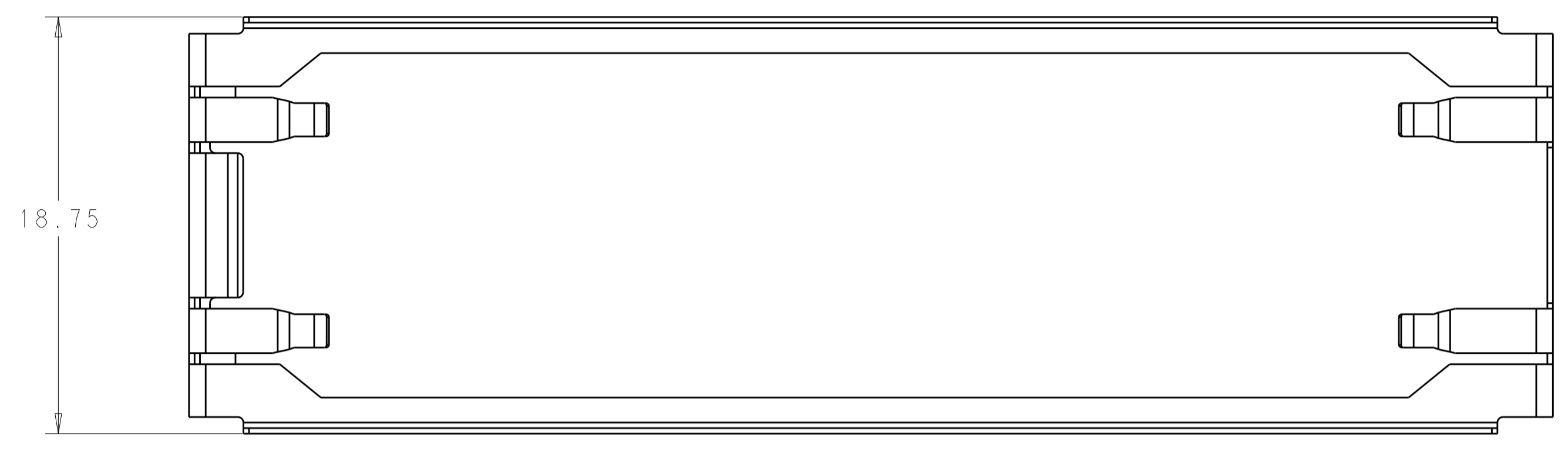


1-2304280-3 HEAT SINK SHOWN  
 (THE COLOR IS BLACK)  
 SCALE 5:1

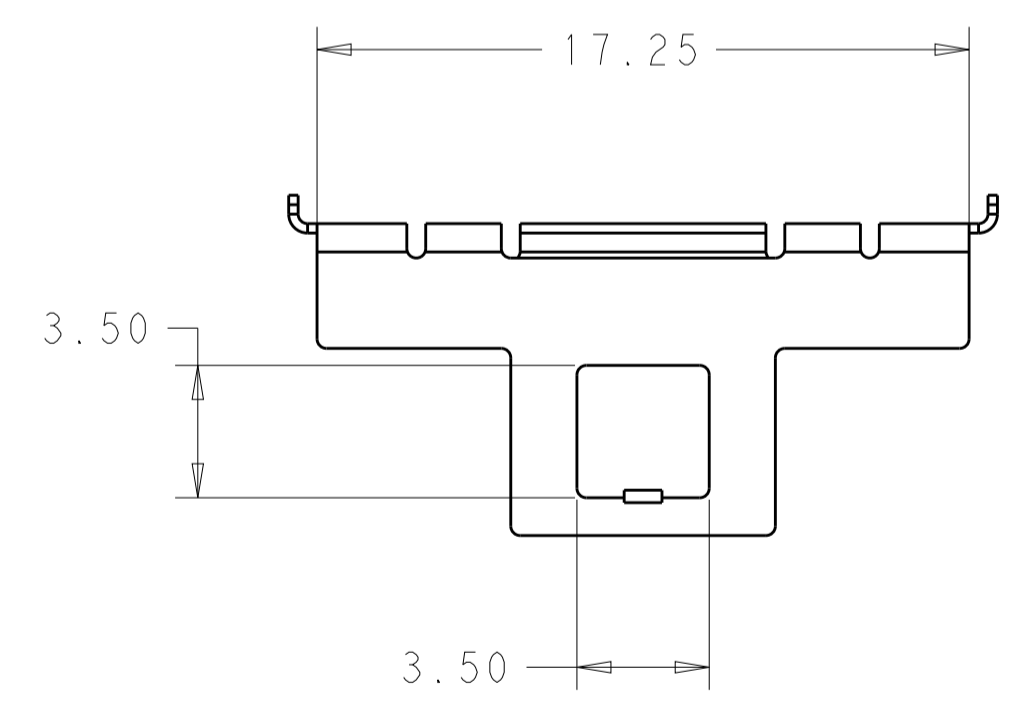
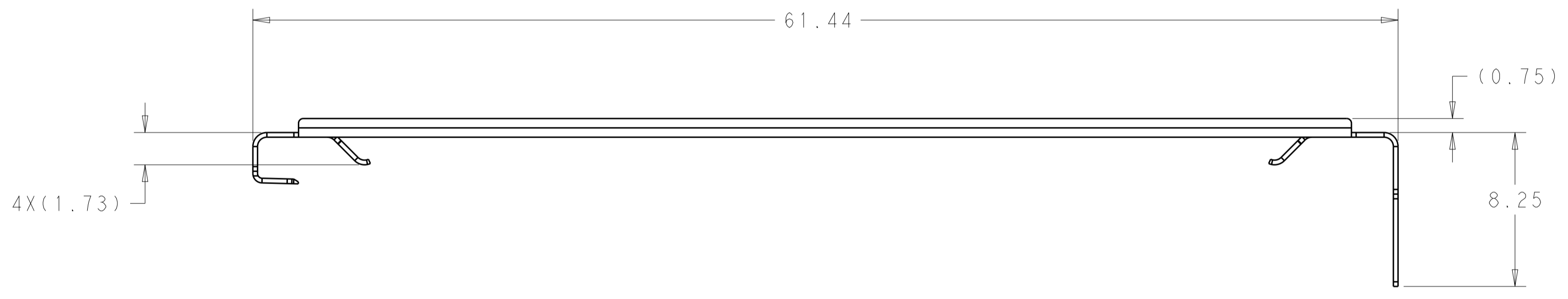


THIS DRAWING IS A CONTROLLED DOCUMENT.		DMN TIM XUE 28JAN2016	TE Connectivity
DIMENSIONS: mm		CHK SEAN HAN 28JAN2016	
TOLERANCES UNLESS OTHERWISE SPECIFIED:		APVD SEAN HAN 28JAN2016	NAME CAGE AND CONNECTOR ASSEMBLY WITH EMI SPRING FINGERS, THRU BEZEL, 2X2 ZQSFP+ STACKED WITH HS
0 PLC ±	1 PLC ±0.25	PRODUCT SPEC	SIZE A100779
2 PLC ±0.15	3 PLC ±	APPLICATION SPEC	CAGE CODE C=2299870
4 PLC ±	ANGLES ±	114-60015	RESTRICTED TO
MATERIAL SEE NOTE 1	FINISH SEE NOTE 2	WEIGHT -	SCALE 4:1
CUSTOMER DRAWING		SCALE 4:1	SHEET 6 OF 11
		REV D	

LOC	DIST	REVISIONS			
P	LTN	DESCRIPTION	DATE	DMN	APVD
GP	00	SEE SHEET 1	-	-	-



1-2300832-7, HEAT SINK CLIP  
 SCALE 5:1

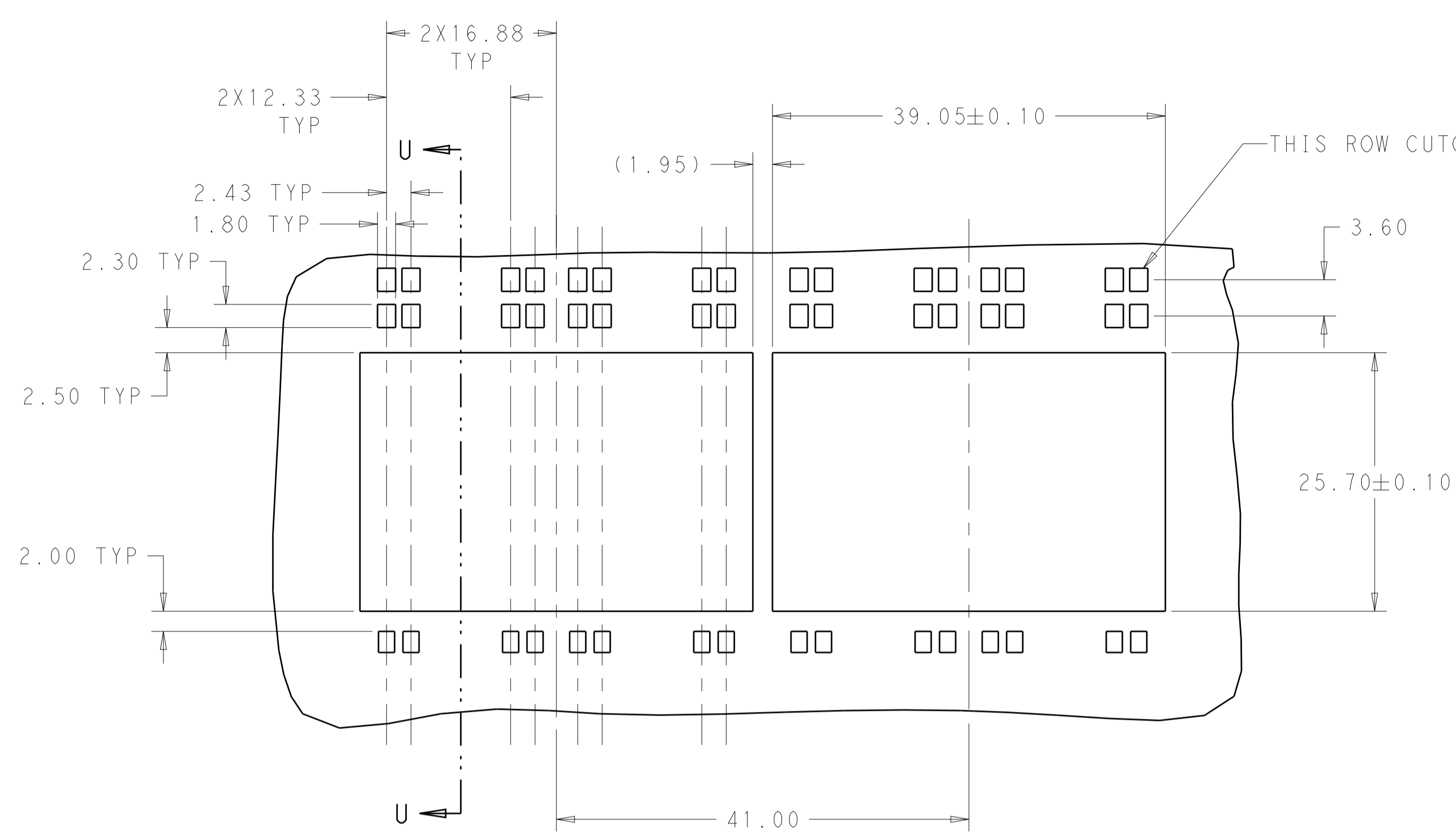


THIS DRAWING IS A CONTROLLED DOCUMENT.		DMN	TIM XUE	28JAN2016	<b>STE</b> TE Connectivity
DIMENSIONS:		CHK	SEAN HAN	28JAN2016	
mm	TOLERANCES UNLESS OTHERWISE SPECIFIED:	APVD	SEAN HAN	28JAN2016	NAME CAGE AND CONNECTOR ASSEMBLY WITH EMI SPRING FINGERS, THRU BEZEL, 2X2 ZQSFP+ STACKED WITH HS
	0 PLC ±	PRODUCT SPEC			
	1 PLC ±0.25	108-60102			SIZE
	2 PLC ±0.15	APPLICATION SPEC			CAGE CODE
	3 PLC ±	114-60015			DRAWING NO
	4 PLC ±	FINISH			RESTRICTED TO
	ANGLES	WEIGHT			A100779
MATERIAL	SEE NOTE 1	SEE NOTE 2			©=2299870
					CUSTOMER DRAWING
		SCALE	4:1	SHEET	7 OF 11
				REV	D

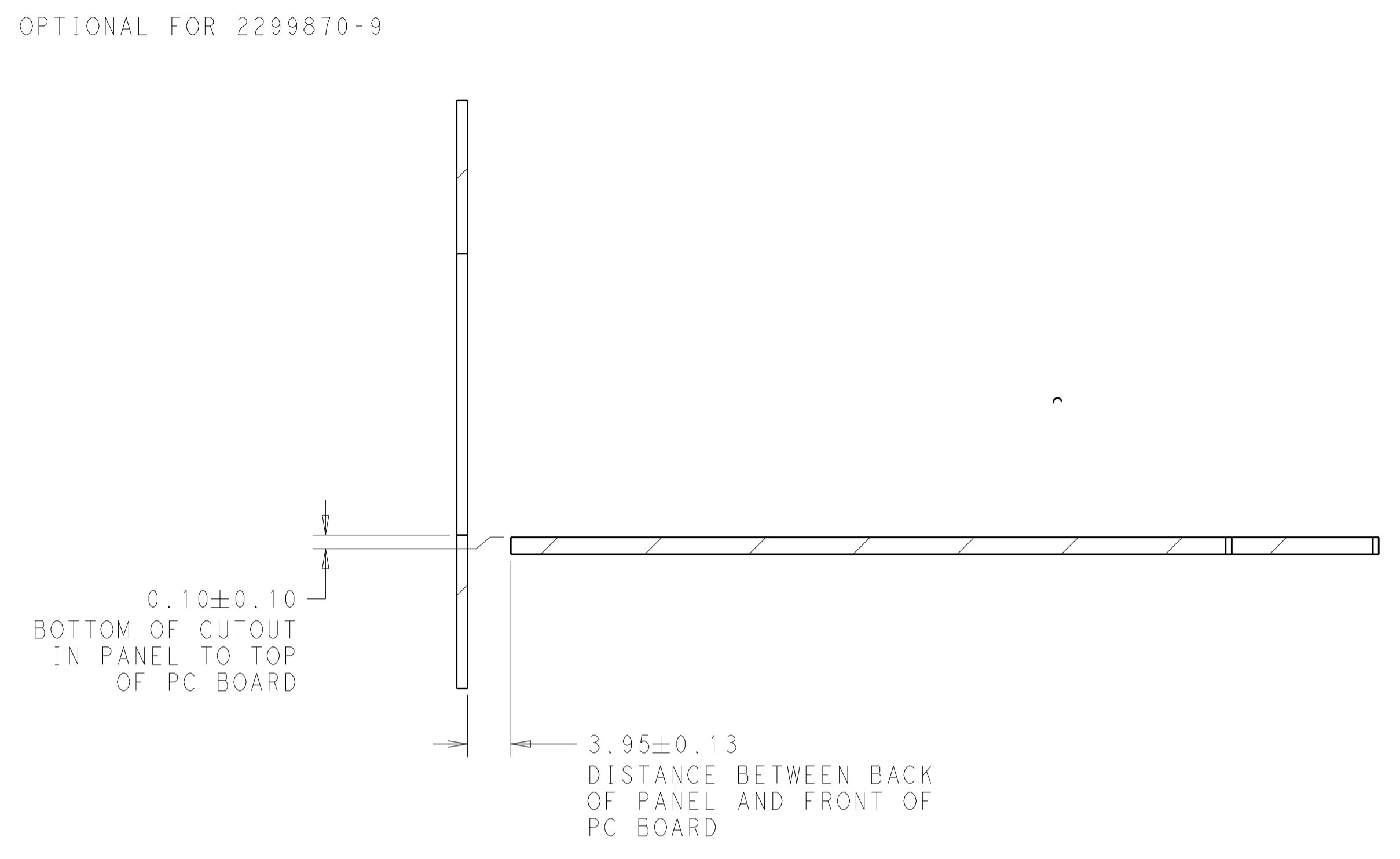
LOC	DIST	REV	DATE	BY	APPD
GP	00				

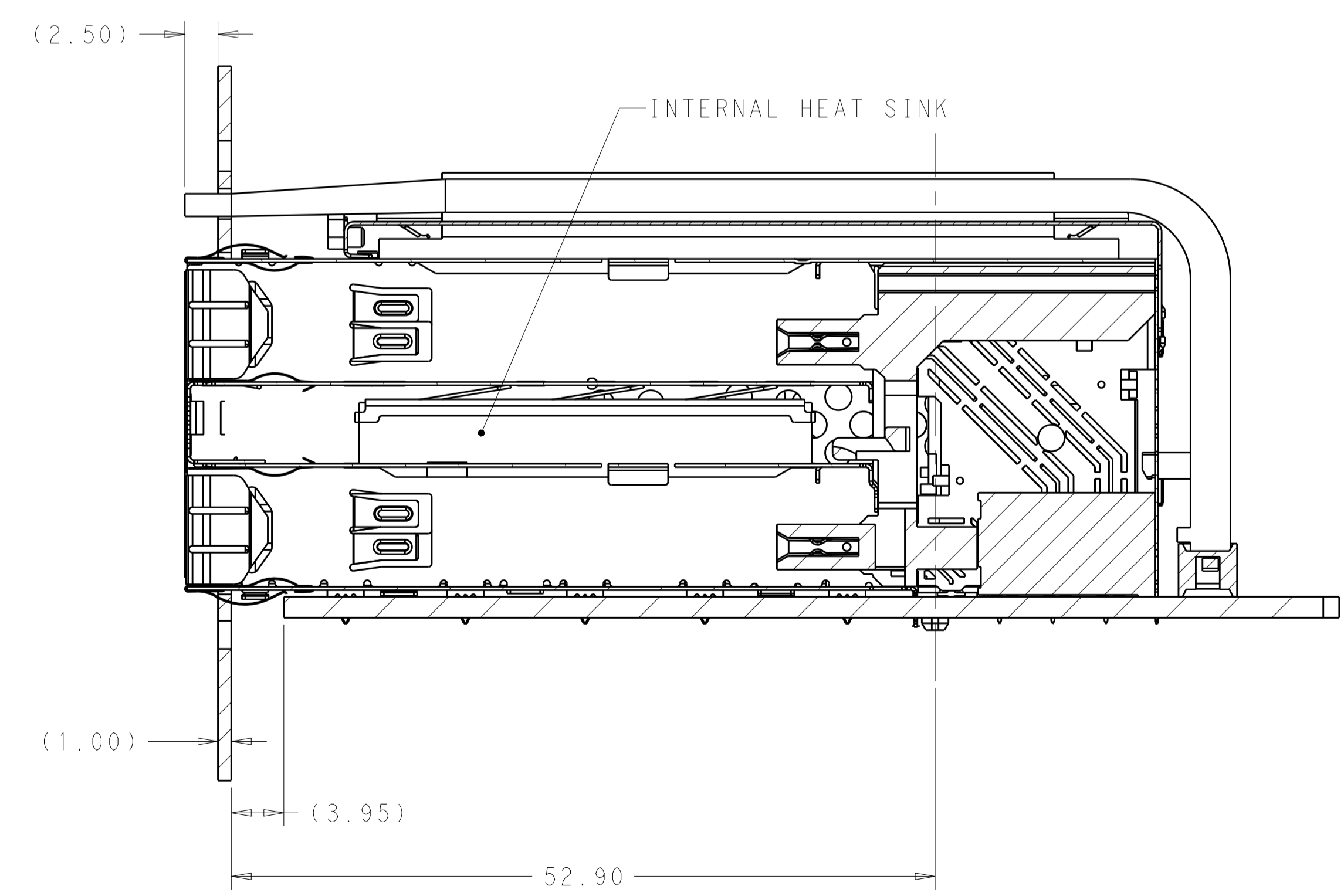
REVISIONS		DATE	BY	APPD
-	SEE SHEET 1	-	-	-



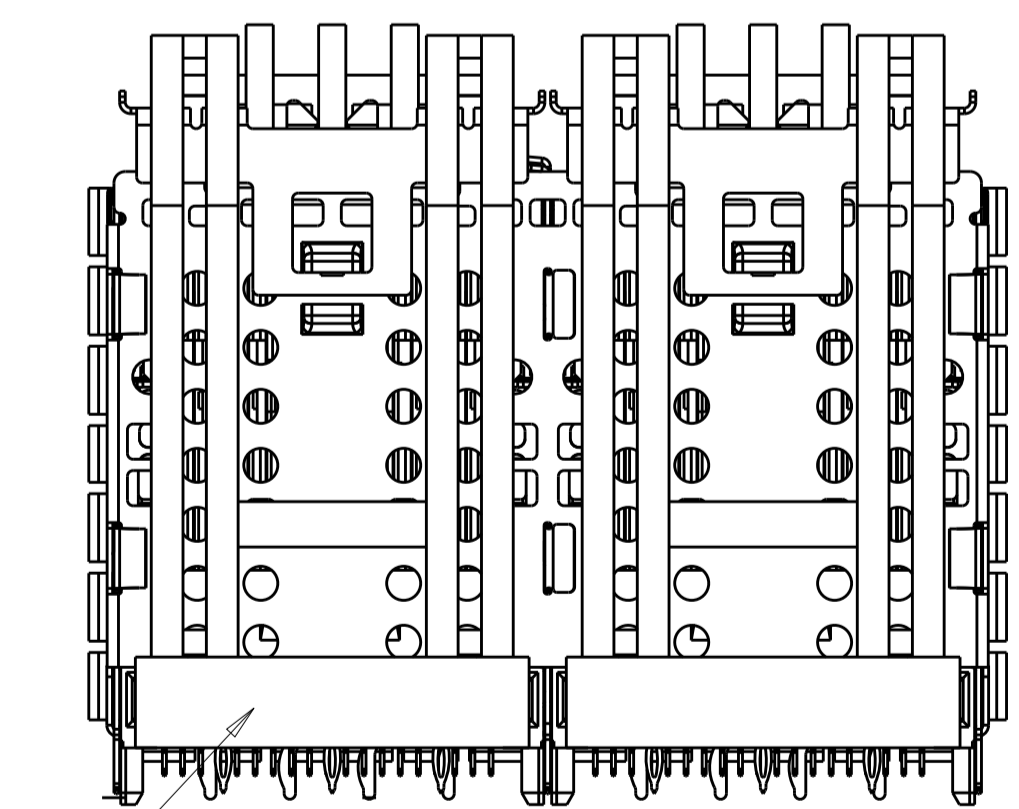
RECOMMENDED PANEL CUTOUT  
 AND PC BOARD PANEL POSITION  
 SCALE 5:2



SECTION U-U



2299870-1 BEZEL LOCATION AS SHOWN  
 SECTION V-V  
 SCALE 3:1

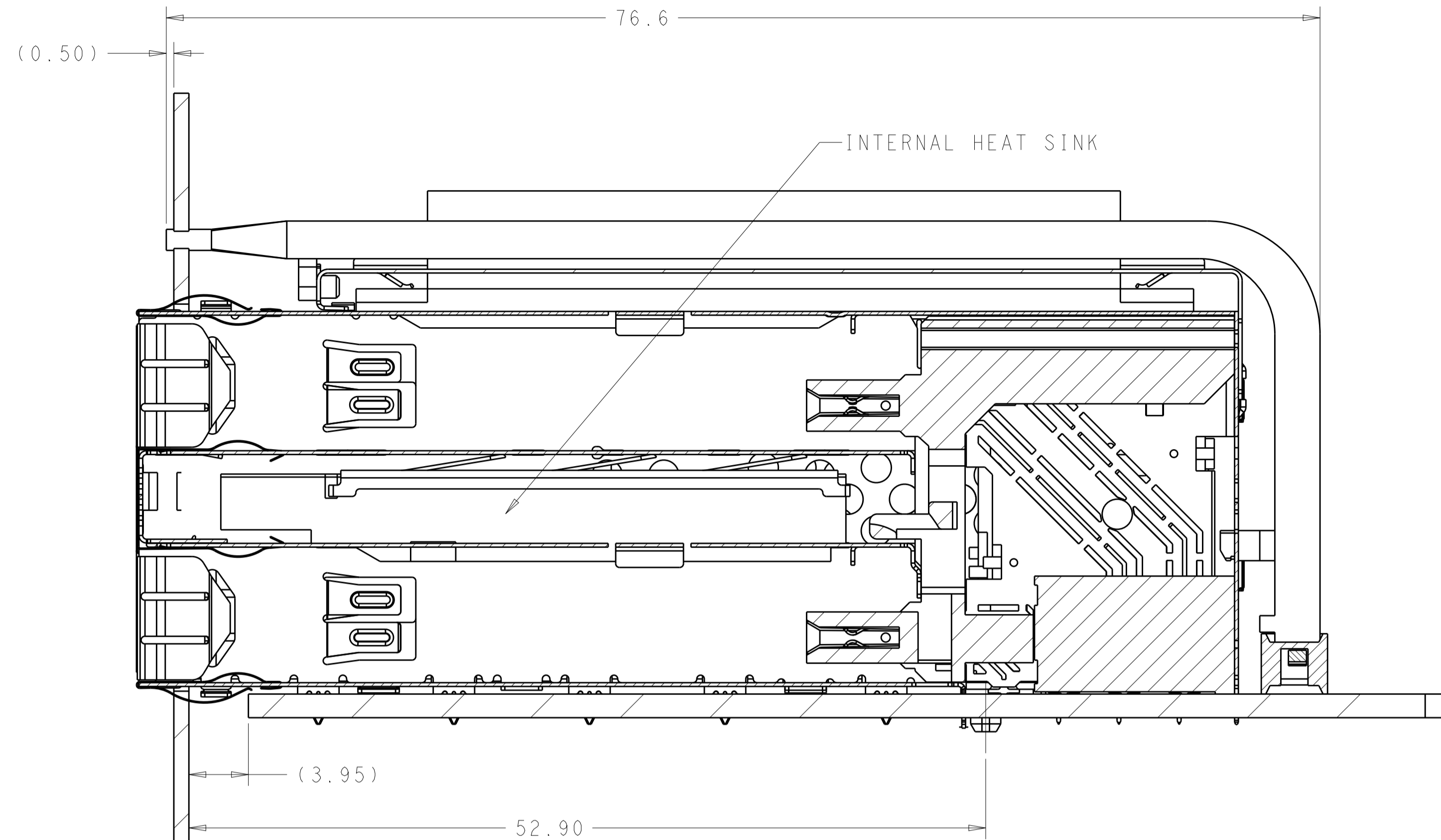


ORGNIZER

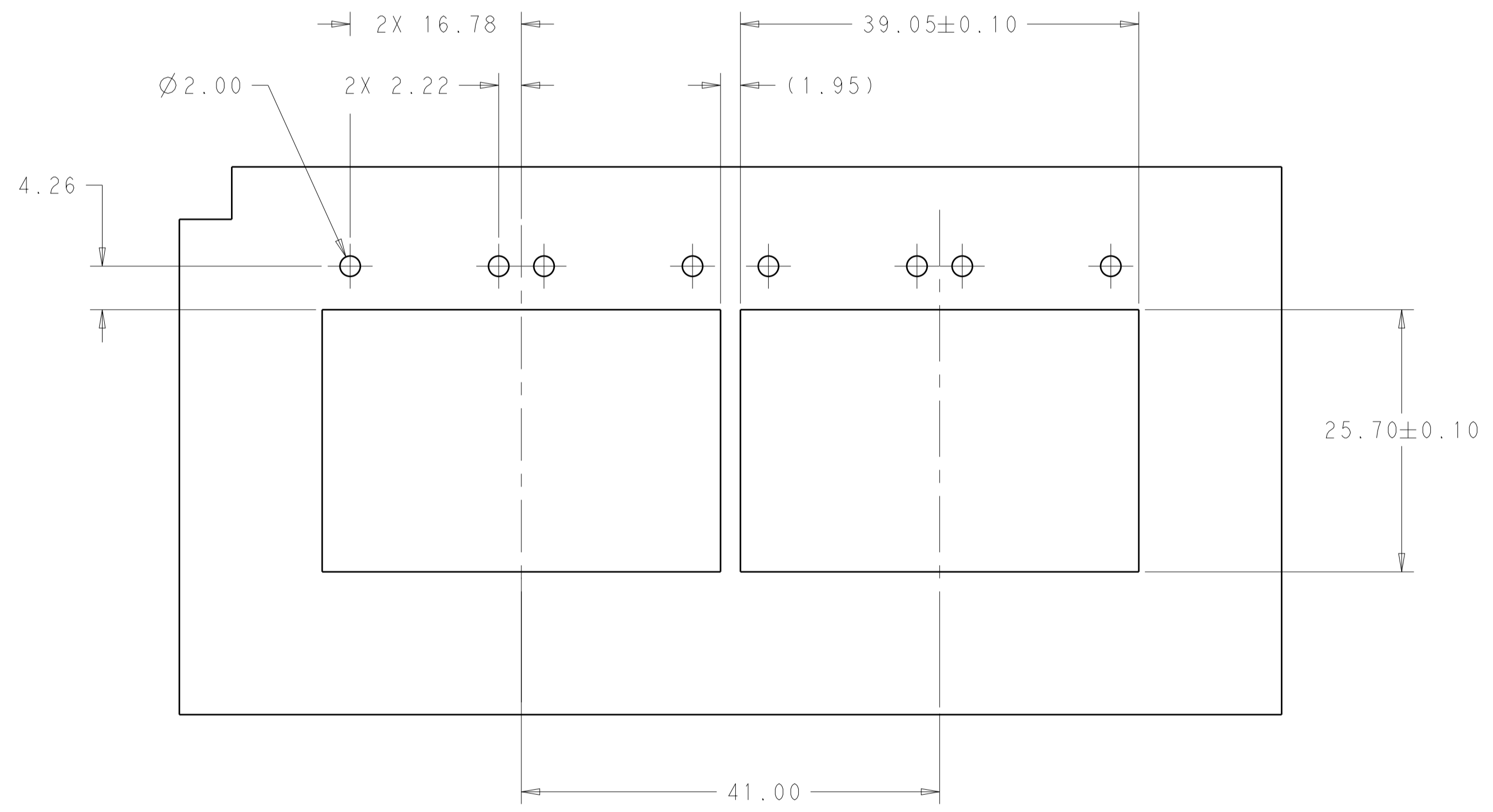
THIS DRAWING IS A CONTROLLED DOCUMENT.		OWN: TIM XUE 28JAN2016	TE Connectivity
DIMENSIONS: mm		CHK: SEAN HAN 28JAN2016	
TOLERANCES UNLESS OTHERWISE SPECIFIED:		APPD: SEAN HAN 28JAN2016	
0 PLC ± 1 PLC ±0.25 2 PLC ±0.15 3 PLC ± 4 PLC ± ANGLES ± FINISH ±		NAME: CAGE AND CONNECTOR ASSEMBLY WITH EMI SPRING FINGERS, THRU BEZEL, 2X2 ZQSF+ STACKED WITH HS PRODUCT SPEC: 108-60102 APPLICATION SPEC: SIZE: 114-60015 WEIGHT:	
MATERIAL: SEE NOTE 1	FINISH: SEE NOTE 2	RESTRICTED TO: CUSTOMER DRAWING	SCALE: 4:1 SHEET 8 OF 11 REV D



LOC	DIST	REVISIONS			
P	LTN	DESCRIPTION	DATE	DMN	APVD
-	-	SEE SHEET 1	-	-	-



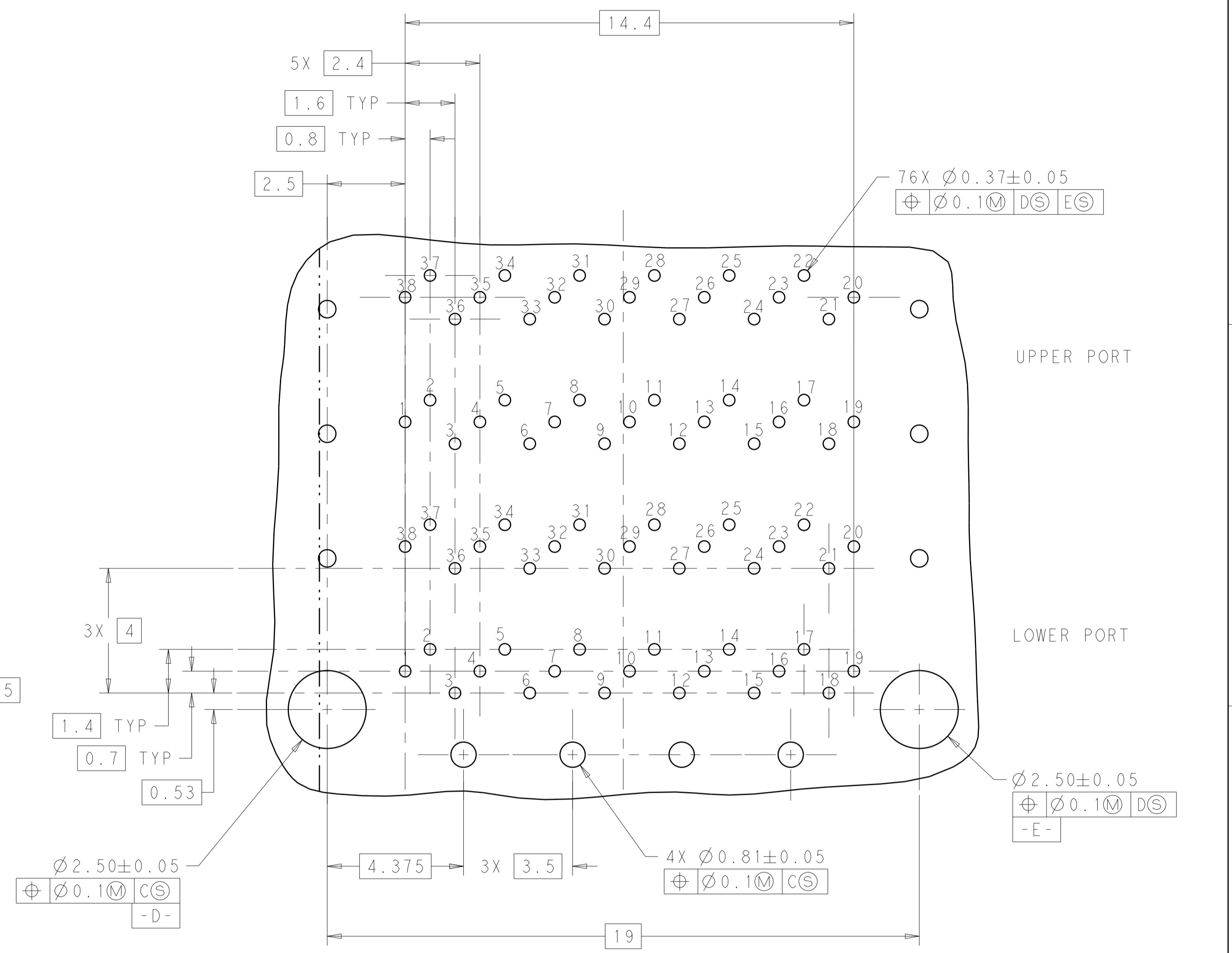
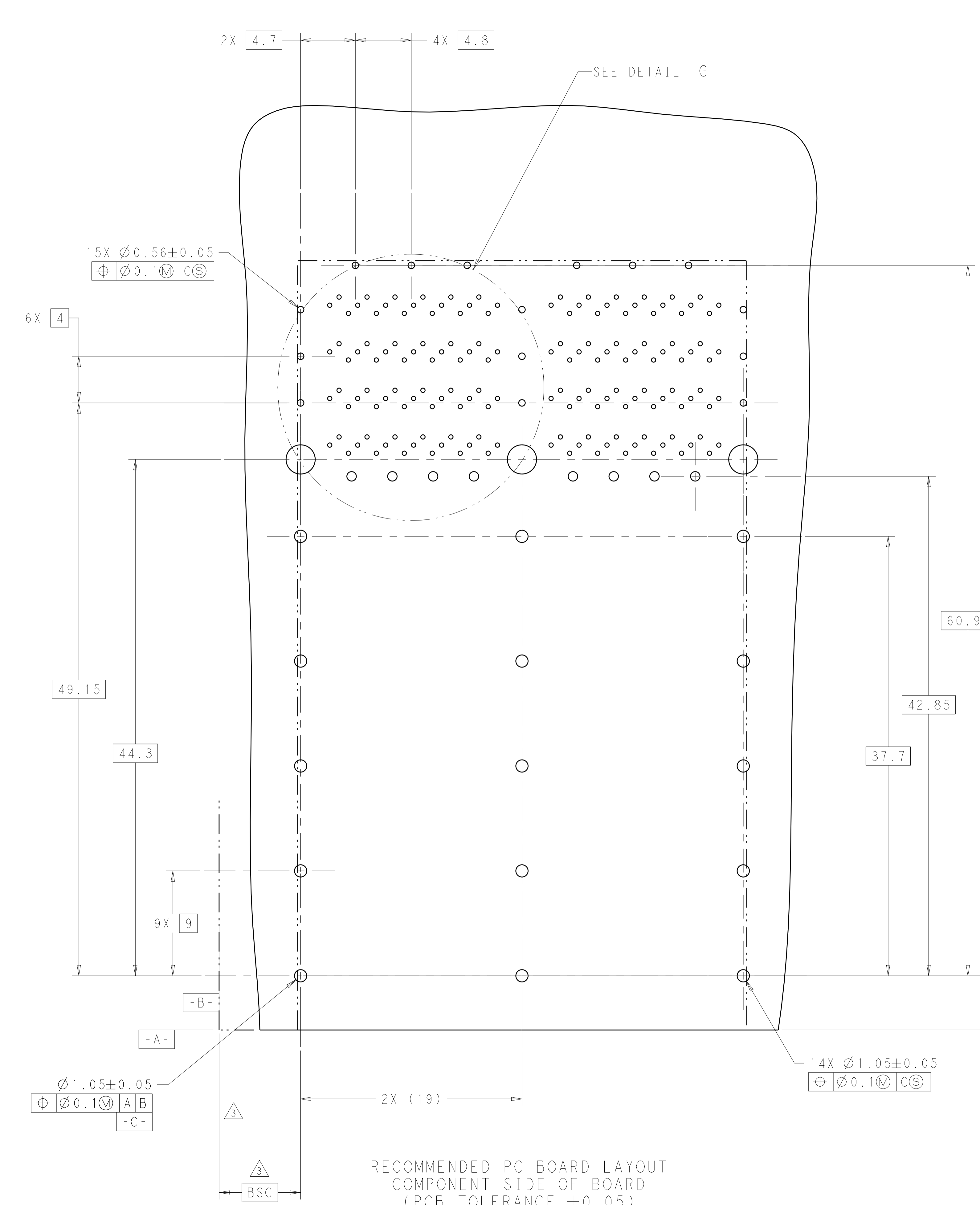
2299870-8  
 1-2299870-8  
 SECTION V-V  
 SCALE 4:1



2299870-8  
 1-2299870-0  
 1-2299870-8  
 RECOMMENDED PANEL CUTOUT  
 SCALE 5:2

THIS DRAWING IS A CONTROLLED DOCUMENT.		DMN TIM XUE 28JAN2016	TE Connectivity
DIMENSIONS: mm		CHK SEAN HAN 28JAN2016	
TOLERANCES UNLESS OTHERWISE SPECIFIED:		APVD SEAN HAN 28JAN2016	NAME CAGE AND CONNECTOR ASSEMBLY WITH EMI SPRING FINGERS, THRU BEZEL, 2X2 ZQSP+ STACKED WITH HS
0 PLC ±	1 PLC ±0.25	PRODUCT SPEC 108-60102	SIZE 114-60015
2 PLC ±	3 PLC ±0.15	APPLICATION SPEC	CAGE CODE A100779
4 PLC ±	ANGLES ±	WEIGHT	DRAWING NO C=2299870
MATERIAL SEE NOTE 1	FINISH SEE NOTE 2	CUSTOMER DRAWING	RESTRICTED TO SCALE 4:1 SHEET 9 OF 11 REV D

LOC	DIST	REVISIONS			
GP	00	REV	DATE	BY	APPD
-	-	SEE SHEET 1	-	-	-



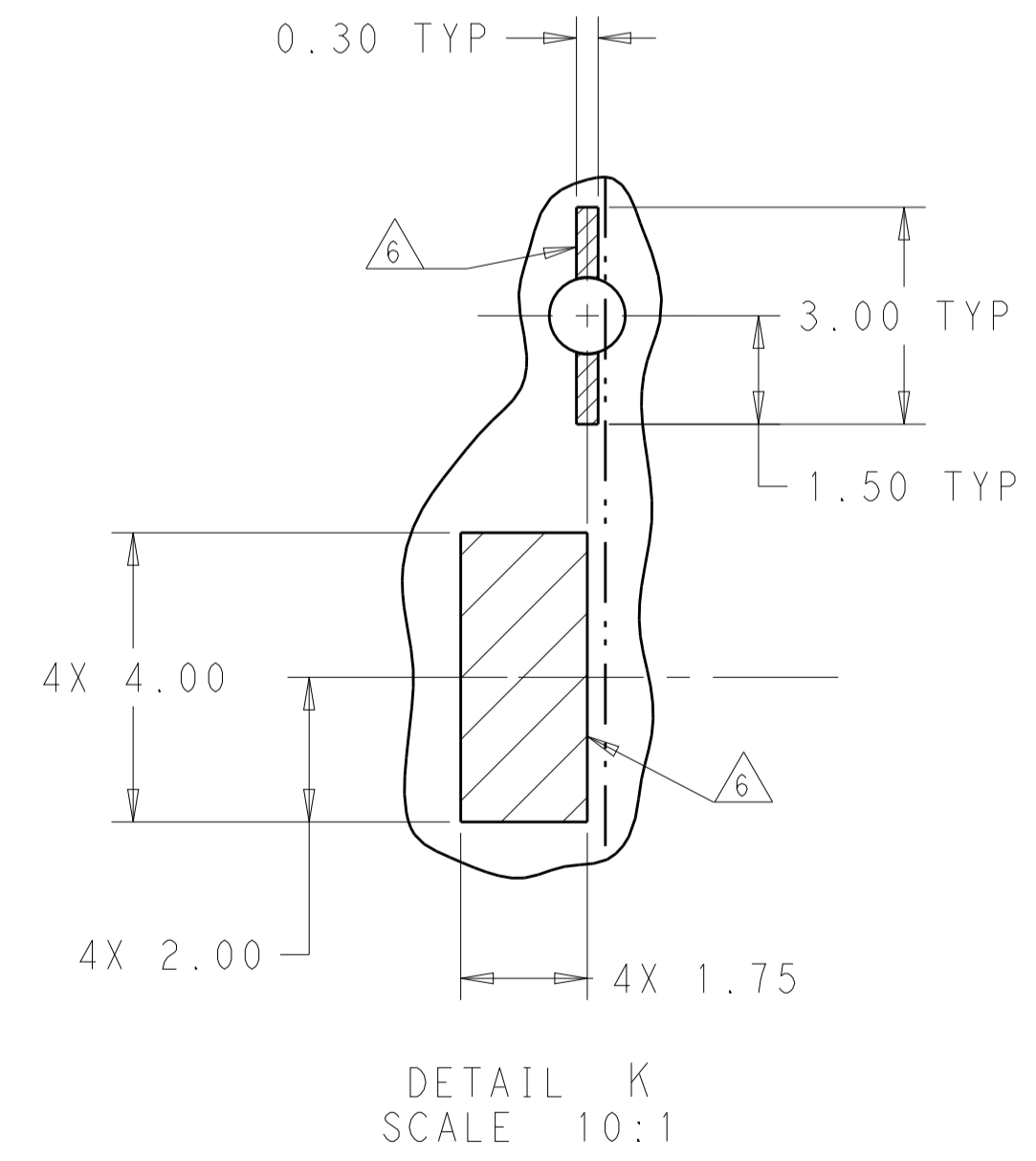
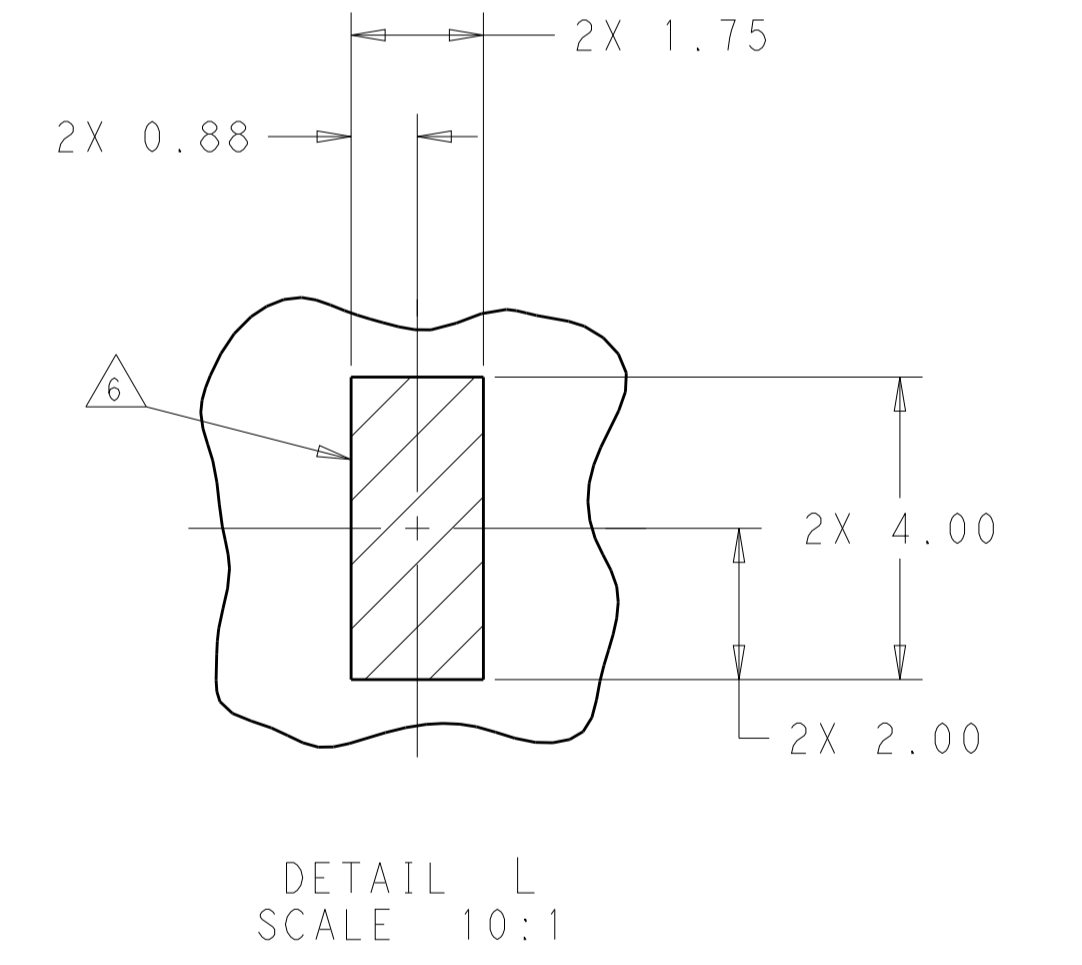
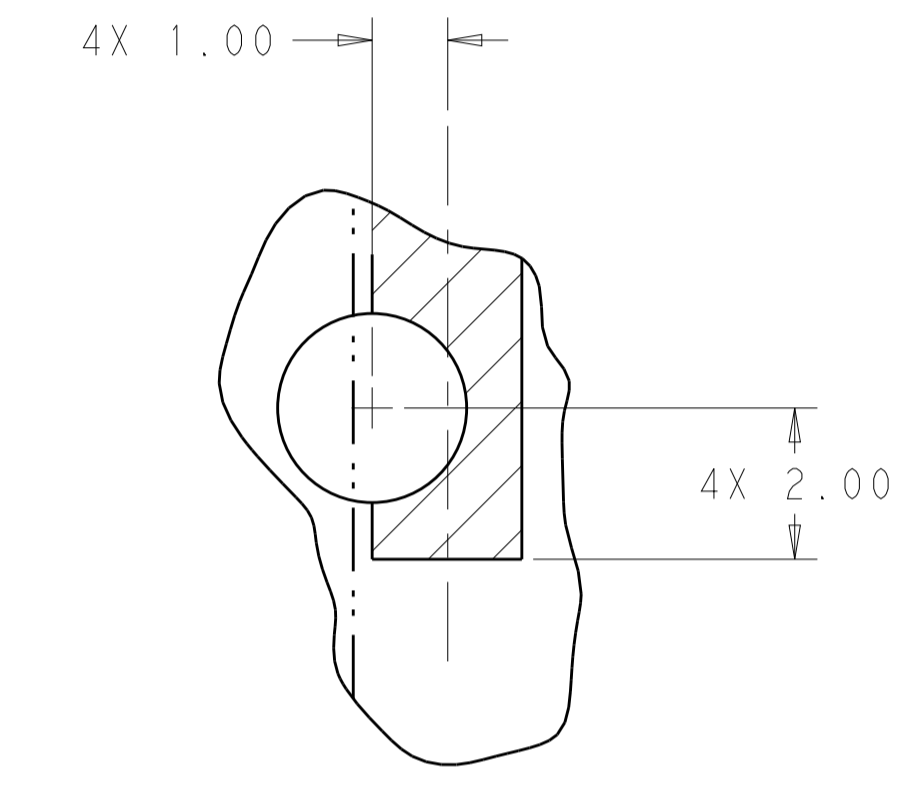
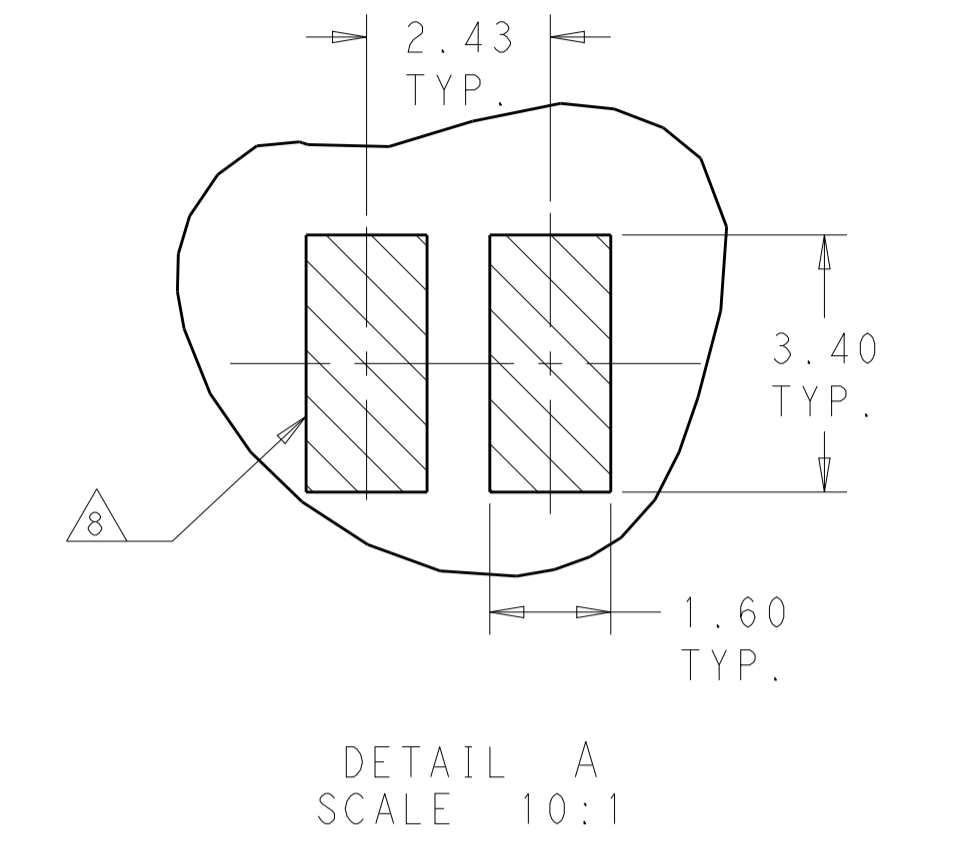
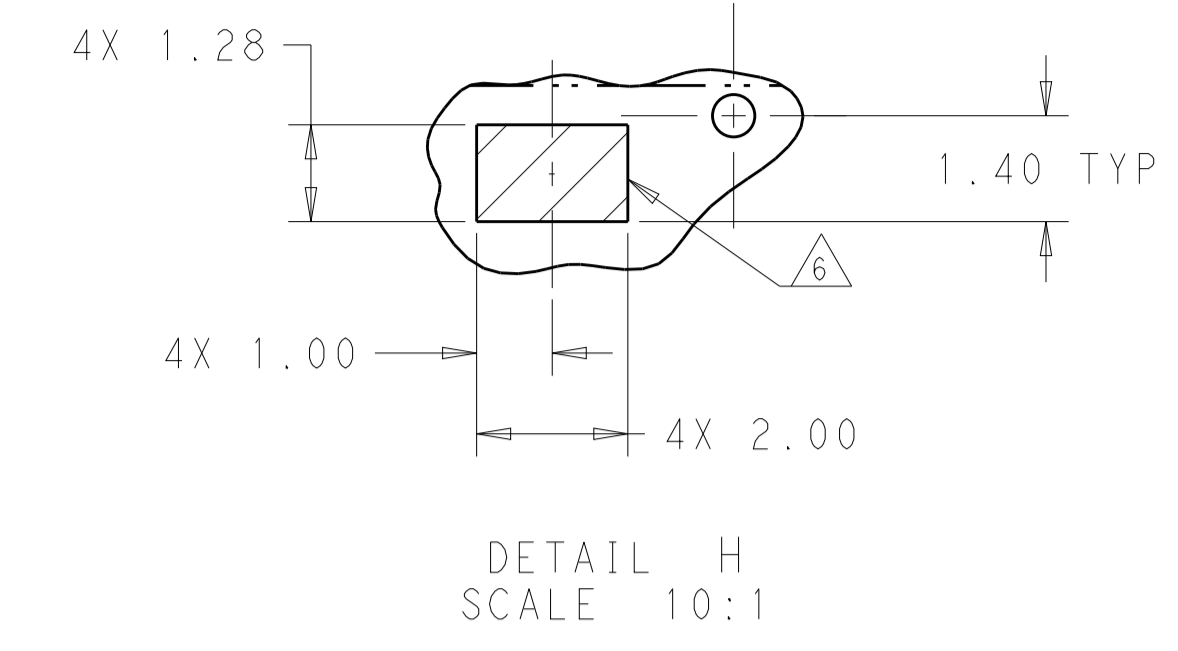
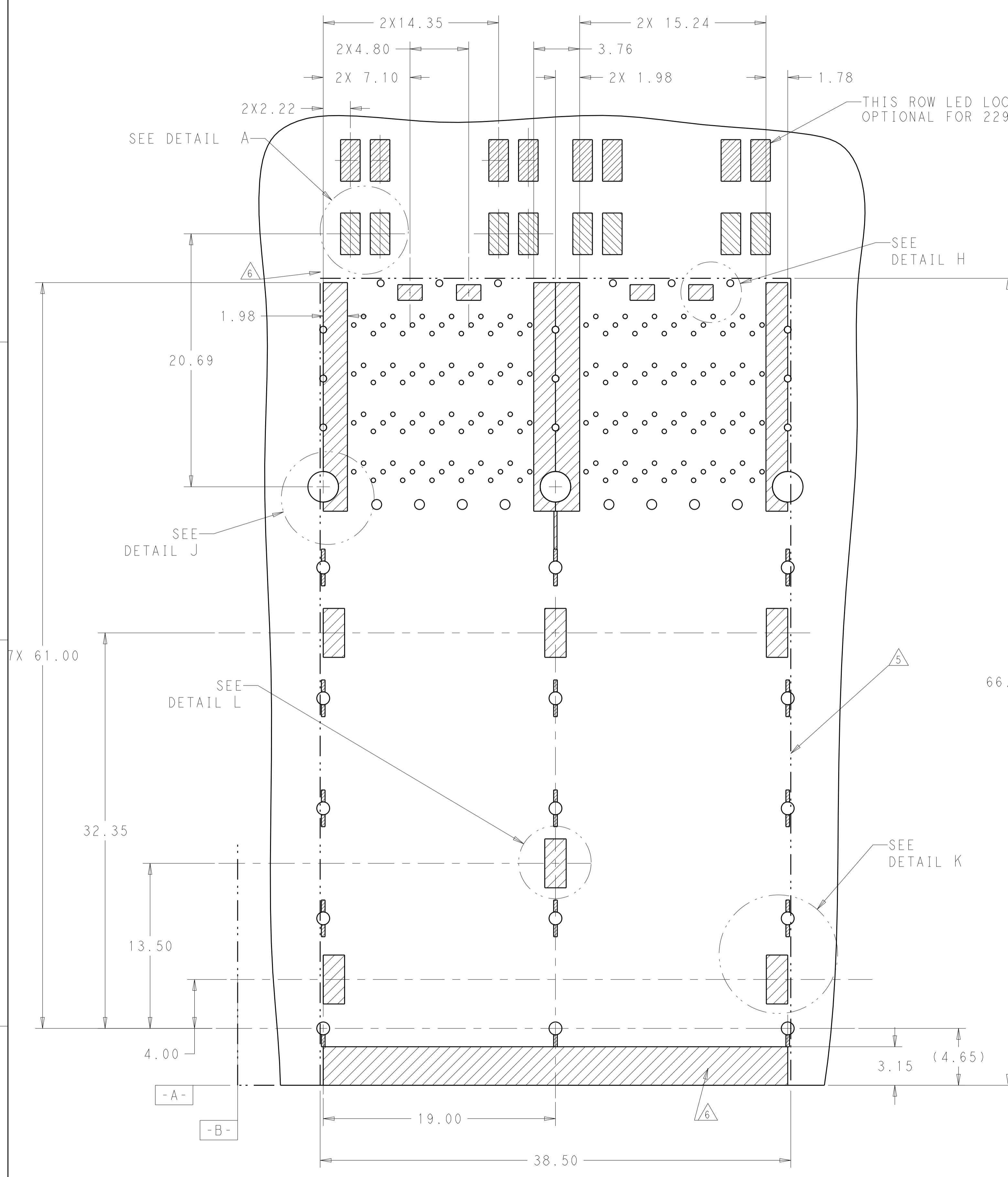
RECOMMENDED PC BOARD LAYOUT  
 COMPONENT SIDE OF BOARD  
 (PCB TOLERANCE  $\pm 0.05$ )  
 SCALE 5:1

THIS DRAWING IS A CONTROLLED DOCUMENT.		OWN: TIM XUE 28JAN2016	TE Connectivity
DIMENSIONS: mm		CHK: SEAN HAN 28JAN2016	
TOLERANCES UNLESS OTHERWISE SPECIFIED:		APPD: SEAN HAN 28JAN2016	NAME: CAGE AND CONNECTOR ASSEMBLY WITH EMI SPRING FINGERS, THRU BEZEL, 2X2 ZQSFP+ STACKED WITH HS
0 PLC $\pm$	1 PLC $\pm 0.25$	PRODUCT SPEC: 108-60102	SIZE: 114-60015
2 PLC $\pm 0.15$	3 PLC $\pm$	APPLICATION SPEC: 114-60015	WEIGHT: -
4 PLC $\pm$	ANGLES $\pm$	MATERIAL: -	FINISH: -
SEE NOTE 1	SEE NOTE 2	CUSTOMER DRAWING	SCALE: 4:1 SHEET 10 OF 11 REV D

LOC	DIST	REV	DATE	BY	APPV
GP	00				

REVISIONS			
REV	DATE	BY	APPV
-	-	-	-
-	-	-	-



KEEPOUT AREAS  
 COMPONENT SIDE OF BOARD  
 (PCB TOLERANCE ±0.05)  
 SCALE 5:1

THIS DRAWING IS A CONTROLLED DOCUMENT.		OWN: TIM XUE 28JAN2016	TE Connectivity
DIMENSIONS: mm		CHK: SEAN HAN 28JAN2016	
TOLERANCES UNLESS OTHERWISE SPECIFIED:		APPV: SEAN HAN 28JAN2016	NAME: CAGE AND CONNECTOR ASSEMBLY WITH EMI SPRING FINGERS, THRU BEZEL, 2X2 ZQSF+ STACKED WITH HS
0 PLC ±0.25	1 PLC ±0.15	PRODUCT SPEC: 108-60102	SIZE: 114-60015
2 PLC ±0.15	3 PLC ±0.15	APPLICATION SPEC: 114-60015	RESTRICTED TO: A100779C=2299870
4 PLC ±0.15	5 PLC ±0.15	WEIGHT: -	SCALE: 4:1
ANGLES: -	FINISH: -	CUSTOMER DRAWING	SHEET 11 OF 11 REV D