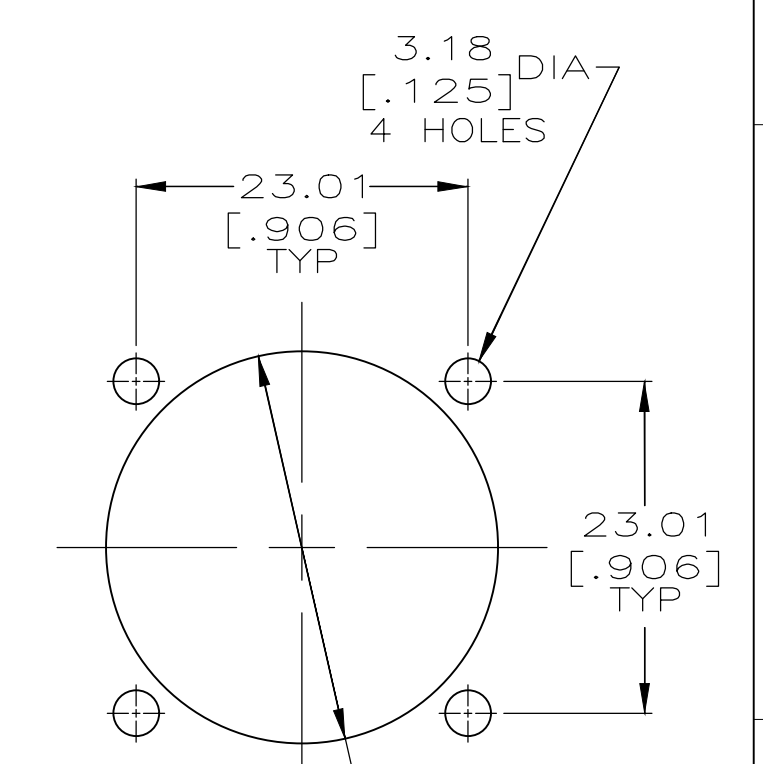
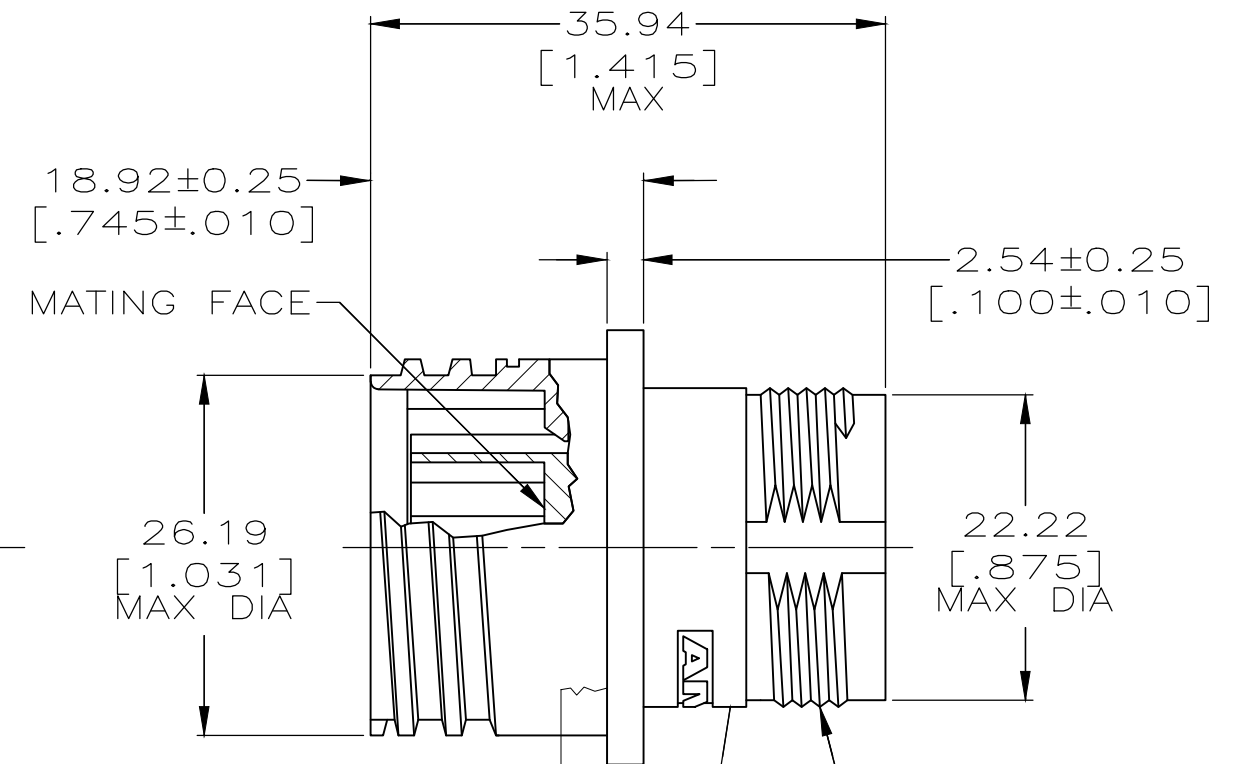
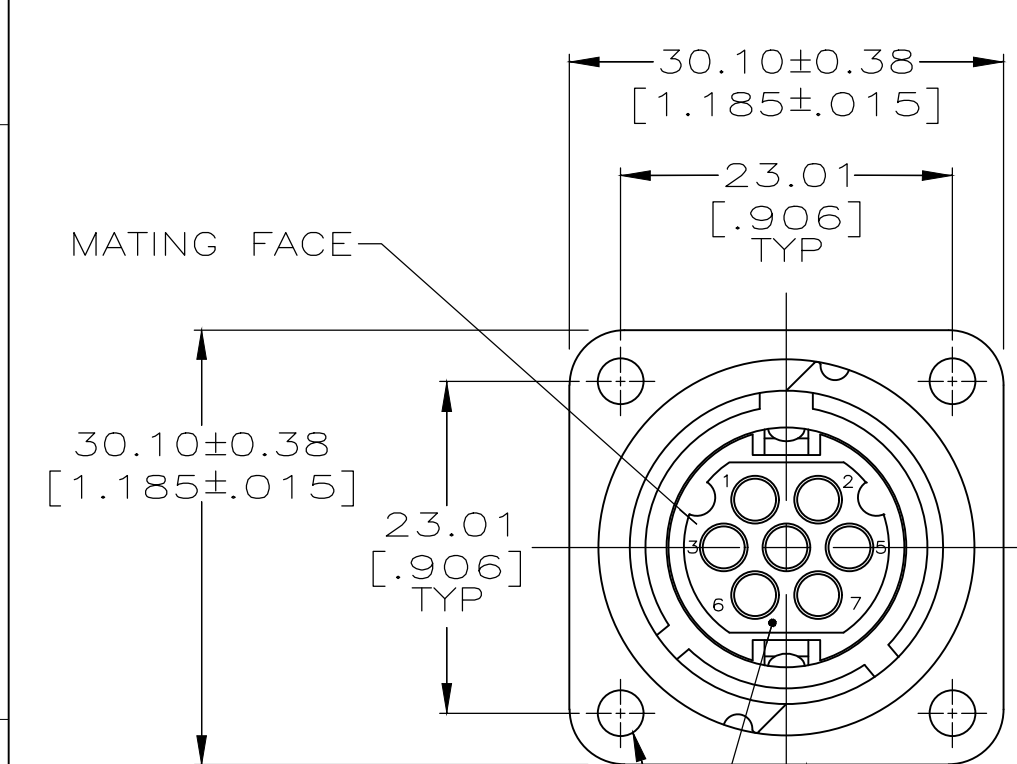


THIS DRAWING IS UNPUBLISHED. RELEASED FOR PUBLICATION
 © COPYRIGHT - TE Connectivity Ltd. ALL RIGHTS RESERVED.

REVISIONS					
P	LTR	DESCRIPTION	DATE	DWN	APVD
	F	REVISED PER ECO-18-007013	21MAY2018	KH	MZ



PIN HOUSING MATERIAL: THERMOPLASTIC
 COLOR: BLACK

PART NUMBER AND DATE CODE MARKED ON ANY ANY FLANGE EDGE.

SHELL, RECEPTACLE MATERIAL: ZINC PER QQ-Z-363
 FINISH: NICKEL PER QQ-N-290 OVER COPPER PER MIL-C-14550

1. THIS CONNECTOR ACCEPTS SEVEN (7) SIZE 16 MULTIMATE PIN CONTACTS. MAXIMUM WIRE INSULATION DIA = 2.67 [.105].
2. THIS CONNECTOR MATES WITH AMP P/N 208714-1.

208715-1
 PART NO

THIS DRAWING IS A CONTROLLED DOCUMENT.		DWN K.FOLTZ 08/24/94	TE Connectivity Ltd.														
DIMENSIONS: mm [INCHES]		CHK R.STONE 08/25/94															
TOLERANCES UNLESS OTHERWISE SPECIFIED:		APVD A.FRANTUM	NAME RECEPTACLE ASSY, SERIES 1, CLASS A, ARRANGEMENT 14-7, STANDARD SEX, CMC														
<table border="0"> <tr> <td>0 PLC</td> <td>± -</td> </tr> <tr> <td>1 PLC</td> <td>± -</td> </tr> <tr> <td>2 PLC</td> <td>± 0.13 [.005]</td> </tr> <tr> <td>3 PLC</td> <td>± -</td> </tr> <tr> <td>4 PLC</td> <td>± -</td> </tr> <tr> <td>ANGLES</td> <td>± -</td> </tr> </table>		0 PLC	± -	1 PLC	± -	2 PLC	± 0.13 [.005]	3 PLC	± -	4 PLC	± -	ANGLES	± -	PRODUCT SPEC -	SIZE A3		
0 PLC	± -																
1 PLC	± -																
2 PLC	± 0.13 [.005]																
3 PLC	± -																
4 PLC	± -																
ANGLES	± -																
MATERIAL SEE CALLOUTS		FINISH SEE CALLOUTS	APPLICATION SPEC -	CAGE CODE 00779	DRAWING NO C-208715												
		WEIGHT 0	RESTRICTED TO -	SCALE 2:1	SHEET 1 OF 1												
CUSTOMER DRAWING			REV F														