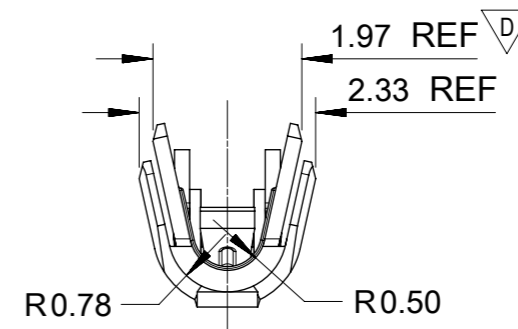
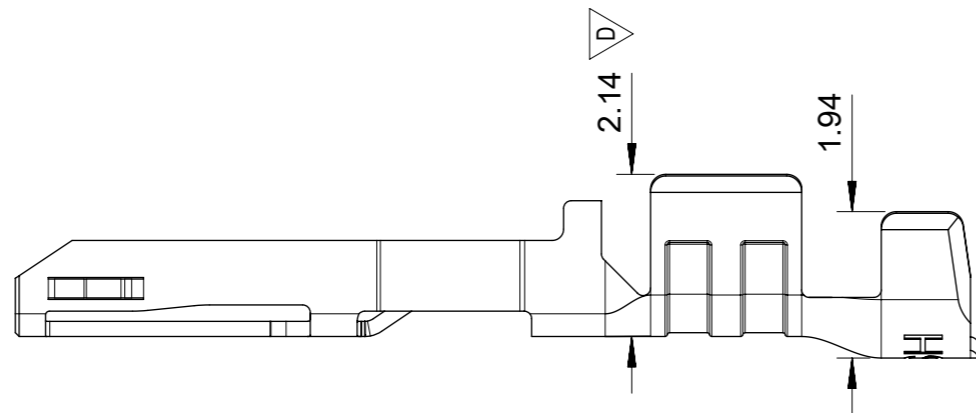


NOTES:

1. MATERIAL: HIGH CONDUCTIVITY COPPER ALLOY.
2. PLATING FINISH SEE CHART IN SHEET 3.
3. PRODUCT SPECIFICATION: PS-105300-100.
4. PACKAGE SPECIFICATION: PK-105300-100.
5. THE TERMINAL IS LUBRICATED.
6. THE COMPONENT COMPLIANT TO RoHS DIRECTIVE 2011/65/EU AND ELV DIRECTIVE 2000/53/EC.
7. PRODUCT APPLY TO RECEPTACLE HOUSING OF 105307-**** AND 105308-****.
8. PARTS CONFORM TO CLASS 'B' REQUIREMENTS OF COSMETIC SPECIFICATION PS-45499-002.
9. APPLICATION SPECIFICATION: AS-105300-100.
10. RECOMMENDED INSULATOR:
20AWG WIRE, OD 1.60MM MAX.
24AWG WIRE, OD 1.30MM MAX.

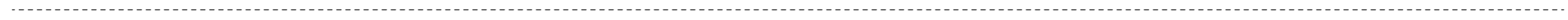
THIS DRAWING CONTAINS INFORMATION THAT IS PROPRIETARY TO MOLEX ELECTRONIC TECHNOLOGIES, LLC AND SHOULD NOT BE USED WITHOUT WRITTEN PERMISSION											
QUALITY SYMBOLS		2017/03/29		2017/05/15		GENERAL TOLERANCES (UNLESS SPECIFIED)		DIMENSION UNITS		SCALE	
FA	= 0	EC NO: 115635 DRWN: GLLI CHK'D: AYIN REV APPR: AYIN		DRAFT WHERE APPLICABLE MUST REMAIN WITHIN DIMENSIONS		ANGULAR TOL ± 3.0 °		MM		10:1	
FE	= 0					4 PLACES ±		DRWN BY		DATE	
FB	= 0					3 PLACES ±		GLLI		2015/03/18	
FC	= 0					2 PLACES ± 0.15		CHK'D BY		DATE	
FD	= 0					1 PLACE ± 0.20		APPR BY		DATE	
FE	= 0	0 PLACES ±		AYIN		2015/04/08		CRIMP TERMINAL FOR NANO-FIT RECEPTACLE POWER CONNECTOR			
FF	= 0			DRAWING SIZE		THIRD ANGLE PROJECTION		PRODUCT CUSTOMER DRAWING			
FG	= 0			A3				SERIES		MATERIAL NUMBER	
FH	= 0							105300		SEE SHEET 3	
FI	= 0							CUSTOMER		GENERAL MARKET	
FJ	= 0							DOCUMENT NUMBER		DOC TYPE	
								SD-105300-100		PSD	
								DOC PART		SHEET NUMBER	
								000		1 OF 3	

E

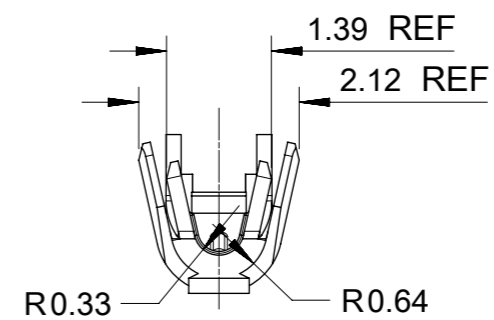
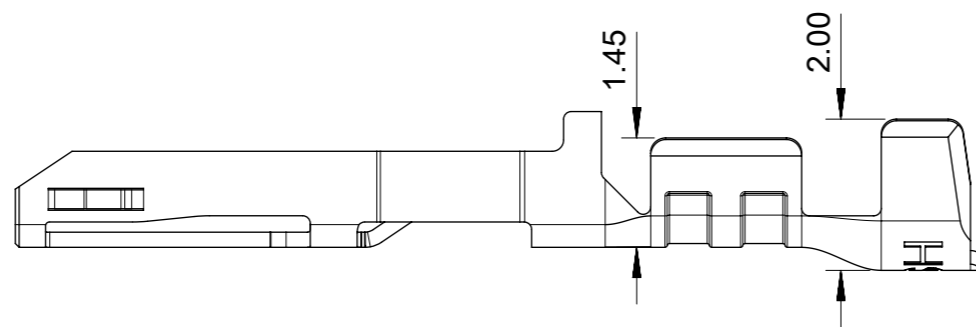


ONLY FOR WIRE OF AWG 20/22

D



C

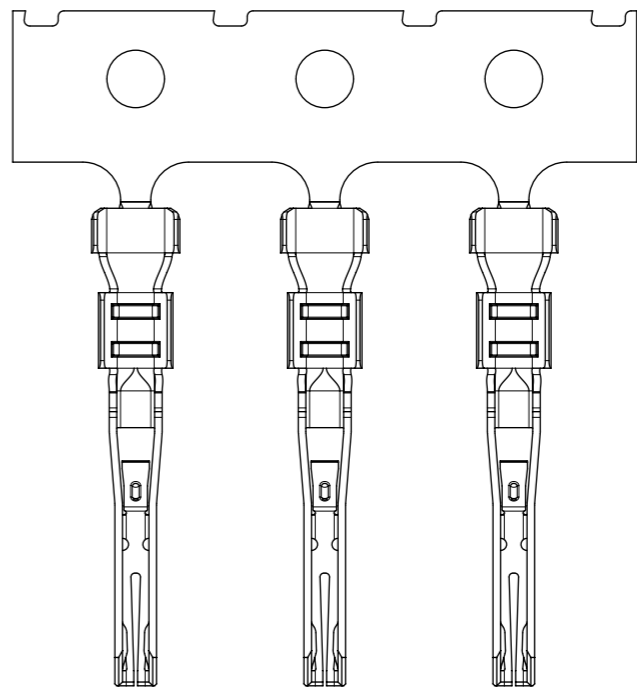
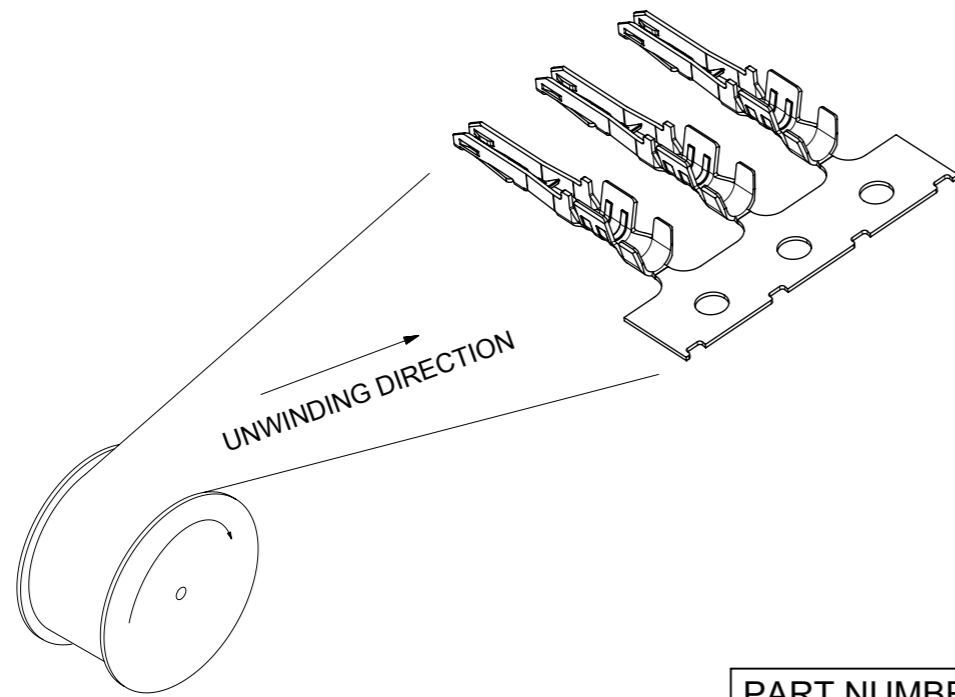


ONLY FOR WIRE OF AWG 24/26

B

A

QUALITY SYMBOLS FA = 0 FE = 0 FP = 0 FV = 0 FC = 0 FX = 0 FS = 0 FT = 0	THIS DRAWING CONTAINS INFORMATION THAT IS PROPRIETARY TO MOLEX ELECTRONIC TECHNOLOGIES, LLC AND SHOULD NOT BE USED WITHOUT WRITTEN PERMISSION											
	EC NO: 115635 DRWN: GLLI CHK'D: AYIN APPR: AYIN	2017/03/29	2017/05/15	GENERAL TOLERANCES (UNLESS SPECIFIED)		DIMENSION UNITS	SCALE					
				ANGULAR TOL ± 3.0 °		MM	10:1					
		4 PLACES	±			DRWN BY	DATE	CRIMP TERMINAL FOR NANO-FIT RECEPTACLE POWER CONNECTOR				
		3 PLACES	±			GLLI	2015/03/18					
		2 PLACES	±	0.15			CHK'D BY					DATE
	1 PLACE	±	0.20			APPR BY	DATE	PRODUCT CUSTOMER DRAWING				
	0 PLACES	±				AYIN	2015/04/08	SERIES	MATERIAL NUMBER	CUSTOMER		
	DRAFT WHERE APPLICABLE MUST REMAIN WITHIN DIMENSIONS					DRAWING SIZE	THIRD ANGLE PROJECTION	105300	SEE SHEET 3	GENERAL MARKET		
						A3		DOCUMENT NUMBER		DOC TYPE	DOC PART	SHEET NUMBER
							SD-105300-100		PSD	000	2 OF 3	



PART NUMBER	PLATING TYPE	WIRE SIZE(AWG)
105300-1200	B	24/26
105300-1300	C	
105300-2200	B	20/22
105300-2300	C	

D

PLATING SPECIFICATION	
B	GOLD PLATING 0.38 MICRONS MINIMUM ON CONTACT AREA, BRIGHT TIN 2.5 MICRONS MINIMUM ON CONTACT AREA, UNDER NICKEL PLATING 1.25 MICRONS MINIMUM OVERALL.
C	GOLD PLATING 0.76 MICRONS MINIMUM ON CONTACT AREA, BRIGHT TIN 2.5 MICRONS MINIMUM ON CONTACT AREA, UNDER NICKEL PLATING 1.25 MICRONS MINIMUM OVERALL.

D

QUALITY SYMBOLS FA = 0 FE = 0 FP = 0 TV = 0 TC = 0 X = 0 ■ = 0 V = 0	THIS DRAWING CONTAINS INFORMATION THAT IS PROPRIETARY TO MOLEX ELECTRONIC TECHNOLOGIES, LLC AND SHOULD NOT BE USED WITHOUT WRITTEN PERMISSION										
	2017/03/29	2017/05/15	GENERAL TOLERANCES (UNLESS SPECIFIED)		DIMENSION UNITS	SCALE					
			ANGULAR TOL ± 3.0 °		MM	5:1					
	EC NO: 115635 DRWN: GLLI CHK'D: APPR: AYIN	4 PLACES	±	DRWN BY		DATE		CRIMP TERMINAL FOR NANO-FIT RECEPTACLE POWER CONNECTOR PRODUCT CUSTOMER DRAWING SERIES: 105300 MATERIAL NUMBER: SEE CHART CUSTOMER: GENERAL MARKET DOCUMENT NUMBER: SD-105300-100 DOC TYPE: PSD DOC PART: 000 SHEET NUMBER: 3 OF 3			
		3 PLACES	±	GLLI		2015/03/18					
		2 PLACES	± 0.15	CHK'D BY		DATE					
		1 PLACE	± 0.20	APPR BY		DATE					
		0 PLACES	±	AYIN		2015/04/08					
		DRAFT WHERE APPLICABLE MUST REMAIN WITHIN DIMENSIONS		DRAWING SIZE	THIRD ANGLE PROJECTION						
		D	REV	A3							