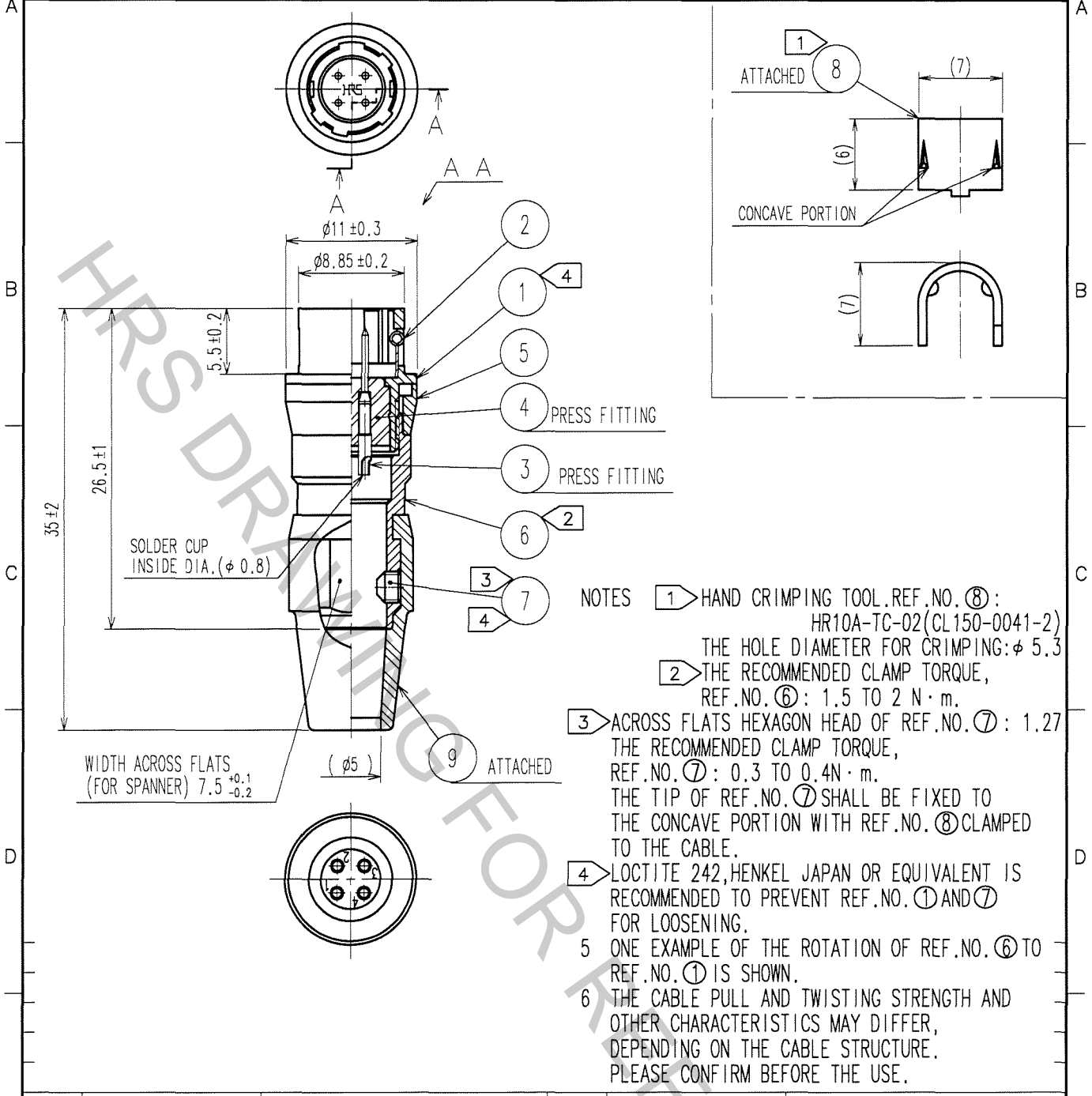


Sep.1.2018 Copyright 2018 HIROSE ELECTRIC CO., LTD. All Rights Reserved.
 In case that the application demands a high level of reliability, such as automotive,
 please contact a company representative for further information.

1		2			3			4		
COUNT	DESCRIPTION OF REVISIONS	BY	CHKD	DATE	COUNT	DESCRIPTION OF REVISIONS	BY	CHKD	DATE	
△					△					
△					△					
△					△					



- NOTES
- ① HAND CRIMPING TOOL, REF. NO. ⑧: HR10A-TC-02 (CL150-0041-2)
 - ② THE HOLE DIAMETER FOR CRIMPING: φ 5.3
 - ③ THE RECOMMENDED CLAMP TORQUE, REF. NO. ⑥: 1.5 TO 2 N·m.
 - ④ ACROSS FLATS HEXAGON HEAD OF REF. NO. ⑦: 1.27 THE RECOMMENDED CLAMP TORQUE, REF. NO. ⑦: 0.3 TO 0.4 N·m.
 - ⑤ THE TIP OF REF. NO. ⑦ SHALL BE FIXED TO THE CONCAVE PORTION WITH REF. NO. ⑧ CLAMPED TO THE CABLE.
 - ⑥ LOCTITE 242, HENKEL JAPAN OR EQUIVALENT IS RECOMMENDED TO PREVENT REF. NO. ① AND ⑦ FOR LOOSENING.
 - ⑦ ONE EXAMPLE OF THE ROTATION OF REF. NO. ⑥ TO REF. NO. ① IS SHOWN.
 - ⑧ THE CABLE PULL AND TWISTING STRENGTH AND OTHER CHARACTERISTICS MAY DIFFER, DEPENDING ON THE CABLE STRUCTURE. PLEASE CONFIRM BEFORE THE USE.

4	POLYAMIDE	(BLACK) UL94V-0	9	CHLOROPRENE RUBBER	(BLACK)
3	BRASS	SILVER PLATING 2μ m min.	8	BRASS	
2	STAINLESS STEEL		7	STEEL	NICKEL PLATING M2.6×0.45×2
1	ZINC ALLOY	MATTE FINISH NICKEL PLATED	6	BRASS	MATTE FINISH NICKEL PLATED
			5	BRASS	MATTE FINISH NICKEL PLATED
NO.	MATERIAL	FINISH, REMARKS	NO.	MATERIAL	FINISH, REMARKS

CODE NO. (OLD) CL		DRAWN <i>M. Sato</i> 07.03.06	DESIGNED <i>J. Horii</i> 07.03.06	CHECKED <i>M. Sato</i> 07.03.07	APPROVED <i>M. Sato</i> 07.03.07	RELEASED
DRAWING NO. EDC4-020543-73		PART NO. HR10A-7J-4P(73)				
SCALE 2 : 1		CODE NO. CL110-0310-3-73				1/1
UNITS mm		HIROSE ELECTRIC CO., LTD.				

TO
R