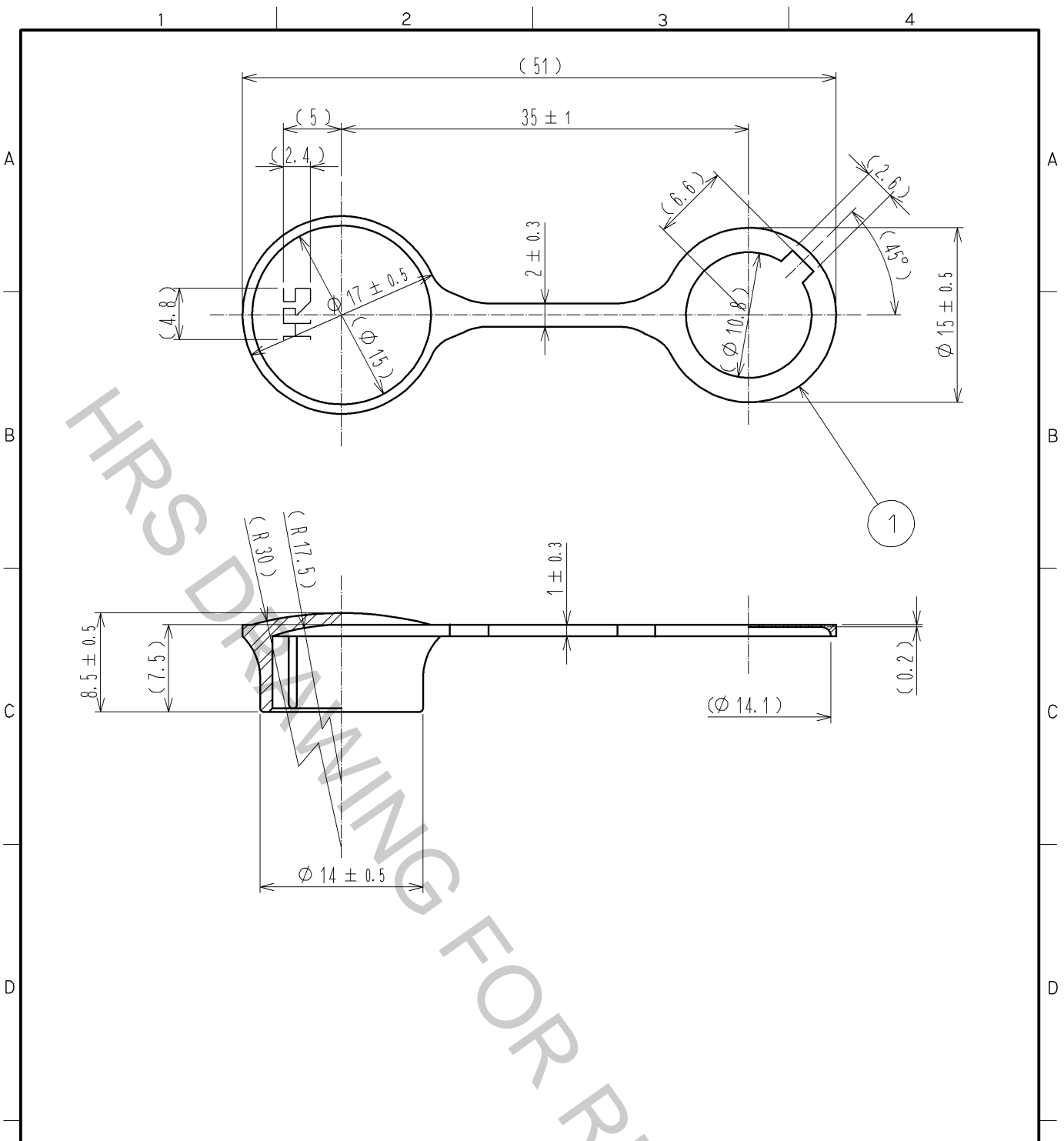


Sep.1.2018 Copyright 2018 HIROSE ELECTRIC CO., LTD. All Rights Reserved.  
 In case that the application demands a high level of reliability, such as automotive,  
 please contact a company representative for further information.



- NOTES
- 1 THIS PRODUCT SHALL BE MATED WITH HR10-10R-10S(CCL110-0035-0).
  - 2 THE RETENTION FORCE SHALL BE MORETHAN 0.2N · m WHEN THIS CONNECTOR INSERT INTO THE APPLICABLE GAUGE.  $\phi 11.775 \begin{smallmatrix} -0.002 \\ -0.005 \end{smallmatrix}$ .
  - △ 3 THIS PRODUCT IS A CAP FOR HR10※-10R-※(※), HR10※-10J-※(※). IT IS APPLICABLE REGARDLESS OF GIVEN ALPHABETS OR NUMBERS SHOWN AT ※.

1	POLYPROPYLENE	(BLACK) UL94V-0					
NO.	MATERIAL	FINISH .	REMARKS	NO.	MATERIAL	FINISH .	REMARKS
UNITS mm		SCALE 2 : 1	COUNT △ 1	DESCRIPTION OF REVISIONS DIS-C-002996	DESIGNED HK. NAMAI	CHECKED HY. KISHI	DATE 13. 04. 10
<b>HRS</b> HIROSE ELECTRIC CO., LTD.	APPROVED : MR. YOSHIDA	05. 01. 05	DRAWING NO.	EDC4-009348-00			
	CHECKED : MO. SATOH	05. 01. 05	PART NO.	HR10-10R-C			
	DESIGNED : YH. YAMADA	05. 01. 05	CODE NO.	CL110-0052-0-00			
	DRAWN : YH. YAMADA	05. 01. 05		△ 1/1			