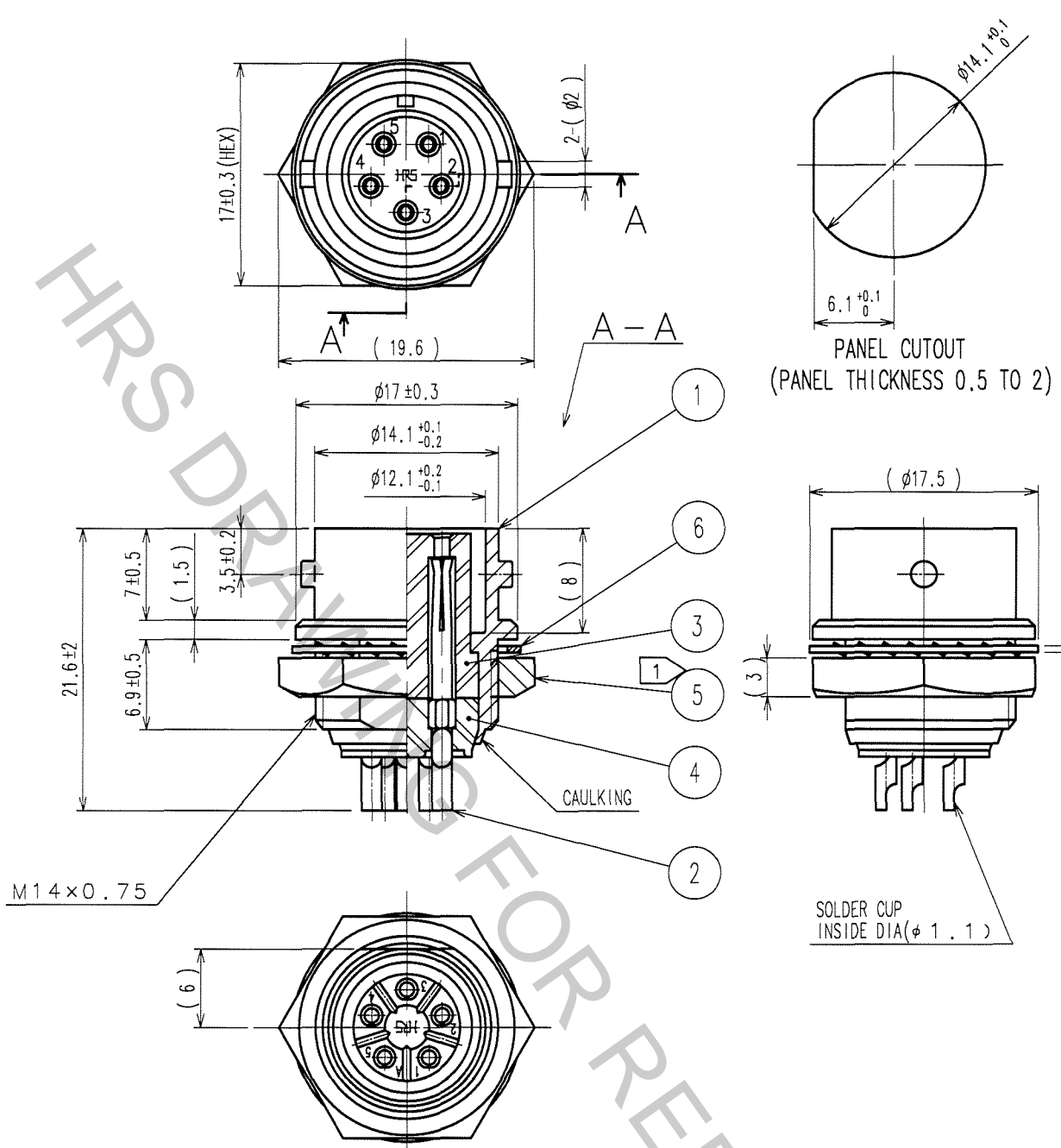


Sep.1.2018 Copyright 2018 HIROSE ELECTRIC CO., LTD. All Rights Reserved.
 In case that the application demands a high level of reliability, such as automotive,
 please contact a company representative for further information.

1		2			3			4		
COUNT	DESCRIPTION OF REVISIONS	BY	CHKD	DATE	COUNT	DESCRIPTION OF REVISIONS	BY	CHKD	DATE	
△					△					
△					△					
△					△					



NOTE: ① THE RECOMMENDED CLAMP TORQUE OF REE .NO⑤: 2N · m

NO.	MATERIAL	FINISH, REMARKS	NO.	MATERIAL	FINISH, REMARKS
3	DIALYL PHTHALATE	(BLACK) UL94V-0	6	PHOSPHOR BRONZE	NICKEL PLATING
2	COPPER ALLOY	SILVER PLATING 5μ m min.	5	BRASS	NICKEL PLATING
1	ZINC ALLOY	MATTE FINISH NICKEL PLATING	4	DIALYL PHTHALATE	(BLACK) UL94V-0

CODE NO. (OLD) CL	DRAWN G. Yamada 05.08.30	DESIGNED G. Yamada 05.08.30	CHECKED H. Zemba 05.09.02	APPROVED M. Sato 05.09.06	RELEASED
----------------------	--------------------------------	-----------------------------------	---------------------------------	---------------------------------	----------

SCALE 2 : 1	DRAWING NO. EDC4-006765-71	PART NO. RM12BRD-5S(71)	CODE NO. CL109-0612-2-71	1/1
UNITS mm	HRS HIROSE ELECTRIC CO.,LTD.			

TO
R