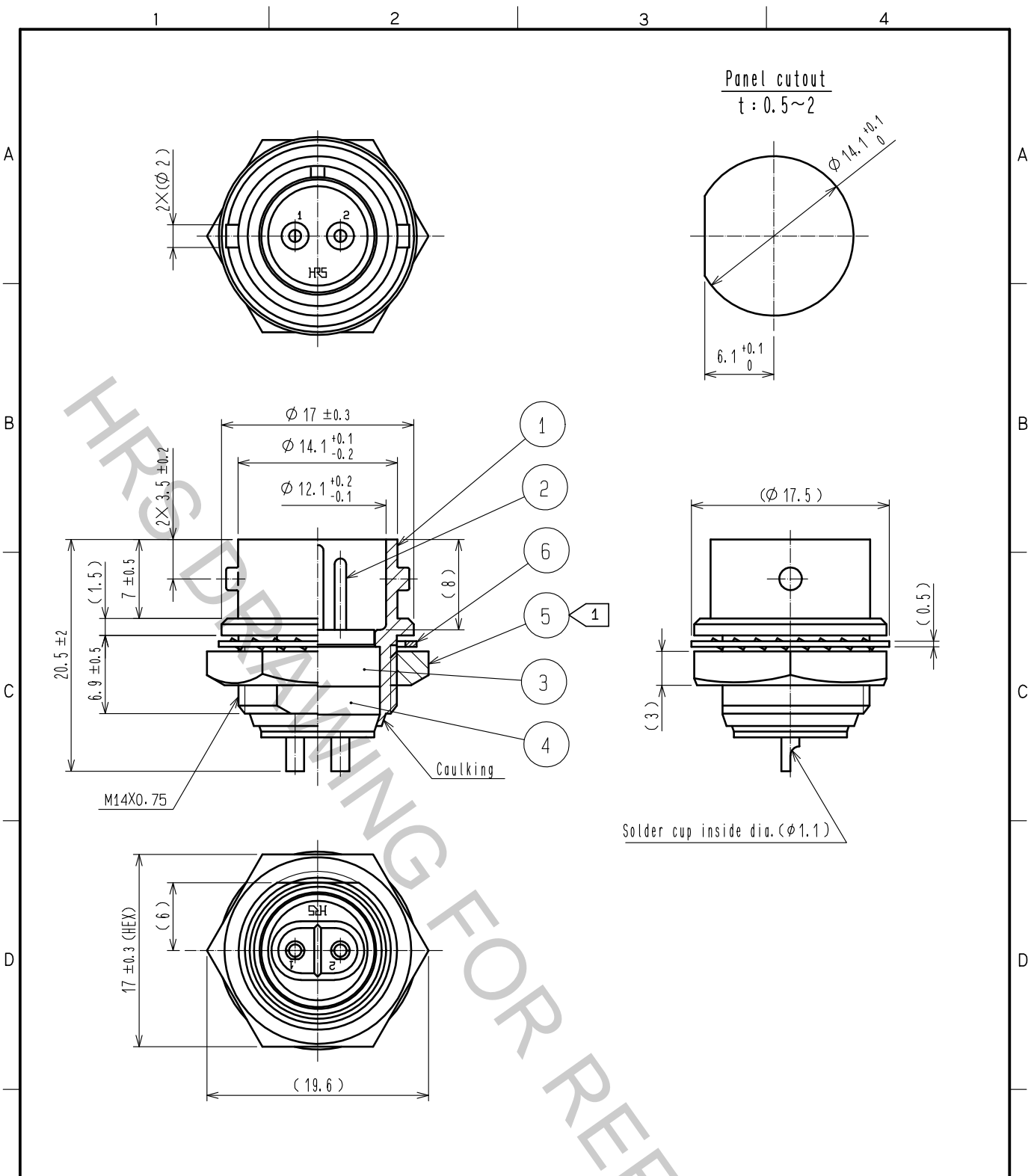


Sep.1.2018 Copyright 2018 HIROSE ELECTRIC CO., LTD. All Rights Reserved.
 In case that the application demands a high level of reliability, such as automotive,
 please contact a company representative for further information.



NOTE 1 The recommended tightening torque of Ref.No. ⑤ shall be 2 N·m.
 LOCTITE 243 HENKEL JAPAN or equivalent is recommended to prevent
 Ref. No. ⑤ for loosening.

3	DIALLYL PHTHALATE	(BLACK) UL94V-0	6	PHOSPHOR BRONZE	NICKEL PLATING
2	COPPER ALLOY	SILVER PLATING 2μm min.	5	BRASS	NICKEL PLATING
1	ZINC ALLOY	MATTE FINISH NICKEL PLATED	4	DIALLYL PHTHALATE	(BLACK) UL94V-0
NO.	MATERIAL	FINISH . REMARKS	NO.	MATERIAL	FINISH . REMARKS

UNITS mm		SCALE 2 : 1	COUNT 	DESCRIPTION OF REVISIONS	DESIGNED	CHECKED	DATE
-------------	--	----------------	-----------	--------------------------	----------	---------	------

HIROSE ELECTRIC CO., LTD.	APPROVED	·HY. KOBAYASHI	15.10.23	DRAWING NO.	EDC-027507-71-71
	CHECKED	·HY. KOBAYASHI	15.10.23	PART NO.	RM12BRD-2PH(71)
	DESIGNED	·HT. ZENBA	15.10.23	CODE NO.	CL109-0823-8-71
	DRAWN	·HT. ZENBA	15.10.23		