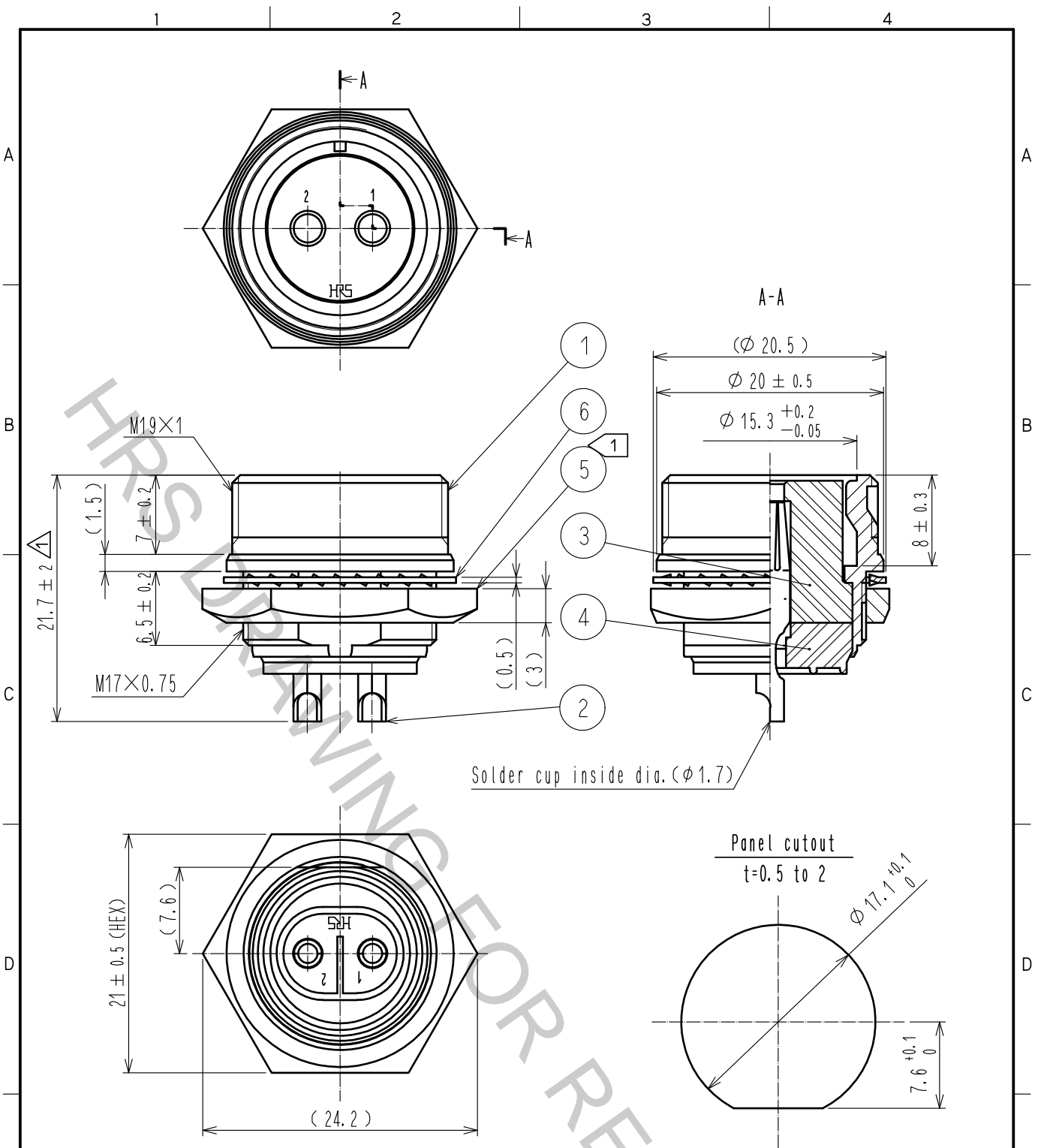


Sep.1.2018 Copyright 2018 HIROSE ELECTRIC CO., LTD. All Rights Reserved.  
 In case that the application demands a high level of reliability, such as automotive,  
 please contact a company representative for further information.



Note ① The recommended tightening torque of Ref. No. ⑤ shall be 3 to 4 N·m.  
 Loctite 243, HENKEL JAPAN or equivalent is recommended to prevent  
 Ref. No. ⑤ from loosening.

3	Diallyl phthalate	(Black) UL94V-0	6	Phosphor bronze	Nickel plating
2	Copper alloy	Silver plating 2μm min.	5	Brass	Nickel plating
1	Brass	Nickel plating	4	Diallyl phthalate	(Black) UL94V-0
NO.	MATERIAL	FINISH . REMARKS	NO.	MATERIAL	FINISH . REMARKS
UNITS mm		SCALE 2 : 1	COUNT 1	DESCRIPTION OF REVISIONS DIS-C-00002427	
DESIGNED HY. KISHI		CHECKED HY. KOBAYASHI		DATE 18.06.29	
APPROVED : SU. OBARA 16.01.20		DRAWING NO. EDC-027793-71-00		PART NO. RM15TRH-2SA(71)	
CHECKED : HY. KOBAYASHI 16.01.19		CODE NO. CL109-0847-6-71			
DESIGNED : HR. SATO 16.01.19				1/1	
DRAWN : HR. SATO 16.01.19					