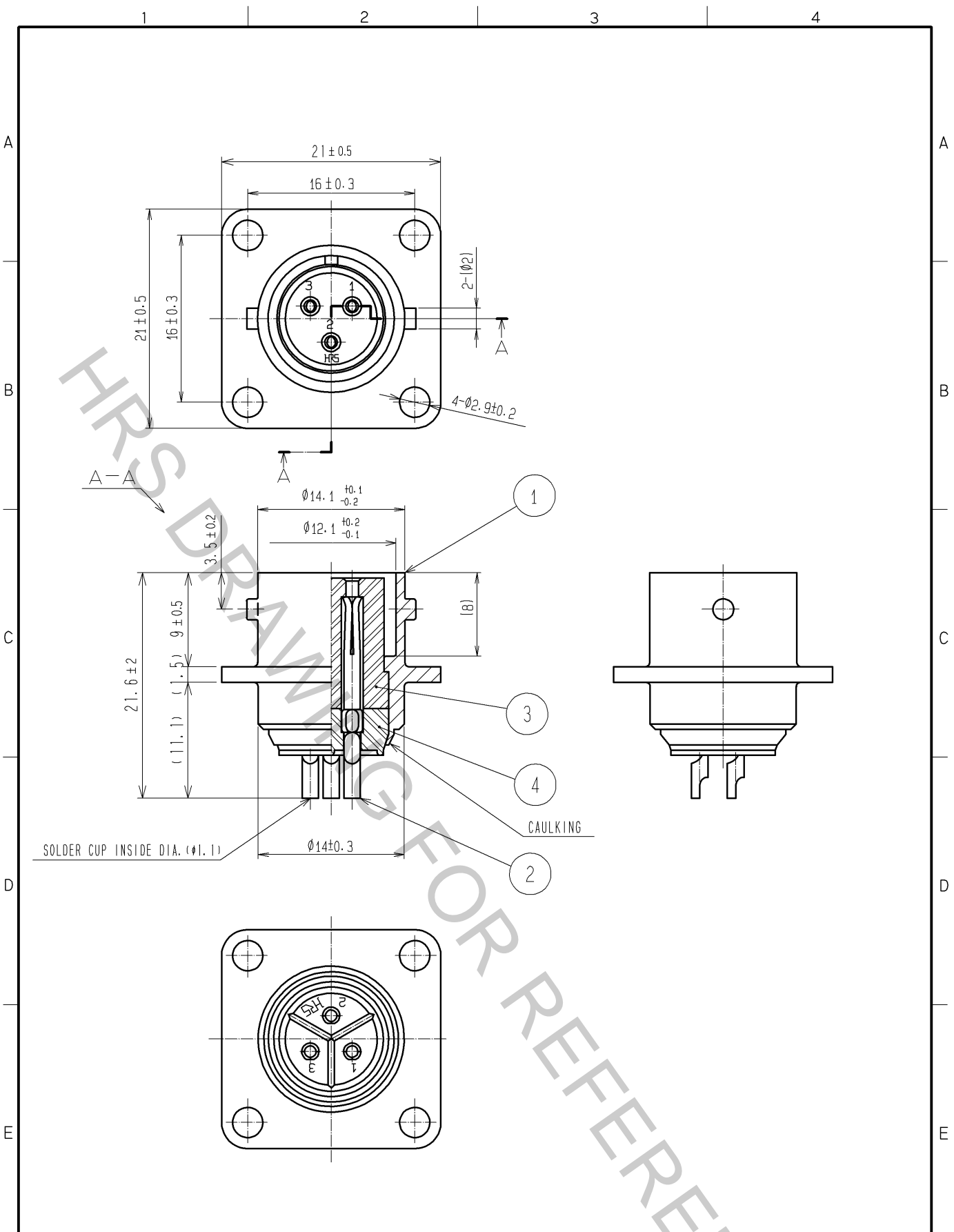


Sep.1.2018 Copyright 2018 HIROSE ELECTRIC CO., LTD. All Rights Reserved.
 In case that the application demands a high level of reliability, such as automotive,
 please contact a company representative for further information.



2	COPPER ALLOY	SILVER PLATING 5μm min.	4	DIALYL PHTHALATE (BLACK)			
1	ZINC ALLOY	MATTE FINISH NICKEL PLATED	3	DIALYL PHTHALATE (BLACK)			
NO.	MATERIAL	FINISH , REMARKS	NO.	MATERIAL	FINISH , REMARKS		
UNITS mm		SCALE 2 : 1	COUNT 	DESCRIPTION OF REVISIONS	DESIGNED	CHECKED	DATE
HIROSE ELECTRIC CO., LTD.	APPROVED : MO. SATOH	06. 12. 22	DRAWING NO.	EDC4-005935-00			
	CHECKED : EJ. KUNII	06. 12. 22	PART NO.	RM12BRB-3S			
	DESIGNED : TP. KOMATSU	06. 12. 19	CODE NO.	CL109-0578-6-00			
	DRAWN : MK. SATO	06. 12. 15		1/1			