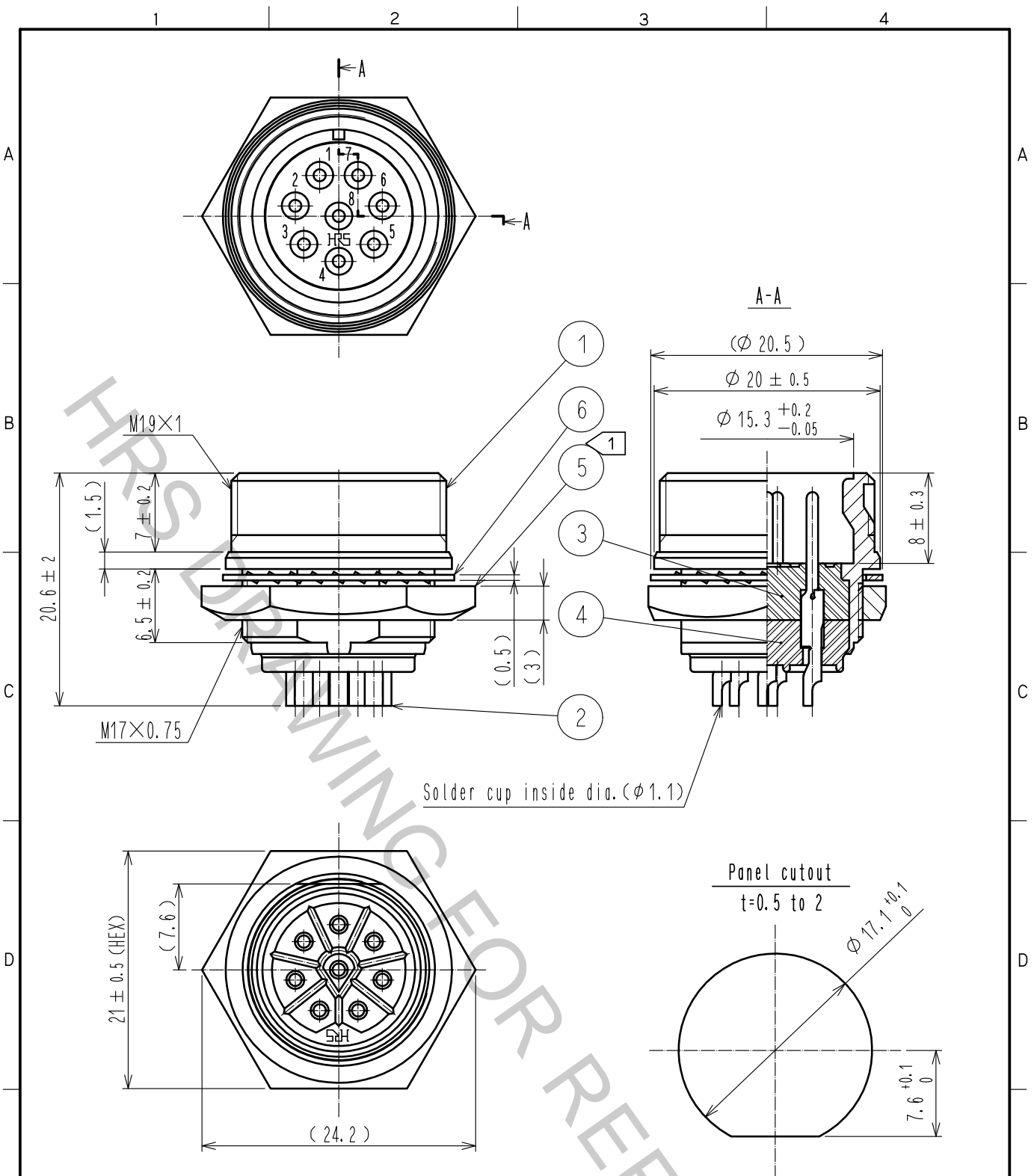


Sep.1.2018 Copyright 2018 HIROSE ELECTRIC CO., LTD. All Rights Reserved.
 In case that the application demands a high level of reliability, such as automotive,
 please contact a company representative for further information.



Note 1 The recommended tightening torque of Ref.No. ⑤ shall be 3 to 4 N·m.
 Loctite 243, HENKEL JAPAN or equivalent is recommended to prevent
 Ref.No. ⑤ from loosening.

3	Diallyl phthalate	(Black) UL94V-0	6	Phosphor bronze	Nickel plating
2	Copper alloy	Silver plating 2μm min.	5	Brass	Nickel plating
1	Brass	Nickel plating	4	Diallyl phthalate	(Black) UL94V-0
NO.	MATERIAL	FINISH . REMARKS	NO.	MATERIAL	FINISH . REMARKS

UNITS mm		SCALE 2 : 1	COUNT 	DESCRIPTION OF REVISIONS	DESIGNED	CHECKED	DATE
HIROSE ELECTRIC CO., LTD.				APPROVED :EJ. KUNII 15.10.30 CHECKED :EJ. KUNII 15.10.30 DESIGNED :HR. SATO 15.10.30 DRAWN :HR. SATO 15.10.30	DRAWING NO. EDC-028099-71-00 PART NO. RM15TRH-8PH(71) CODE NO. CL109-0858-2-71		