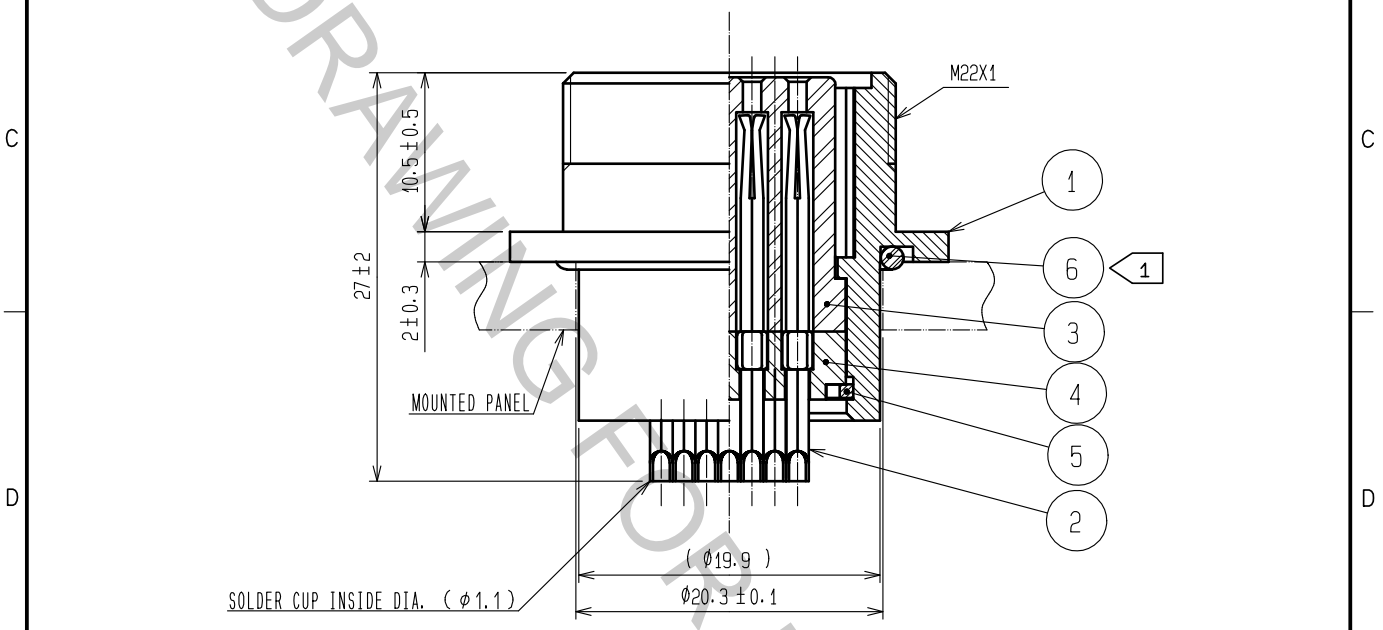
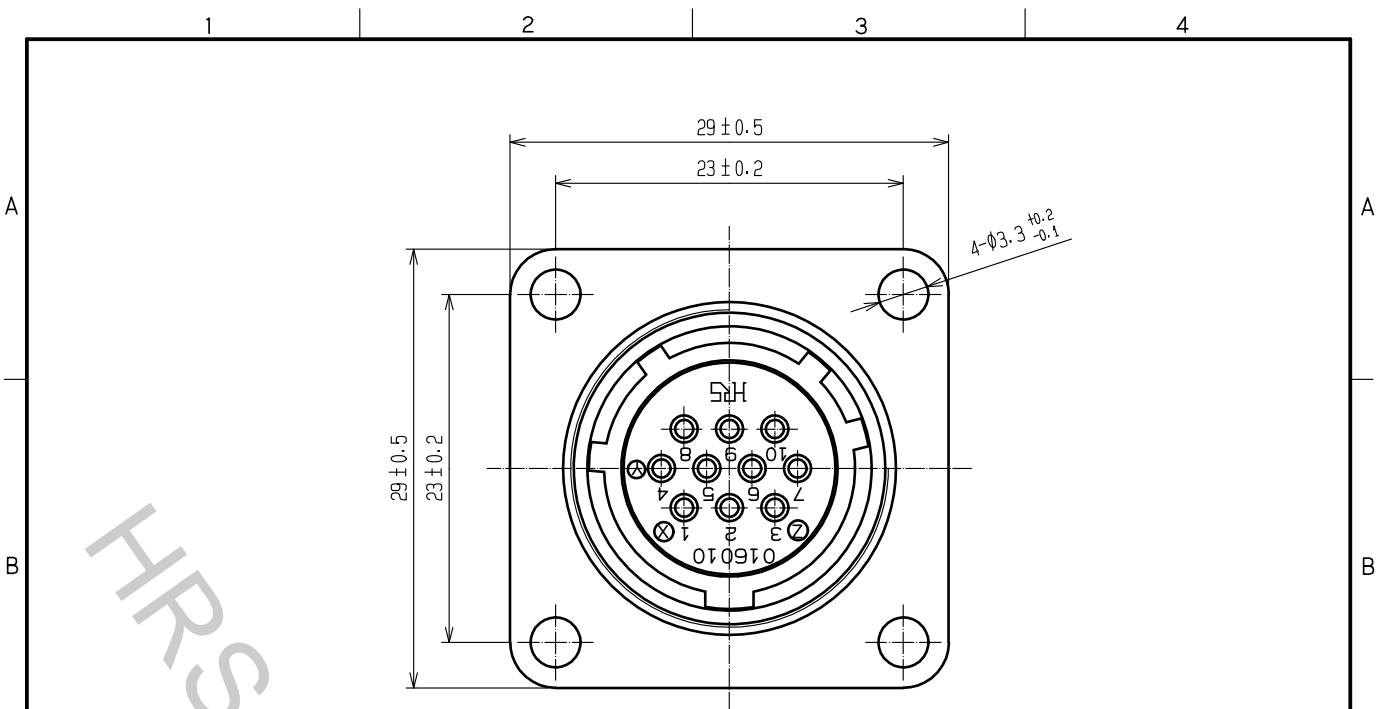


Sep.1.2018 Copyright 2018 HIROSE ELECTRIC CO., LTD. All Rights Reserved.
 In case that the application demands a high level of reliability, such as automotive,
 please contact a company representative for further information.



NOTE WHEN MOUNTED ON CHASSIS, BE CAREFUL THAT REFERENCE NO. IS FITTED INTO THE INDICATES GROOVE ANY BITING.

| 3 | PHENOL-FORMALDEHYDE | (BLACK) UL94V-0 | 6 | NBR | (BLACK) |
|-----|---------------------|-------------------------------------|-----|---------------------|------------------|
| 2 | COPPER ALLOY | SILVER PLATING $2 \mu\text{m}$ min. | 5 | PHOSPHOR BRONZE | NICKEL PLATING |
| 1 | ALUMINUM ALLOY | BLACK CHROME PLATING | 4 | PHENOL-FORMALDEHYDE | (BLACK) UL94V-0 |
| NO. | MATERIAL | FINISH . REMARKS | NO. | MATERIAL | FINISH . REMARKS |

| | | | | | | | |
|-------------|--|----------------|-----------|--------------------------|----------|---------|------|
| UNITS mm | | SCALE 2 : 1 | COUNT | DESCRIPTION OF REVISIONS | DESIGNED | CHECKED | DATE |
|-------------|--|----------------|-----------|--------------------------|----------|---------|------|

| | | | | |
|---------------------------|-------------------------|------------|-------------|------------------|
| HIROSE ELECTRIC CO., LTD. | APPROVED :HY. KOBAYASHI | 18. 02. 26 | DRAWING NO. | EDC-110588-31-00 |
| | CHECKED :HY. KOBAYASHI | 18. 02. 26 | PART NO. | JR16WR-10S(31) |
| | DESIGNED :TH. KAMEYA | 18. 02. 23 | CODE NO. | CL114-2037-2-31 |
| | DRAWN :MK. INOUE | 18. 02. 13 | | 1/1 |