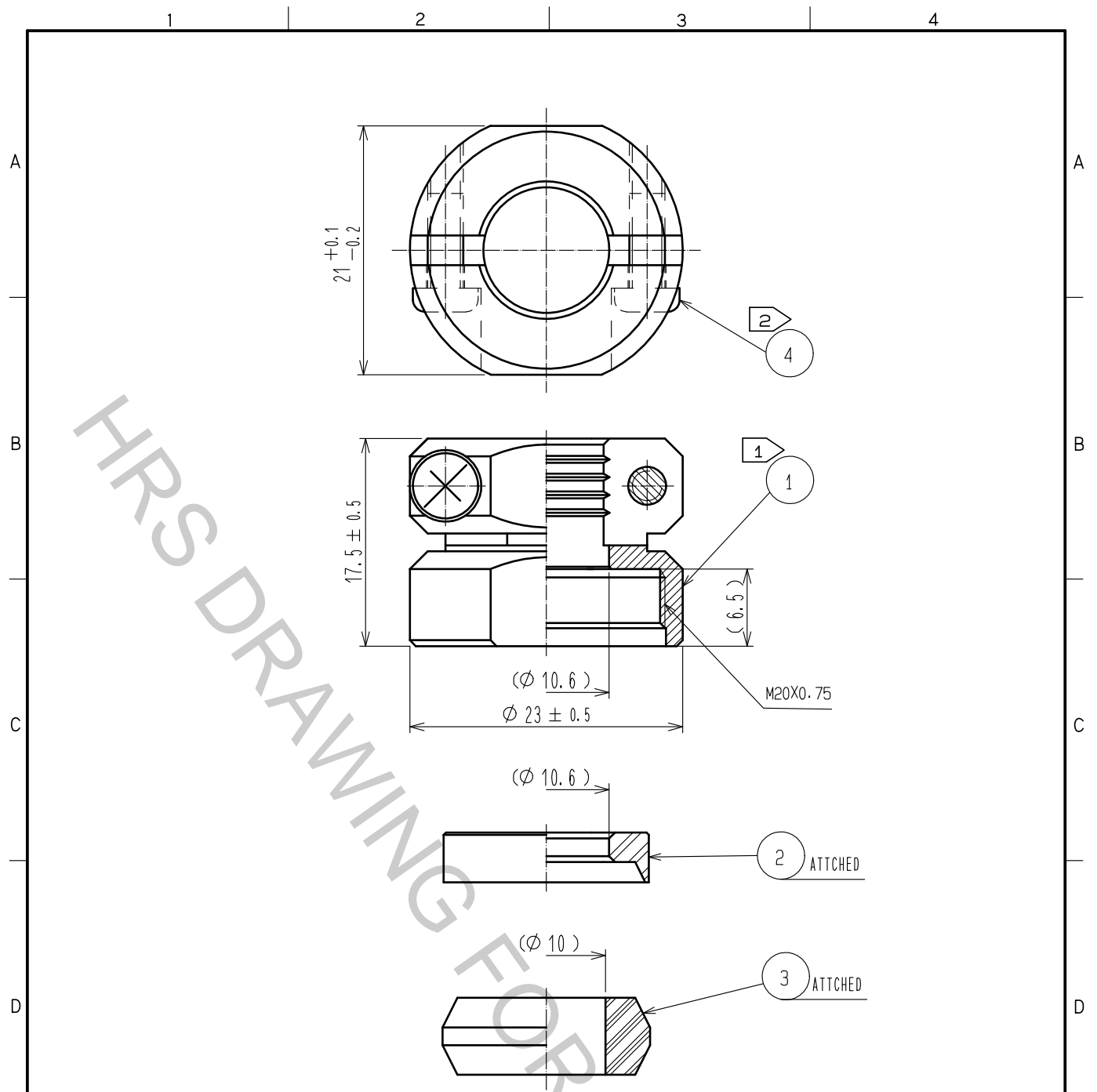


Sep.1.2018 Copyright 2018 HIROSE ELECTRIC CO., LTD. All Rights Reserved.  
 In case that the application demands a high level of reliability, such as automotive,  
 please contact a company representative for further information.



- Notes
- ① The recommended clamp torque of REF. No. ① to be 3 to 3.5 N·m. LOCTITE 263, HENKEL JAPAN or equivalent is recommended to prevent REF. No. ① from loosening.
  - ② The recommended clamp torque of REF. No. ④ to be 0.65 to 0.7 N·m.
  - ③ Sealing and airtightness and oil resisting shall be tested under mated condition with an applicable connector.

2	POLYPHENYLENE SULFIDE	(BLACK)	UL94V-0	4	STAINLESS STEEL	M3×0.5×8		
1	BRASS	BLACK CHROME PLATING		3	ACRYLONITRILE BUTADIENE RUBBER	(GRAY)		
NO.	MATERIAL	FINISH	REMARKS	NO.	MATERIAL	FINISH	REMARKS	
UNITS mm		SCALE 2 : 1	COUNT 	DESCRIPTION OF REVISIONS		DESIGNED	CHECKED	DATE
<b>HIROSE ELECTRIC CO., LTD.</b>	APPROVED	·HY. KOBAYASHI	15.08.05	DRAWING NO.	EDC-110603-71-00			
	CHECKED	·HY. KOBAYASHI	15.08.05	PART NO.	JR16WCC-10(71)			
	DESIGNED	·HY. KISHI	15.08.05	CODE NO.	CL114-2055-4-71			
	DRAWN	·HY. KISHI	15.08.05		1/1			