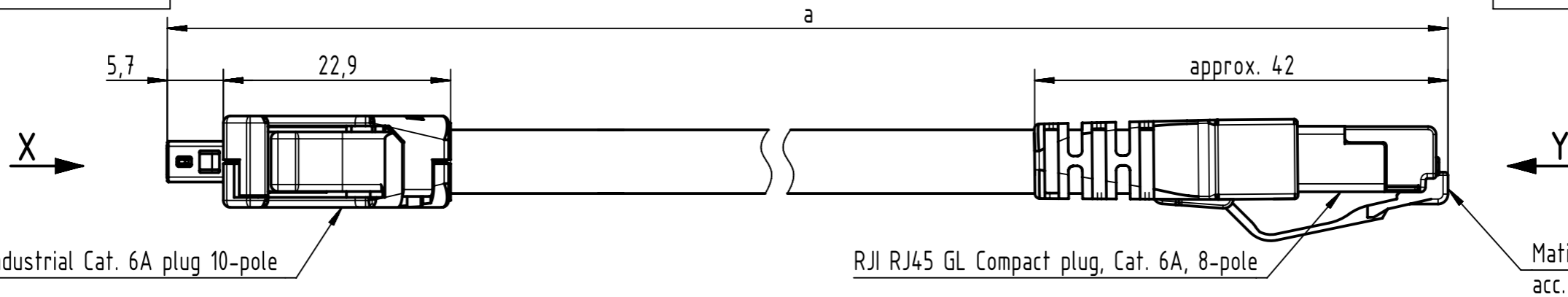


Connector Location A

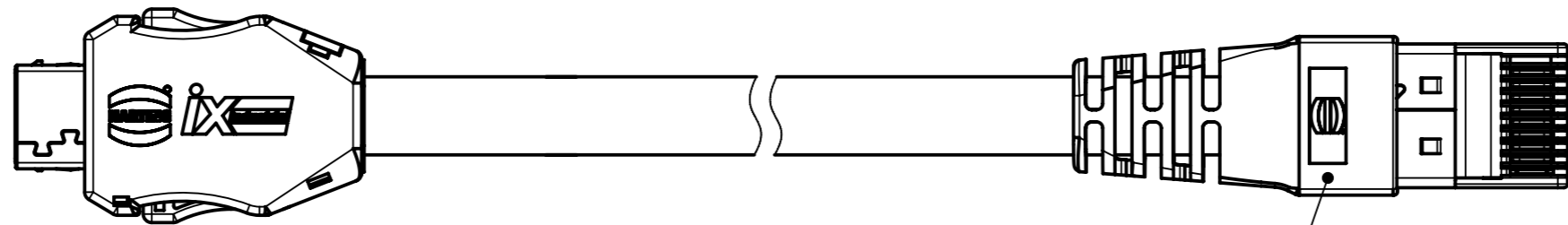
Connector Location B



HARTING ix Industrial Cat. 6A plug 10-pole

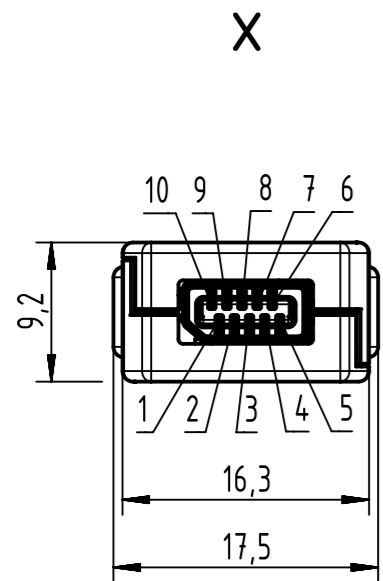
RJI RJ45 GL Compact plug, Cat. 6A, 8-pole

Mating face RJ45 acc. to IEC 60603-7

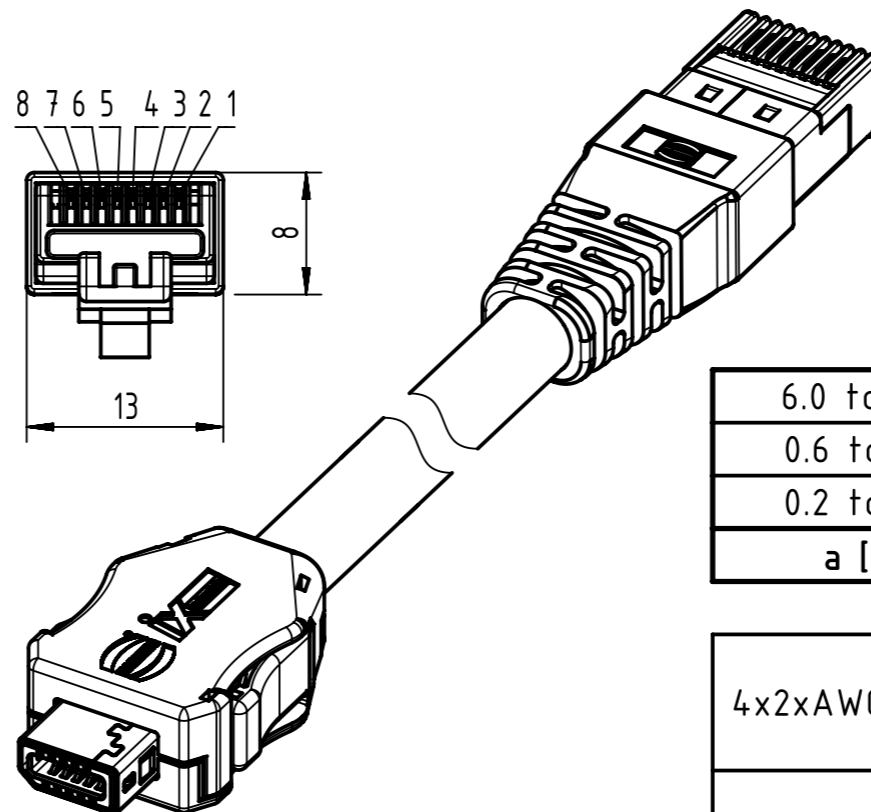
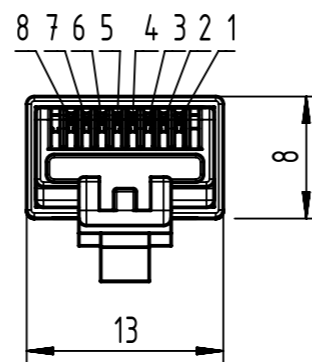
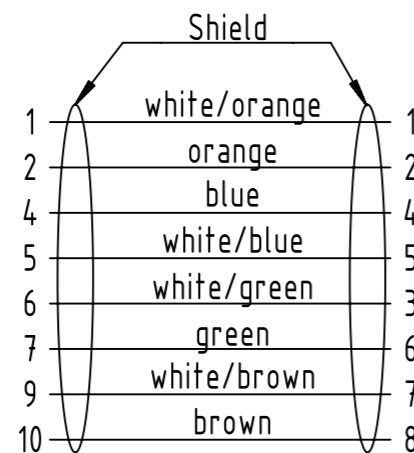


Black compact boot with HARTING logo

Loading-Plan acc. to TIA/EIA 568B



Contacts 3 and 8 are not connected



6.0 to 100	±1%
0.6 to 5.9	+0.04
0.2 to 0.5	+0.02
a [m]	Tolerance

length in "1m" step	100	XXX=000
	99	XXX=990
	12	XXX=120
	11	XXX=110
length in "0.1m" step	10	XXX=100
	9.9	XXX=099
	9.8	XXX=098
	0.5	XXX=005
	0.4	XXX=004
	0.3	XXX=003
	0.2	XXX=002
Step	a [m]	XXX

4x2xAWG28, yellow, PVC, Cat. 6A	09482612749XXX
Type of cable	Part no.

- Protection level: IP20
- Temperature range: -40°C...+80°C

		All Dimensions in mm		Tech. Character.		Free size tol.		According to production drawing	
All rights reserved Department HCS - RO		Created by MUNTEANV		Inspected by COSTEA		Standardisation AVRAM		Date 2017-10-19	
HARTING Customised Solutions D-32427 Minden		Title ix Industrial - RJ45 PVC cable assembly		State Final Release		Doc-Key / ECM-Nr. 100695572/UGD/000/B 500000126826		Rev. B Page 1/1	
		Type TB		Number 09482612749XXX					