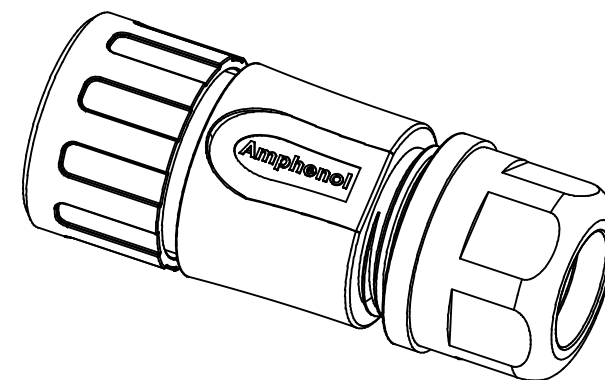


REVISIONS					
REV	ECO	DESCRIPTION	DATE	BY	APPR
A1	--	RELEASED DRAWING	Dec-26-2016	Ben	Tommy
A2	--	UPDATE NOTES	Jul-04-2017	Nick	Tommy
A3	--	UPDATE DRAWING	Jan-24-2018	Nick	Tommy
A4	--	UPDATE DRAWING	Mar-20-2018	Nick	Tommy



NOTES : (UNLESS OTHERWISE SPECIFIED)

1. MATERIAL :

- SHELL : THERMOPLASTIC , UL94 V-0.
- INSERT : THERMOPLASTIC , UL94 V-0.
- COUPLING NUT : THERMOPLASTIC , UL94 V-0.
- O-RING : NBR/SILICONE RUBBER.
- WASHER: SILICONE RUBBER.
- BACK SHELL : THERMOPLASTIC , UL94 V-0.
- CLAMP NUT : THERMOPLASTIC , UL94 V-0.
- CLAMP RING : THERMOPLASTIC , UL94 V-0.
- CABLE SEAL : EPDM.

2. SPECIFICATIONS :

- 2.1 RATED CURRENT :
    - 2.1.1 2.5mm 20A (MAX) .
    - 2.2.2 16# 5A (MAX) .
  - 2.2 RATED VOLTAGE : 600V(AC/DC).
  - 2.3 OPERATING TEMPERATURE : SEE TABLE .
  - 2.4 DIELECTRIC WITHSTANDING VOLTAGE : LESS THAN 2 MILLIAMPS CURRENT LEAKAGE@2000 VOLTS AC.
  - 2.5 INSULATION RESISTANCE : 5000 MEGOHMS MIN.
  - 2.6 IP--CLASS : IP67 AND IP69K IN THE MATED CONDITION.
  - 2.7 MATING CYCLES DURABILITY : 500 CYCLES MIN.
  - 2.8 RoHS COMPLIANT.
3. SUITABLE CONTACTS : 2.5mm & 16# CONTACTS.
4. ALL DIMENSIONS ARE FOR REFERENCE USE ONLY.

DIMENSION $\phi A$	CABLE OD RANGE
14.5 MM	10.0-14.0 MM
17.5 MM	13.5-17.0 MM

KEY	PART NUMBER	
	-40°C ~ +105°C	-40°C ~ +125°C
N	RTS6BS16N09S	RTS6BS16N09S03

QUANTITY	PART NUMBER	DESCRIPTION	ITEM
<b>MATERIALS LIST</b>			
UNLESS OTHERWISE SPECIFIED 1) All dimensions are in metric(mm). 2) Tolerances are as follows: 1 PL DEC ±0.30 2 PL DEC ±0.15 3 PL DEC ±0.08 3) Note reference =		SIGNATURES      DATE DRAWN: White      Mar-20-2018 CHECKED: Tod      Mar-20-2018 ENGINEER: APPROVAL: Tommy      Mar-20-2018	
MATERIAL SPECIFICATIONS:		 Sine Systems - www.amphenol-sine.com 44724 Morley Drive Clinton Township, MI 48036	
PROCESS SPECIFICATIONS:			
NEXT ASSY:		CUSTOMER: THIS DRAWING IS SUPPLIED FOR INFORMATION ONLY. DESIGN FEATURES, SPECIFICATIONS AND PERFORMANCE DATA SHOWN HEREON ARE THE PROPERTY OF THE AMPHENOL CORPORATION. NO RIGHTS OF REPRODUCTION ARE IMPLIED. ALL DIMENSIONS ARE SUBJECT TO NORMAL MANUFACTURING VARIATIONS.	
SCALE: NONE		SIZE: B    TYPE: C-    DWG NO: RTS6BS16*09Sxx    REVISION: A4	SHEET 1 OF 1

TITLE: ECO-MATE,PLUG,BACK SHELL,SIZE 16,9POS,SOCKET.      DWG NO: RTS6BS16\*09Sxx      REV: A4      SH: 1      OF: 1