

PANDUIT TOOL NO.	INSTALLS * THE FOLLOWING STAINLESS STEEL CABLE TIE CROSS-SECTION **	WEIGHT/PC	
		OZ	GRAMS
GS4MT-E	STD LH & H	15.52	440

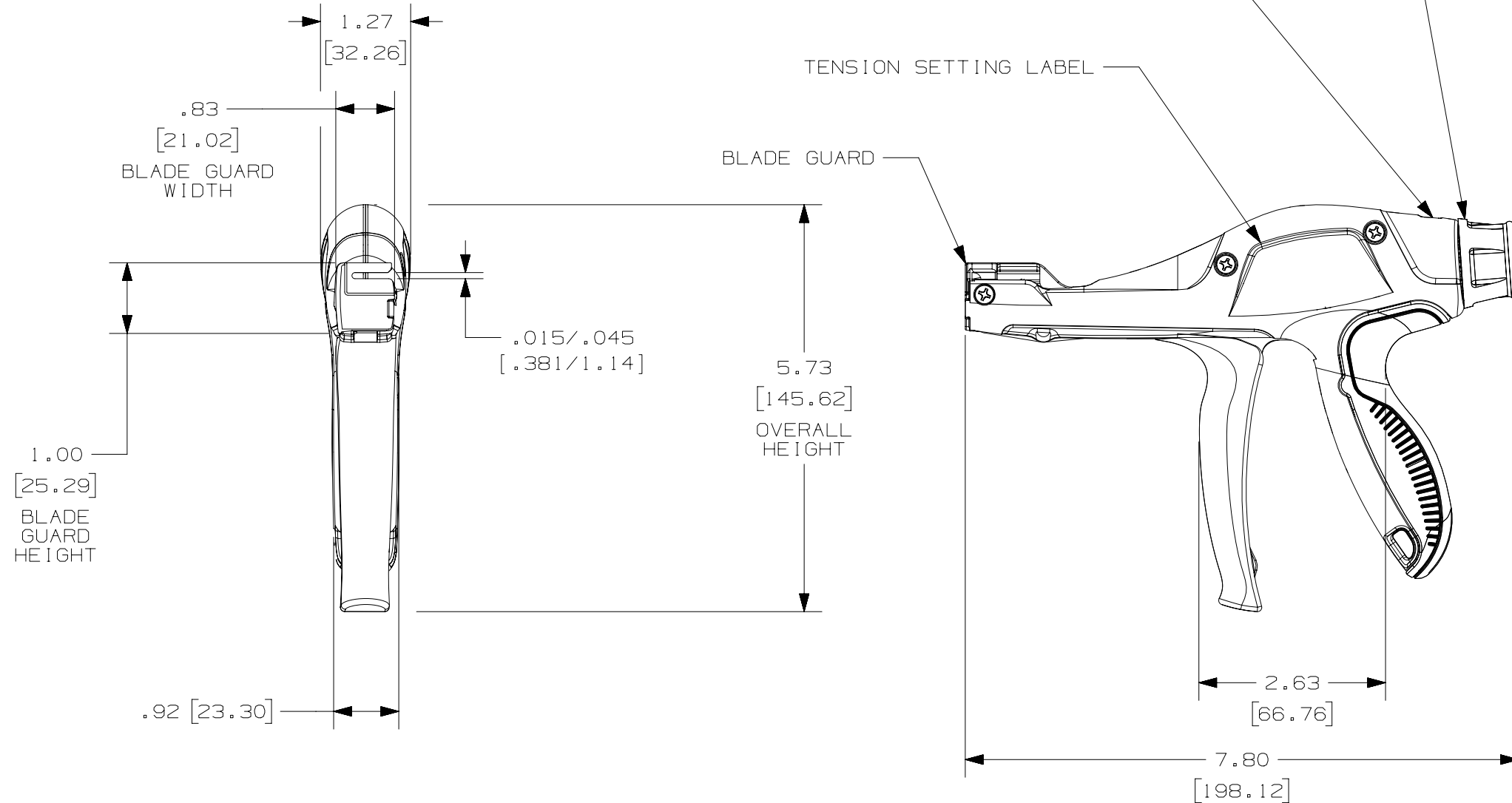
NOTES, UNLESS OTHERWISE SPECIFIED:

RoHS COMPLIANT.

* THIS TOOL TIGHTENS PANDUIT STAINLESS STEEL CABLE TIES AND CUTS OFF EXCESS PORTION WHEN PRESET TENSION IS ATTAINED.

** CABLE TIE CROSS-SECTION CODE:
 STD = STANDARD
 LH = LIGHT HEAVY
 H = HEAVY

DIMENSIONS IN BRACKETS ARE METRIC.



TENSION SETTINGS

TIE WIDTH	—	—
SETTING	STD 1-4	HVY 5-8

MS90387-3

REV	DATE	BY	CHK	APR	DESCRIPTION	ECN
02	8-28-18	JEH	ABJ	JADE	UPDATED TENSION LABEL WITH MIL SPEC MS90387-3	037489
01	11-2-16	JEH	ABJ	JADE	RELEASED AT REV 01	4853

TITLE		CD, GS4MT-E	
		Customer/Military Drawing	
ITEM REVISION NAME		R27580AA/02	
DATASET FILE NAME		R27580AA_DS_TM27580B01/02A	
		PANDUIT	
		MATERIAL:	
		-	
		DRAWING NUMBER:	
		TM27580B01	
DRAWN BY	DATE	CHK	SCALE
JEH	1-26-15	ABJ	1:2
		SHT 1 OF 1	
		SIZE	
		B	