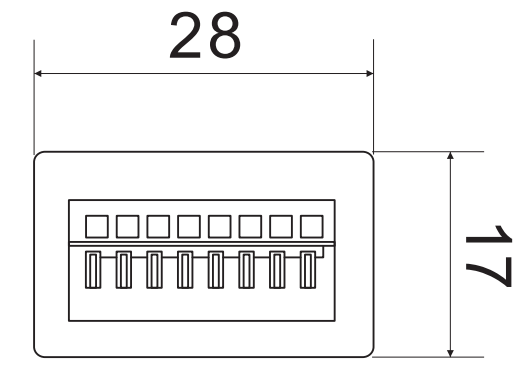
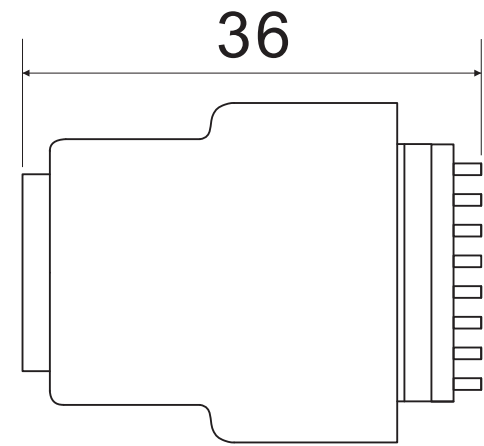
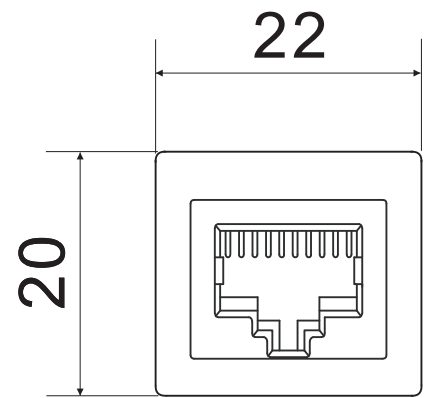


SIGN	DESCRIPTION	DATE	APPROVER
△	---		
△			



Technical Data:

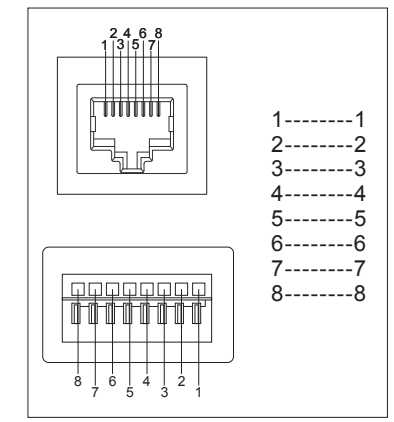
Electrical:

- Voltage rating: 12VDC
- Current rating: 1.5A
- Contact resistance: 50Ωmax.
- Insulation resistance: 1000MΩ / 500VDC
- Wire range: 26-12AWG

Mechanical:

- Torque: 0.5Nm (4.4lb/in)
- Operating temperature: -40°C to 105°C
- Strip length: 7mm

Connect information



		Concept Design Manufacture		<small>CIE-Group Ltd 3 Widdowson Close Blenheim Ind Est Bulwell Nottingham NG6 8WB England T: +44(0)115 9770075 F: +44(0)115 9770081 E: info@cie-group.com W: www.cie-group.com</small>	
		APPROVED: Rikki So CHECKED: DRAWN: Vivian Lai		NAME: RJ45 Jack Terminal Adapter PART NO: CLB-JL-8109 DWG NO.:	
TOLERANCE X ±0.50 X.X ±0.30 X.XX ±0.20 X° ±1°	UNIT: mm SCALE: 4/1	REV.: A PAGE: 1/1			