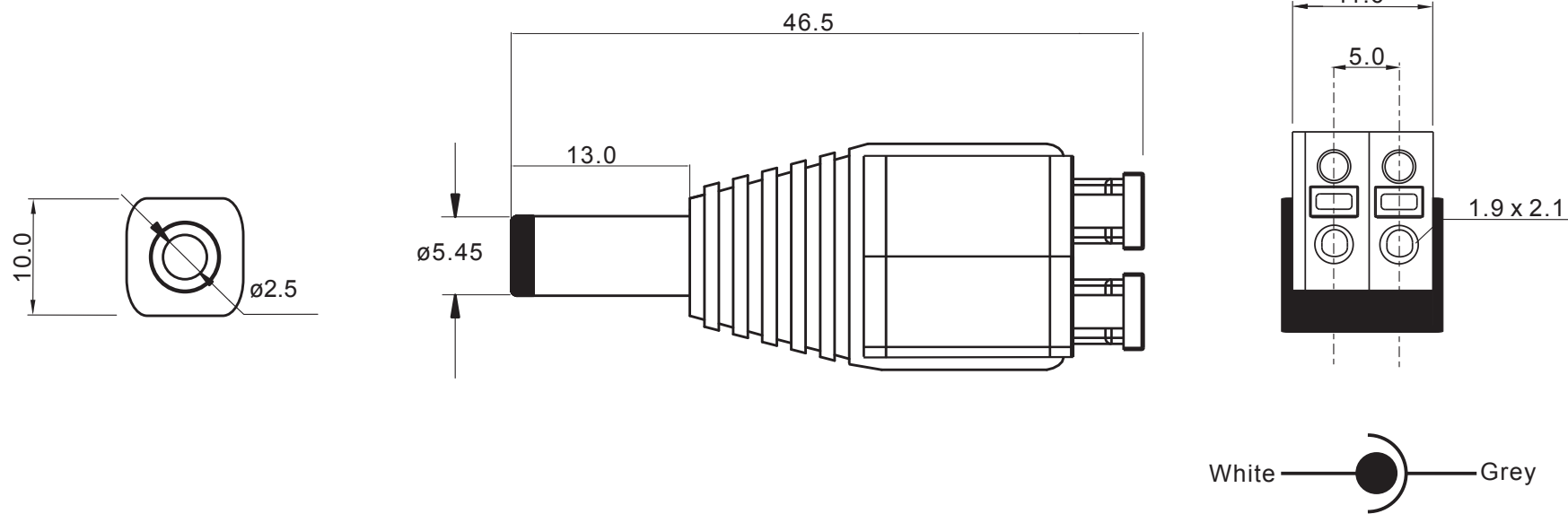


SIGN	DESCRIPTION	DATE	APPROVER
△	---		
△			



Technical Data:


Electrical:

- Voltage rating: 12VDC
- Current rating: 5A
- Contact resistance: 20mΩ
- Insulation resistance: 5000MΩ / 1000V
- Wire range: 22-16AWG

Mechanical:

- Torque: 0.5Nm (4.4lb/in)
- Operating temperature: -40°C to 105°C
- Strip length: 8-9mm



		Concept Design Manufacture		CIE-Group Ltd 3 Widdowson Close Blenheim Ind Est Bulwell Nottingham NG6 8WB England T: +44(0)115 9770075 F: +44(0)115 9770081 E: info@cie-group.com W: www.cie-group.com	
		TOLERANCE X ±0.50 .X ±0.30 X.XX ±0.20 X° ±1°		APPROVED: RIKKI CHECKED: CAMILY DRAWN: SHERMAN	
UNIT: mm SCALE: 4/1		REV.: A PAGE: 1/1		PART NO: CLB-JL-8113 DWG NO.:	