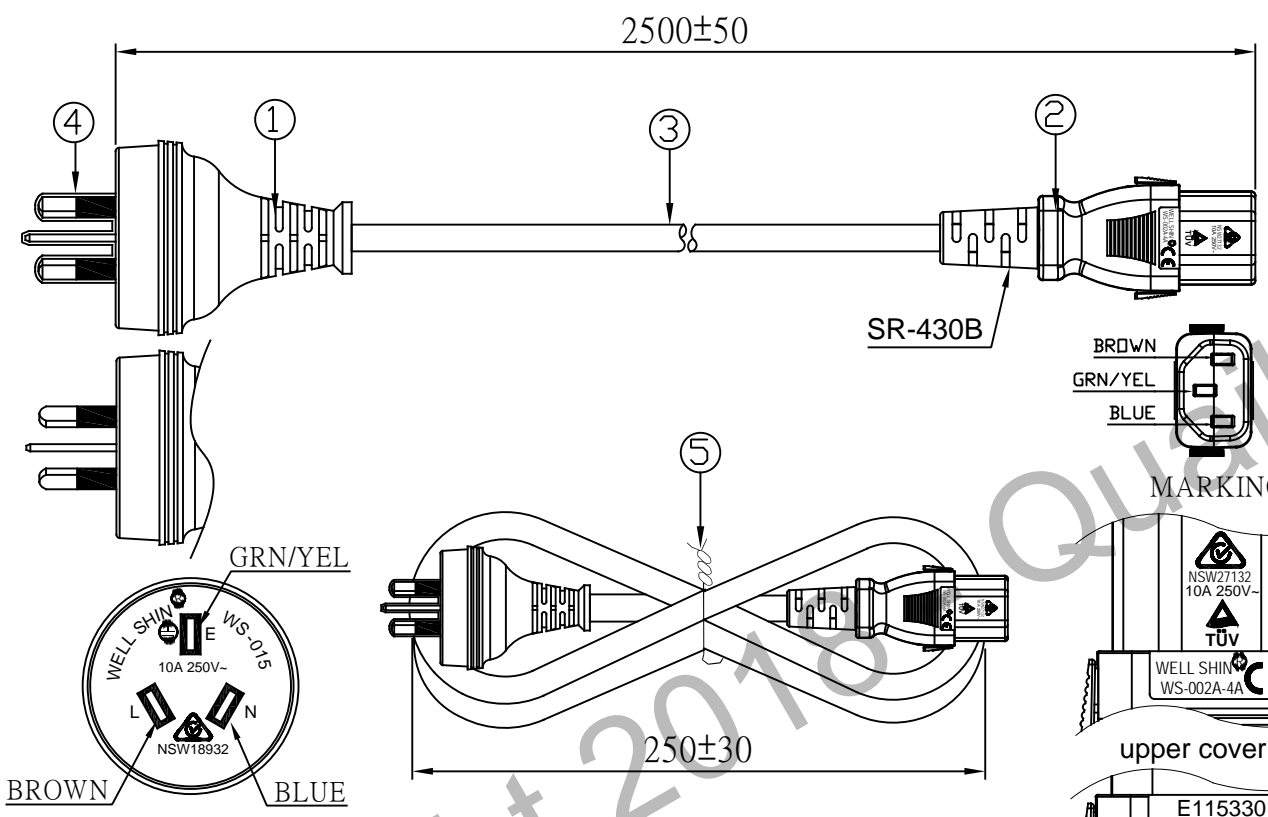
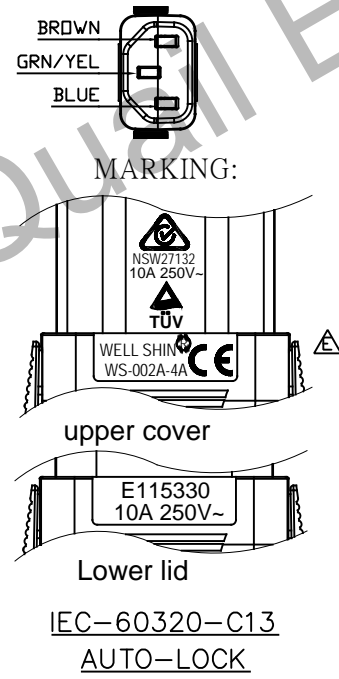


CUSTOMER: P/N: 8530.098AL REV. APPROVED BY:

REVISIONS		
REV.	DESCRIPTION	DATE
△		2014/08/03
△		2015/06/11
△		2016/10/13
△		2017/01/03
△	The tail changed to WS-002A-4A	2018/03/09
△		



NOTES:
1. RoHS shown on the carton



AS/NZS 4417
AUSTRALIA

ITEM	DESCRIPTION	COLOR	Q'TY
⑤	Cable tie	BLACK	1
④	Plastic cap	WHITE	1
③	H05VV-F 3G 1.00MMSQ APPROVAL : EUROPEAN,SAA	BLACK	1
②	WS-002A-4A 10 (A) 250 (V) APPROVAL : UL,CUL,SAA,TUV,CE	BLACK	1
①	WS-015 10 (A) 250 (V) APPROVAL : SAA	BLACK	1

SIGNATURE		QUAIL ELECTRONICS, INC. http://www.quail.com	
SAFETY ENGINEER:		PRODUCT NO.: 015+002A-4A	DATE: 2018/03/09
MANAGER BY:		UNIT: mm	SHEET: 1 OF 1
CHECKED BY:		DWG NO: 0096-4426	
DRAWN BY:		REV. E	