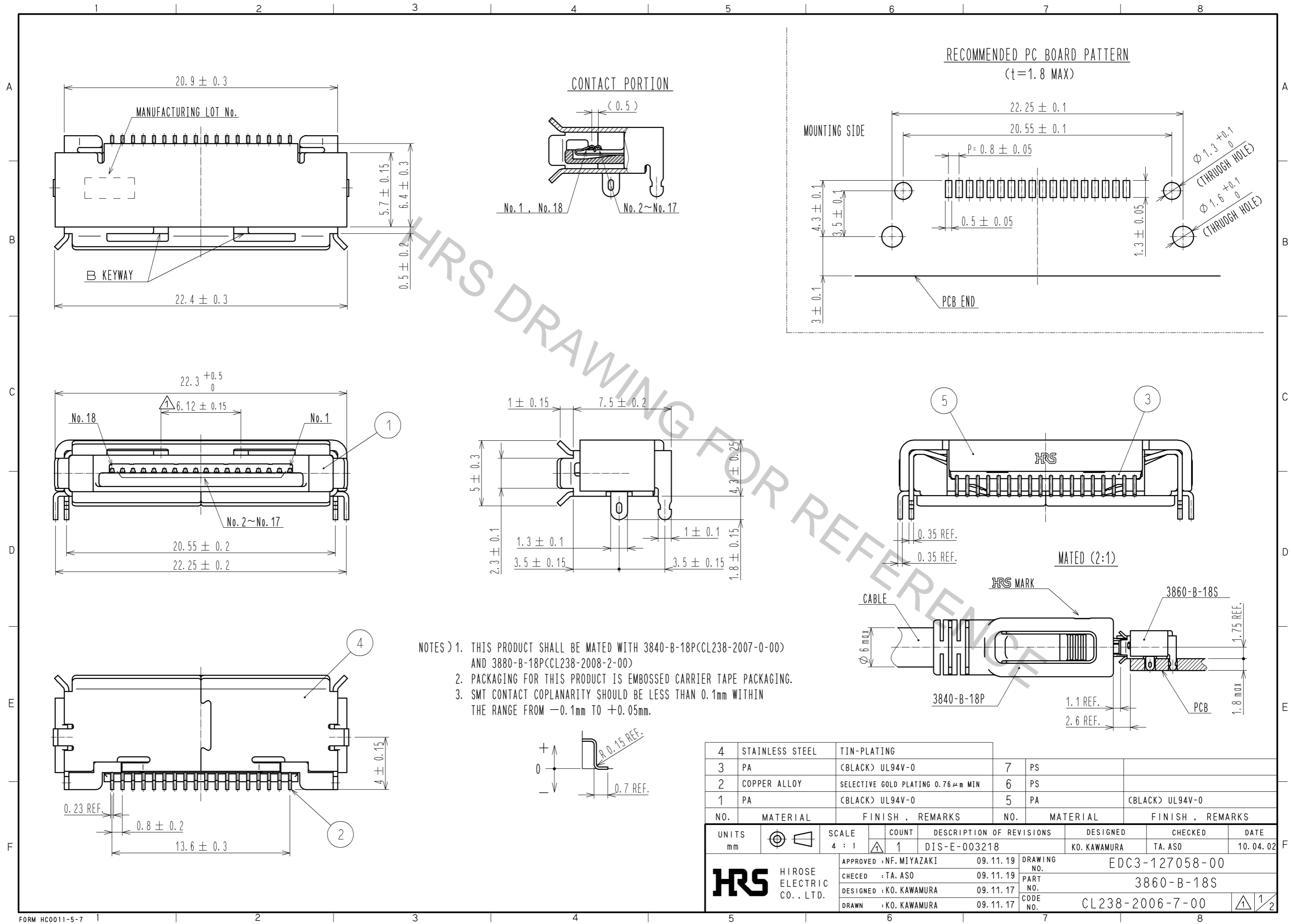
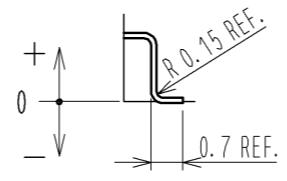


Oct.1.2018 Copyright 2018 HIROSE ELECTRIC CO., LTD. All Rights Reserved.
 In case that the application demands a high level of reliability, such as automotive,
 please contact a company representative for further information.



- NOTES) 1. THIS PRODUCT SHALL BE MATED WITH 3840-B-18P(CL238-2007-0-00) AND 3880-B-18P(CL238-2008-2-00)
 2. PACKAGING FOR THIS PRODUCT IS EMBOSSED CARRIER TAPE PACKAGING.
 3. SMT CONTACT COPLANARITY SHOULD BE LESS THAN 0.1mm WITHIN THE RANGE FROM -0.1mm TO +0.05mm.

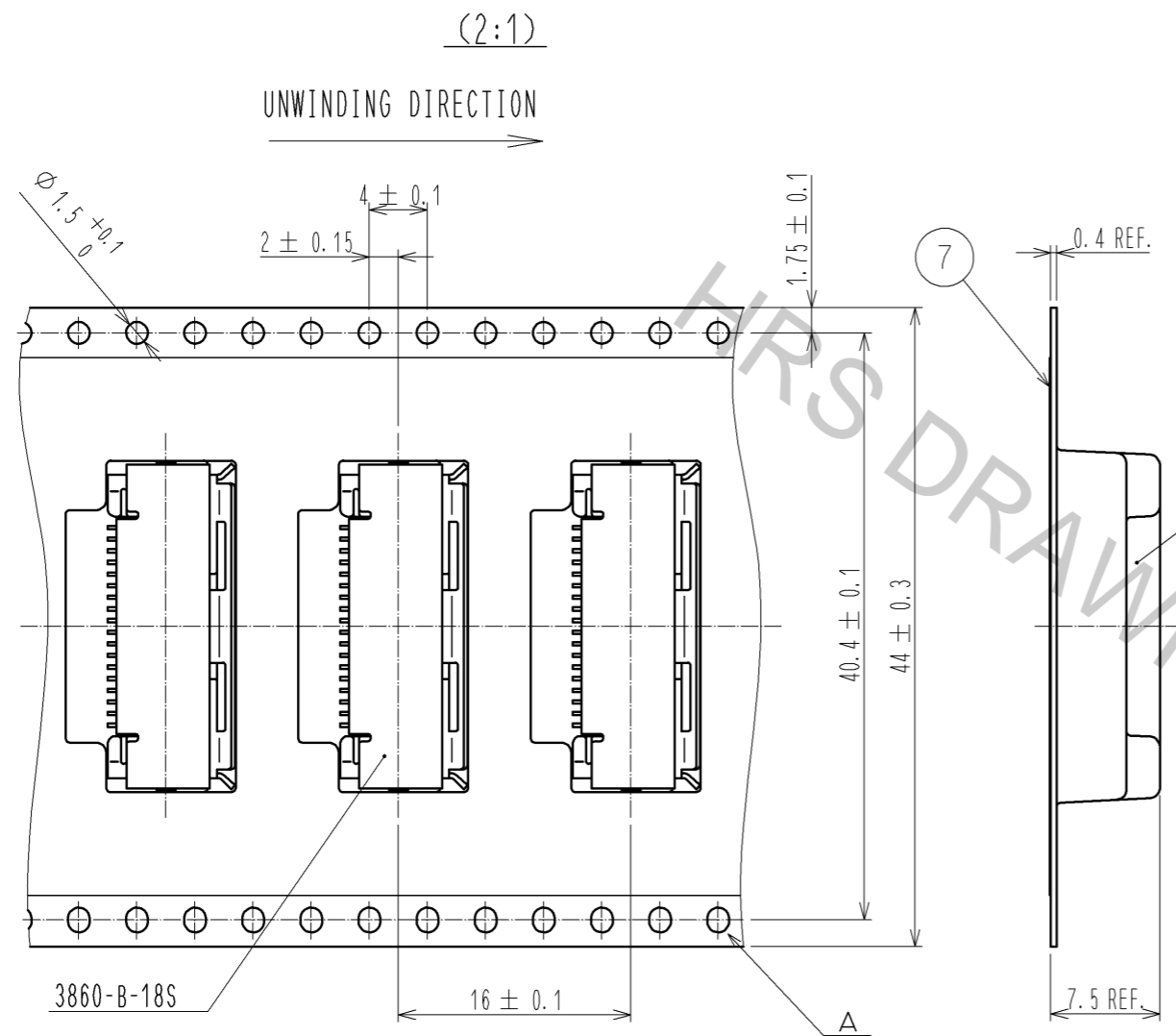


NO.	MATERIAL	FINISH	REMARKS	NO.	MATERIAL	FINISH	REMARKS
4	STAINLESS STEEL	TIN-PLATING		7	PS		
3	PA	(BLACK)	UL94V-0	6	PS		
2	COPPER ALLOY	SELECTIVE GOLD PLATING	0.76 μm MIN	5	PA	(BLACK)	UL94V-0
1	PA	(BLACK)	UL94V-0				

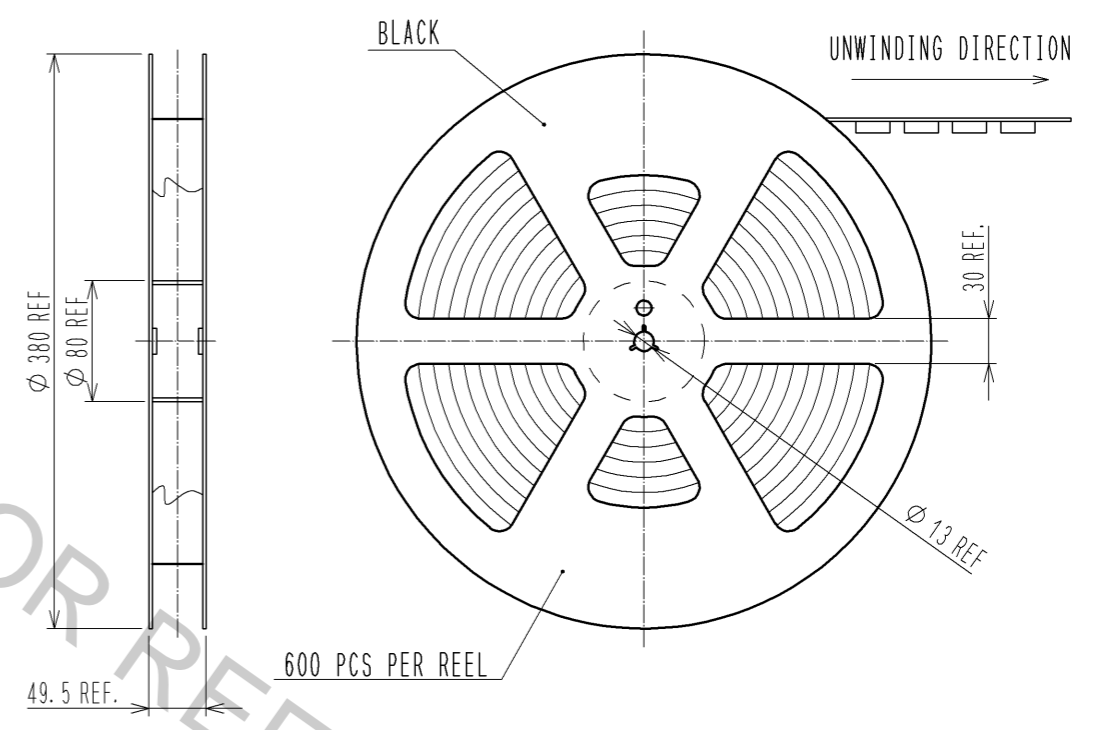
UNITS	SCALE	COUNT	DESCRIPTION OF REVISIONS	DESIGNED	CHECKED	DATE
mm	4 : 1	1	DIS-E-003218	KO. KAWAMURA	TA. ASO	10.04.02

APPROVED	CHECKED	DESIGNED	DRAWN	DATE	DRAWING NO.	PART NO.	CODE NO.
NF. MIYAZAKI	TA. ASO	KO. KAWAMURA	KO. KAWAMURA	09.11.19	EDC3-127058-00	3860-B-18S	CL238-2006-7-00

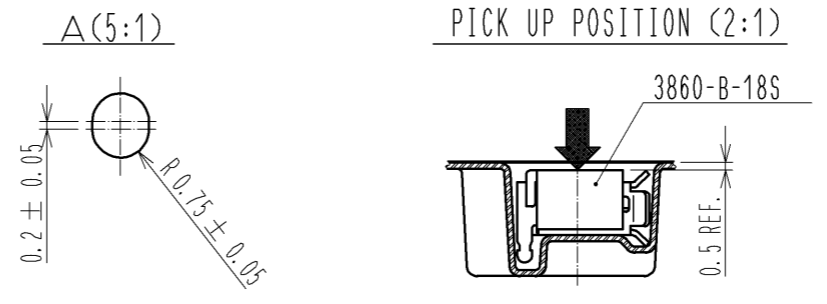
Oct.1.2018 Copyright 2018 HIROSE ELECTRIC CO., LTD. All Rights Reserved.
 In case that the application demands a high level of reliability, such as automotive,
 please contact a company representative for further information.



PLASTIC REEL PACKAGING DIMENSIONS
(FREE)



DIMENSIONS FOR VACUUM
PICK UP POSITION (2:1)



HRS	DRAWING NO.	EDC3-127058-00	
	PART NO.	3860-B-18S	
	CODE NO.	CL238-2006-7-00	