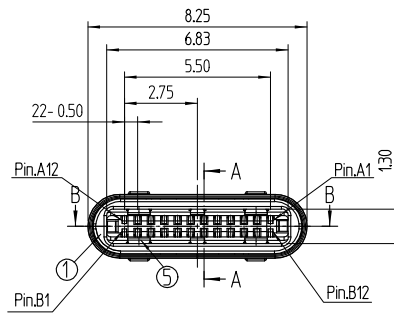
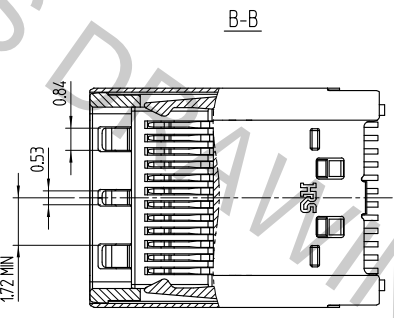
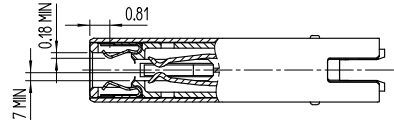
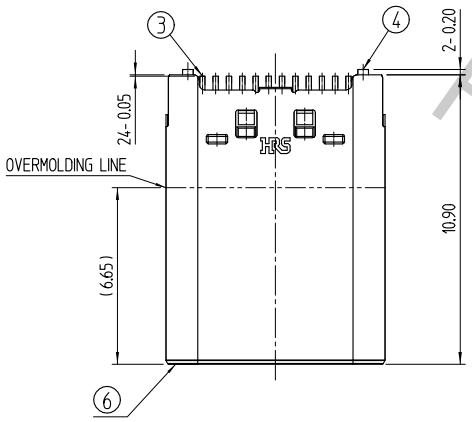
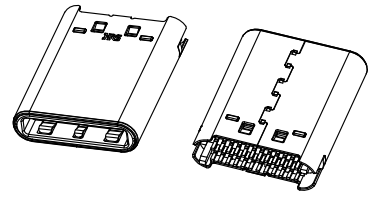


Oct.1.2018 Copyright 2018 HIROSE ELECTRIC CO., LTD. All Rights Reserved.
 In case that the application demands a high level of reliability, such as automotive, please contact a company representative for further information.

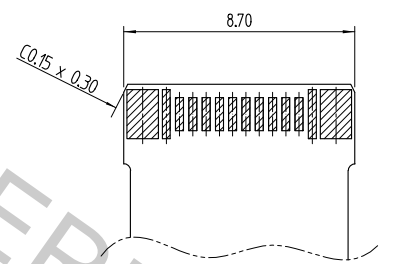
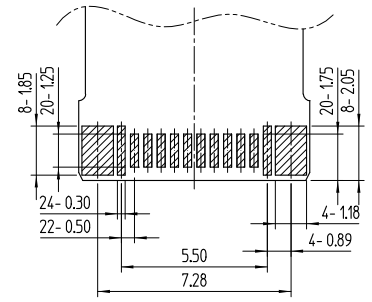
△數		訂正事項			擔當			檢圖			年月日		△數		訂正事項			擔當		檢圖		年月日		
COUNT		DESCRIPTION OF REVISIONS			B	Y	CHKD	B	Y	CHKD	B	Y	DATE	COUNT		DISCRPTION OF REVISIONS			B	Y	CHKD	B	Y	DATE
△	-	Revised			PJS	LHJ	16_04_15	△	-	Revised			PJS	LHJ	16_07_25									
△	-	Revised			PJS	LHJ	16_05_12	△	-	Revised			PJS	KHJ	16_11_11									
△	-	Revised			PJS	LHJ	16_06_16	△	-															



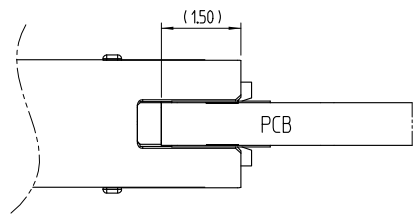
ISO-VIEW(N/S)



RECOMMENDED PCB LAY OUT
 (General Tolerance : ±0.05)



PCB MOUNTING POSITION



USB Type-C Plug Interface(Front View)

A12	A11	A10	A9	A8	A7	A6	A5	A4	A3	A2	A1
GND	RX2+	RX2-	Vbus	SBU1	D-	D+	CC	Vbus	TX1-	TX1+	GND
GND	TX2+	TX2-	Vbus	VCONN			SBU2	Vbus	RX1-	RX1+	GND
B1	B2	B3	B4	B5	B6	B7	B8	B9	B10	B11	B12

[NOTE] 1 GENERAL TOLERANCE : ±0.2
 2 PACKING : 150 UNIT / TRAY

3	COPPER ALLOY	Gold Plating	6	STAINLESS STEEL	Nickel
2	LCP	UL94-V0, COLOR BLACK	5	STAINLESS STEEL	Nickel
1	PA	UL94-V0, COLOR BLACK	4	STAINLESS STEEL	Nickel
NO.	MATERIAL	FINISH,REMARKS	NO.	MATERIAL	FINISH,REMARKS

REMARK	DRAWN	DESIGNED	CHECKED	APPROVED	RELEASED
	J.S.PARK 16.04.15	J.S.PARK 16.04.15	H.J.LEE 16.04.15	T.S.KANG 16.04.15	DEPT 17.09.04 ENG

SCALE 5:1 UNITS mm	DRAWING NO.	PART NO.
	ADC3-631979	CX60-24S-UNIT
HRS HIROSE KOREA CO.,LTD.	CODE NO.	1/1
	CL6240-0001-9	