

| 製品コード | CONTACT | A | B | C | D | E | F | G | H | J |
|------------------|---------|------|------|------|------|------|------|------|------|------|
| CL0683-0122-4-57 | 20 | 10 | 6.7 | 5.6 | 4.5 | 9.8 | 8.2 | 7 | 10.4 | 7.6 |
| CL0683-0123-7-57 | 30 | 12.5 | 9.2 | 8.1 | 7 | 12.3 | 10.7 | 9.5 | 12.9 | 10.1 |
| CL0683-0124-0-57 | 40 | 15 | 11.7 | 10.6 | 9.5 | 14.8 | 13.2 | 12 | 15.4 | 12.6 |
| CL0683-0125-2-57 | 50 | 17.5 | 14.2 | 13.1 | 12 | 17.3 | 15.7 | 14.5 | 17.9 | 15.1 |
| CL0683-0126-5-57 | 60 | 20 | 16.7 | 15.6 | 14.5 | 19.8 | 18.2 | 17 | 20.4 | 17.6 |
| CL0683-0127-8-57 | 70 | 22.5 | 19.2 | 18.1 | 17 | 22.3 | 20.7 | 19.5 | 22.9 | 20.1 |
| CL0683-0128-0-57 | 80 | 25 | 21.7 | 20.6 | 19.5 | 24.8 | 23.2 | 22 | 25.4 | 22.6 |

NOTES ① LEAD CO-PLANARITY INCLUDE REINFORCED METAL FITTINGS SHALL BE 0.1 mm MAX.
 ② WATCH NOT LET THE CONTACTS TOUCH THE SECTION ESPECIALLY WHEN THE PADS OF AREA NOT RESIST FINISHED.

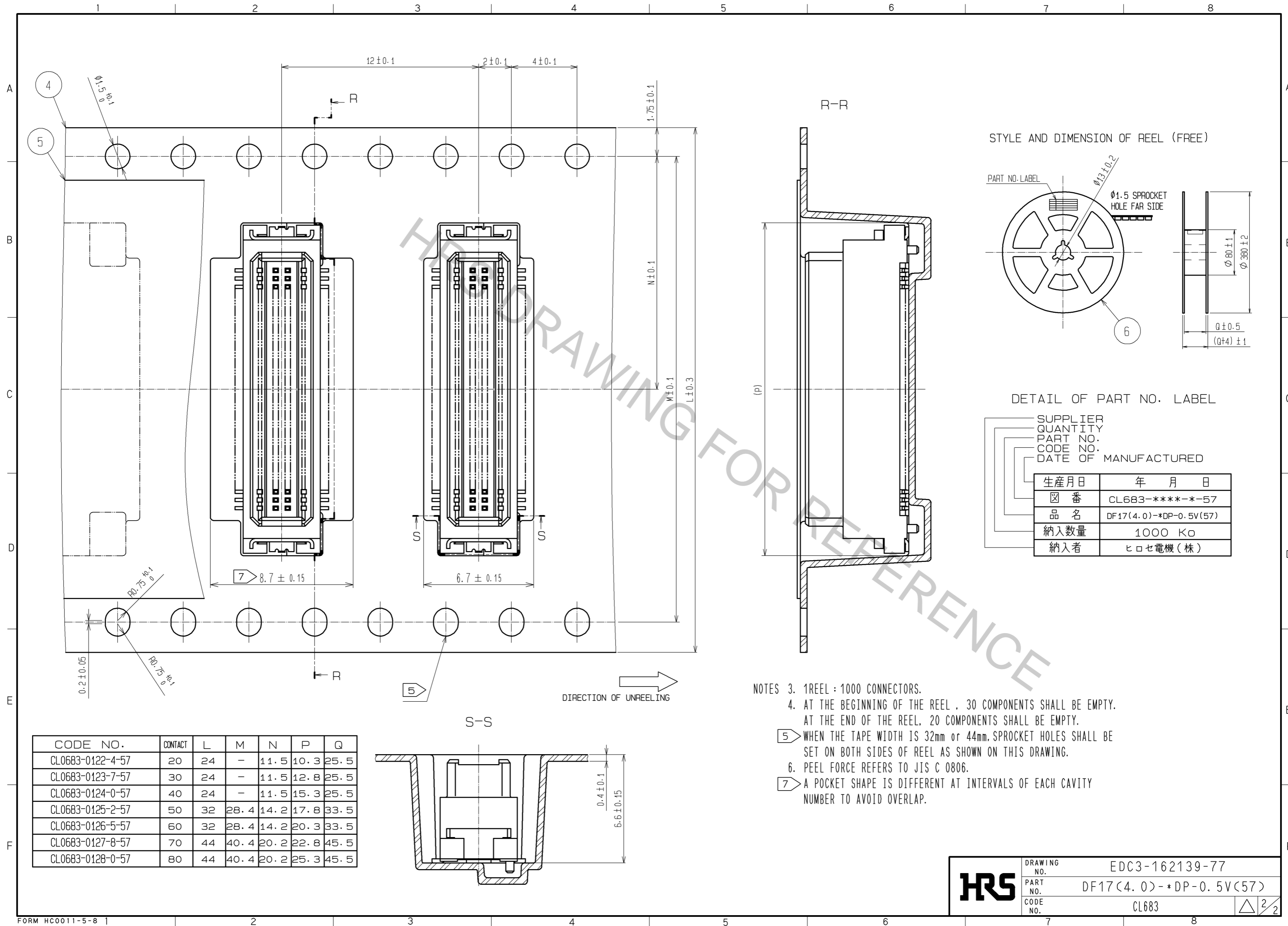
MATED HIGHT (h) (mm)

| RECEPTACLE NO. | DF17#(3.0)-*DS-0.5V(57) | DF17#(4.0)-*DS-0.5V(57) |
|-------------------------|-------------------------|-------------------------|
| HEADER NO. | 7 | 8 |
| DF17#(4.0)-*DP-0.5V(57) | | |

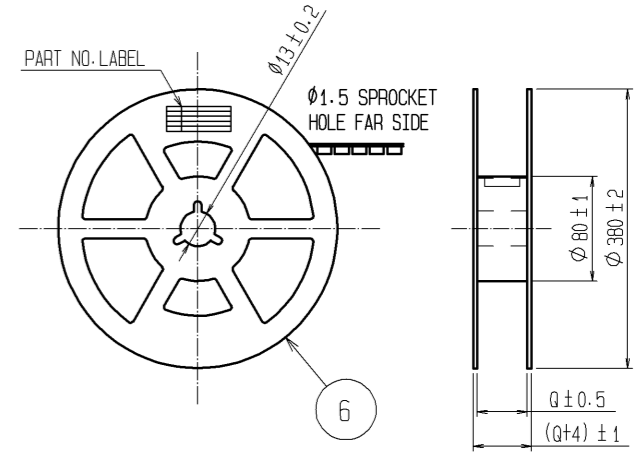
| NO. | MATERIAL | FINISH , REMARKS | NO. | MATERIAL | FINISH , REMARKS |
|-----|------------------|---|-----|-----------------|---|
| 2 | POLYAMIDE (PA6T) | NATURAL (BEIGE)・UL94V-0 | 6 | PS | PLASTIC REEL・BLACK |
| 1 | PHOSPHOR BRONZE | CONTACT AREA:GOLD PLATED 0.1µm min LEAD AREA:TIN PLATED 1µm min UNDER PLATING:NICKEL PLATED 1µm min | 5 | POLYESTER | CLEAR (COVER TAPE) |
| | | | 4 | PS | CLEAR (EMBOSSD CARRIER TAPE) |
| | | | 3 | PHOSPHOR BRONZE | TIN PLATED 1µm min UNDER PLATING:NICKEL PLATED 1µm min |

| UNITS | SCALE | COUNT | DESCRIPTION OF REVISIONS | DESIGNED | CHECKED | DATE |
|-------|-------|-------|---------------------------------|----------|---------|------|
| mm | 5 : 1 | △ | APPROVED : KH. IKEDA 11.12.01 | | | |
| | | | CHECKED : TS. MIYAZAKI 11.12.01 | | | |
| | | | DESIGNED : YH. MICHIDA 11.12.01 | | | |
| | | | DRAWN : YH. MICHIDA 11.12.01 | | | |

| DRAWING NO. | PART NO. | CODE NO. |
|----------------|------------------------|----------|
| EDC3-162139-77 | DF17(4.0)-*DP-0.5V(57) | CL683 |



STYLE AND DIMENSION OF REEL (FREE)



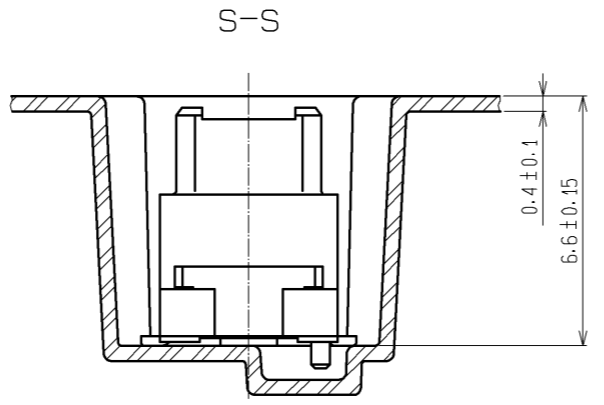
DETAIL OF PART NO. LABEL

SUPPLIER
 QUANTITY
 PART NO.
 CODE NO.
 DATE OF MANUFACTURED

| | |
|------|------------------------|
| 生産月日 | 年 月 日 |
| 図 番 | CL683-*****-57 |
| 品 名 | DF17(4.0)-*DP-0.5V(57) |
| 納入数量 | 1000 KO |
| 納入者 | ヒロセ電機(株) |

- NOTES
- 1 REEL : 1000 CONNECTORS.
 - AT THE BEGINNING OF THE REEL , 30 COMPONENTS SHALL BE EMPTY.
 AT THE END OF THE REEL, 20 COMPONENTS SHALL BE EMPTY.
 - WHEN THE TAPE WIDTH IS 32mm or 44mm, SPROCKET HOLES SHALL BE SET ON BOTH SIDES OF REEL AS SHOWN ON THIS DRAWING.
 - PEEL FORCE REFERS TO JIS C 0806.
 - A POCKET SHAPE IS DIFFERENT AT INTERVALS OF EACH CAVITY NUMBER TO AVOID OVERLAP.

| CODE NO. | CONTACT | L | M | N | P | Q |
|------------------|---------|----|------|------|------|------|
| CL0683-0122-4-57 | 20 | 24 | - | 11.5 | 10.3 | 25.5 |
| CL0683-0123-7-57 | 30 | 24 | - | 11.5 | 12.8 | 25.5 |
| CL0683-0124-0-57 | 40 | 24 | - | 11.5 | 15.3 | 25.5 |
| CL0683-0125-2-57 | 50 | 32 | 28.4 | 14.2 | 17.8 | 33.5 |
| CL0683-0126-5-57 | 60 | 32 | 28.4 | 14.2 | 20.3 | 33.5 |
| CL0683-0127-8-57 | 70 | 44 | 40.4 | 20.2 | 22.8 | 45.5 |
| CL0683-0128-0-57 | 80 | 44 | 40.4 | 20.2 | 25.3 | 45.5 |



| | | |
|------------|-------------|------------------------|
| HRS | DRAWING NO. | EDC3-162139-77 |
| | PART NO. | DF17(4.0)-*DP-0.5V(57) |
| | CODE NO. | CL683 |
| | | △ 2/2 |