

PART No.	CODE No.	NUMBER OF CONTACT	A	B	C
DF19G- 8P-1H(54)	CL685-0021-0-54	8	11.55	7	11.95
DF19G-14P-1H(54)	CL685-0004-0-54	14	17.55	13	17.95
DF19G-20P-1H(54)	CL685-0006-6-54	20	23.55	19	23.95
DF19G-30P-1H(54)	CL685-0015-7-54	30	33.55	29	33.95

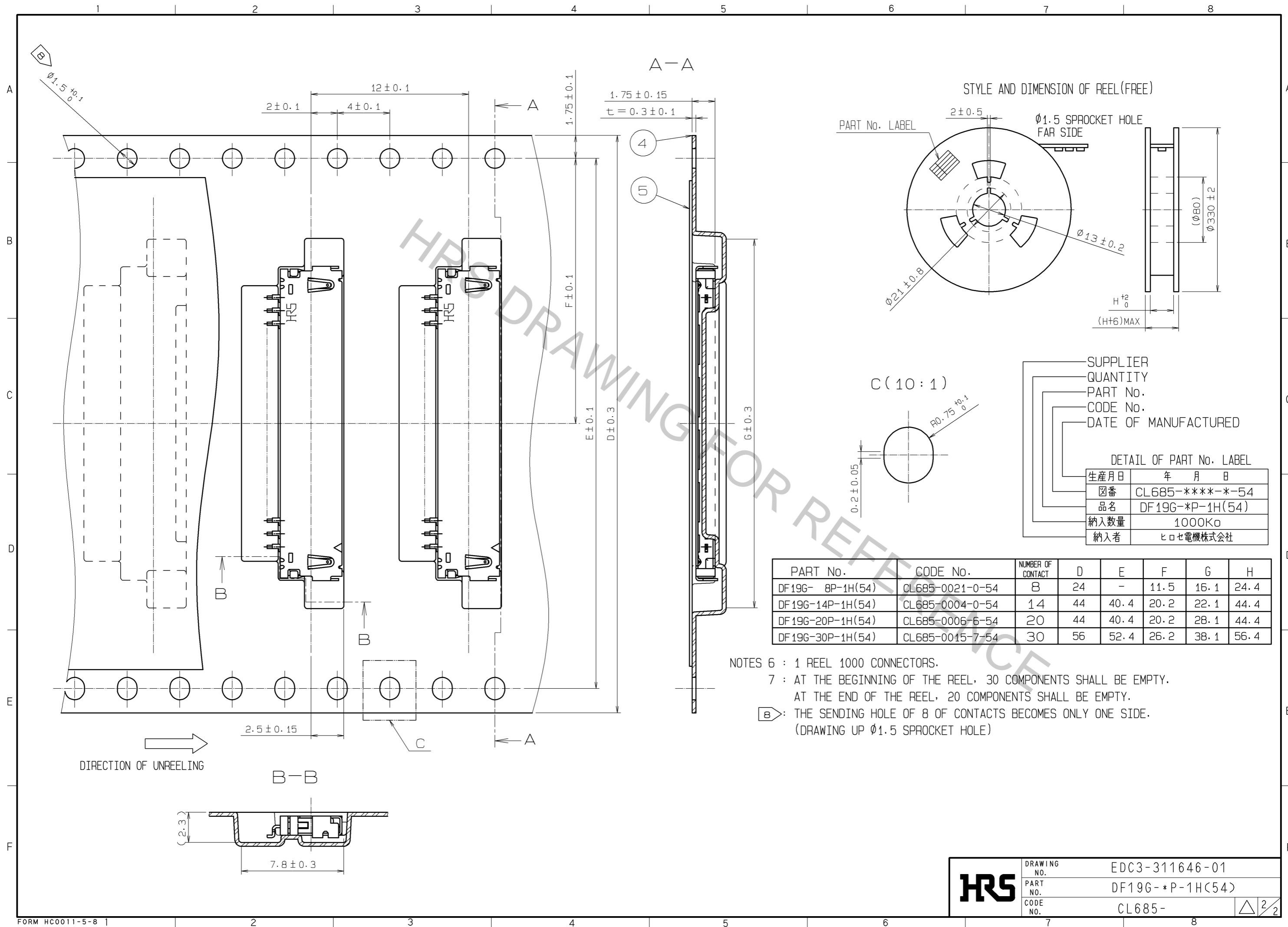
- NOTES
- 1 : LEAD CO-PLANARITY SHALL BE 0.1mm MAX.
 - 2 : IF SOLDERING PADS IS LONG, THERE IS A POSSIBILITY THAT IT WILL MAKE CONTACT WITH THE METAL SHELL.
 - 3 : IF THERE IS PATTERN ON PART, THERE IS A POSSIBILITY THAT IT WILL MAKE CONTACT WITH THE METAL SHELL.
 - 4 : RECOMMENDED THICKNESS OF CREAM SOLDER PASTE : 0.15mm
OPEN AREA RATIO : 100%

NO.	MATERIAL	FINISH, REMARKS	NO.	MATERIAL	FINISH, REMARKS
2	PHOSPHOR BRONZE	LEAD AREA:TIN PLATED 1#m min 5 UNDER PLATING:NICKEL PLATED 0.5#m min	3	PHOSPHOR BRONZE	LEAD AREA:TIN-COPPER PLATED 1#m min UNDER PLATING:NICKEL PLATED 1#m min
1	POLYAMIDE	BLACK, UL94V-0	4	PS	CLEAR(EMBOSSD CARRIER TAPE)
			5	POLYESTER	CLEAR(COVER TAPE)

UNITS	SCALE	COUNT	DESCRIPTION OF REVISIONS	DESIGNED	CHECKED	DATE
mm	5 : 1	△	APPROVED : TS. SAKATA 09.03.02			
			CHECKED : TS. KUMAZAWA 09.03.02			
			DESIGNED : SN. KOBAYASHI 09.02.27			
			DRAWN : SN. KOBAYASHI 09.02.27			

DRAWING NO.	PART NO.	CODE NO.
EDC3-311646-01	DF19G- *P-1H(54)	CL685-

Oct.1.2018 Copyright 2018 HIROSE ELECTRIC CO., LTD. All Rights Reserved.
 In case that the application demands a high level of reliability, such as automotive,
 please contact a company representative for further information.



HRS	DRAWING NO.	EDC3-311646-01
	PART NO.	DF19G-*P-1H(54)
	CODE NO.	CL685-