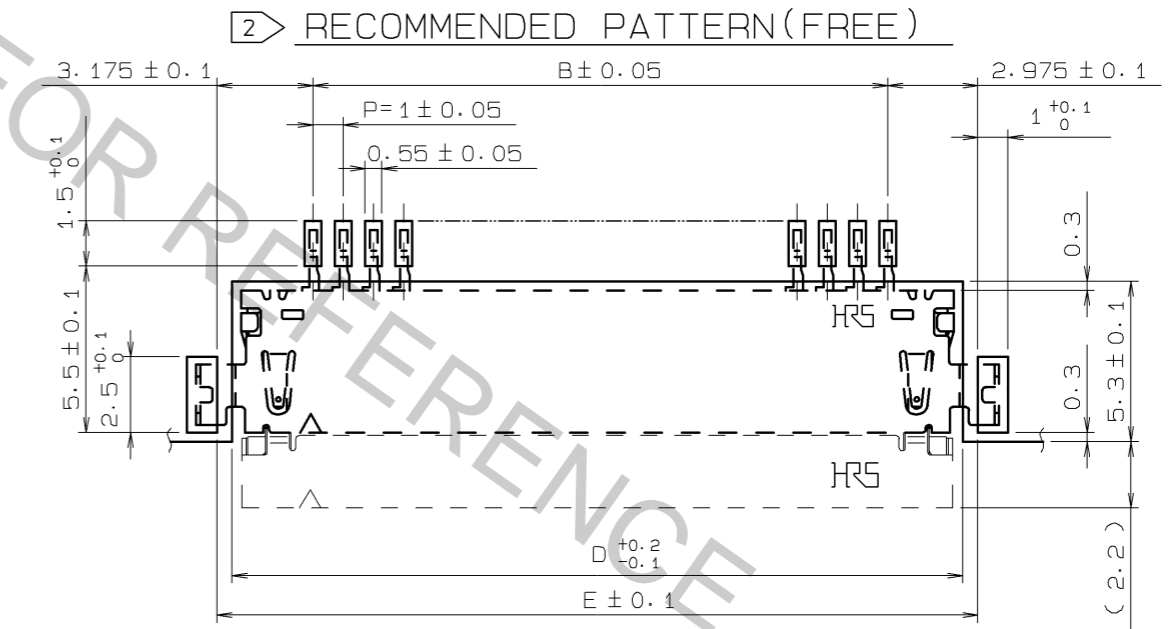
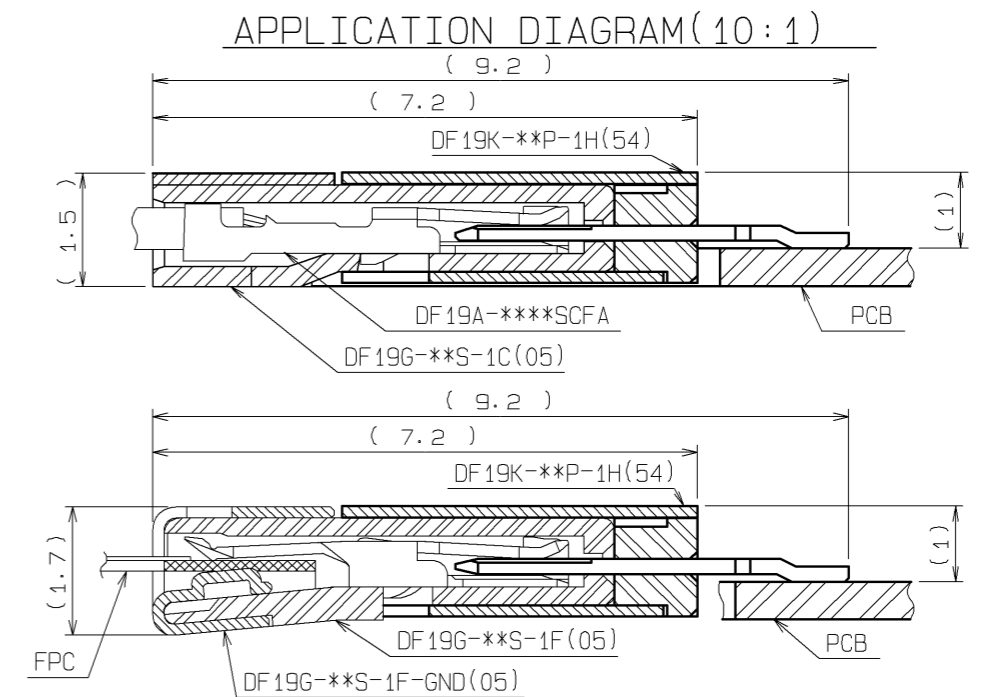
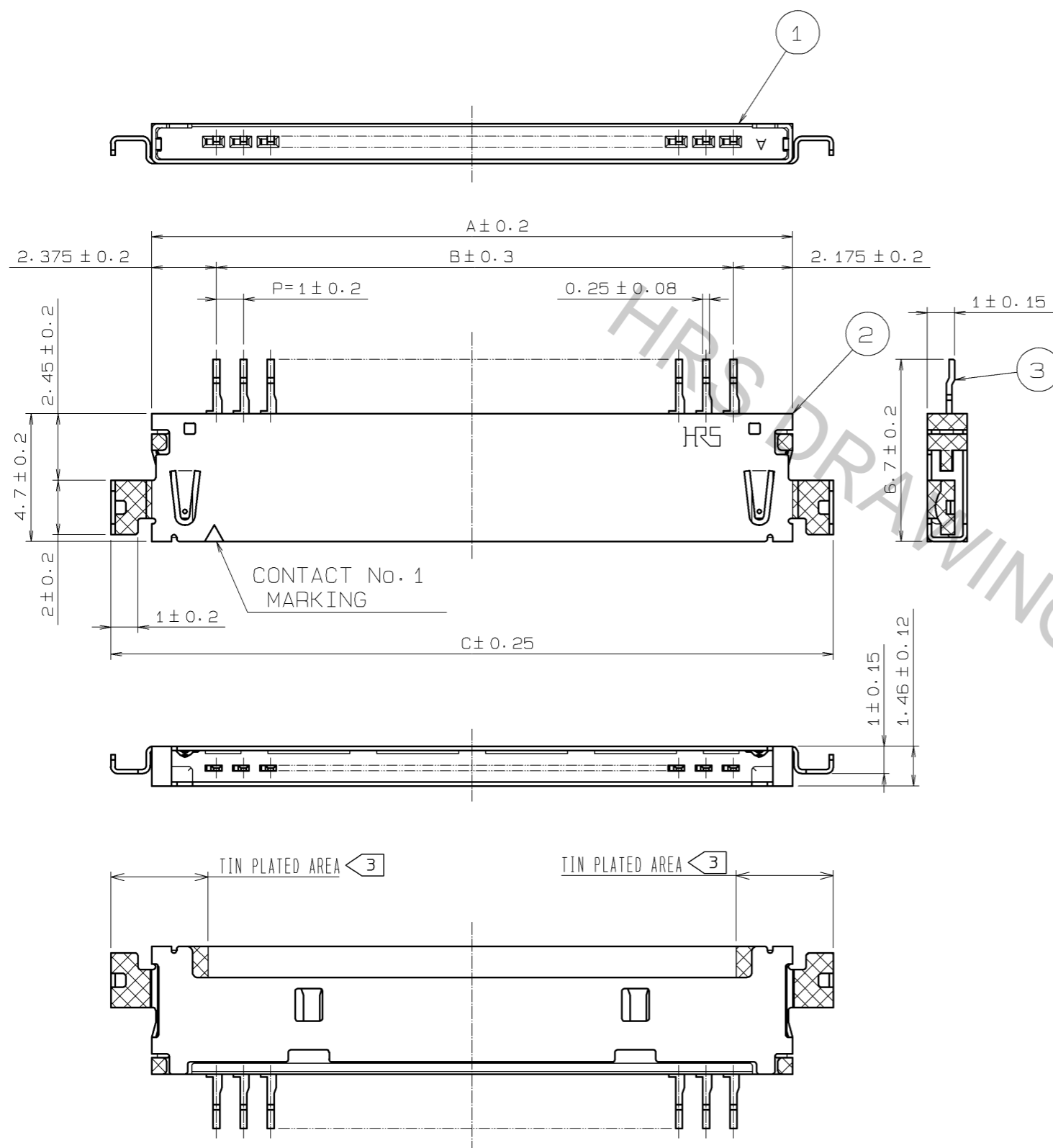


Oct.1.2018 Copyright 2018 HIROSE ELECTRIC CO., LTD. All Rights Reserved.
 In case that the application demands a high level of reliability, such as automotive,
 please contact a company representative for further information.



PART No.	CODE No.	NUMBER OF CONTACT	A	B	C	D	E
DF19K-20P-1H(54)	CL685-0008-1-54	20	23.55	19	26.55	24.15	25.15
DF19K-30P-1H(54)	CL685-0032-6-54	30	33.55	29	36.55	34.15	35.15

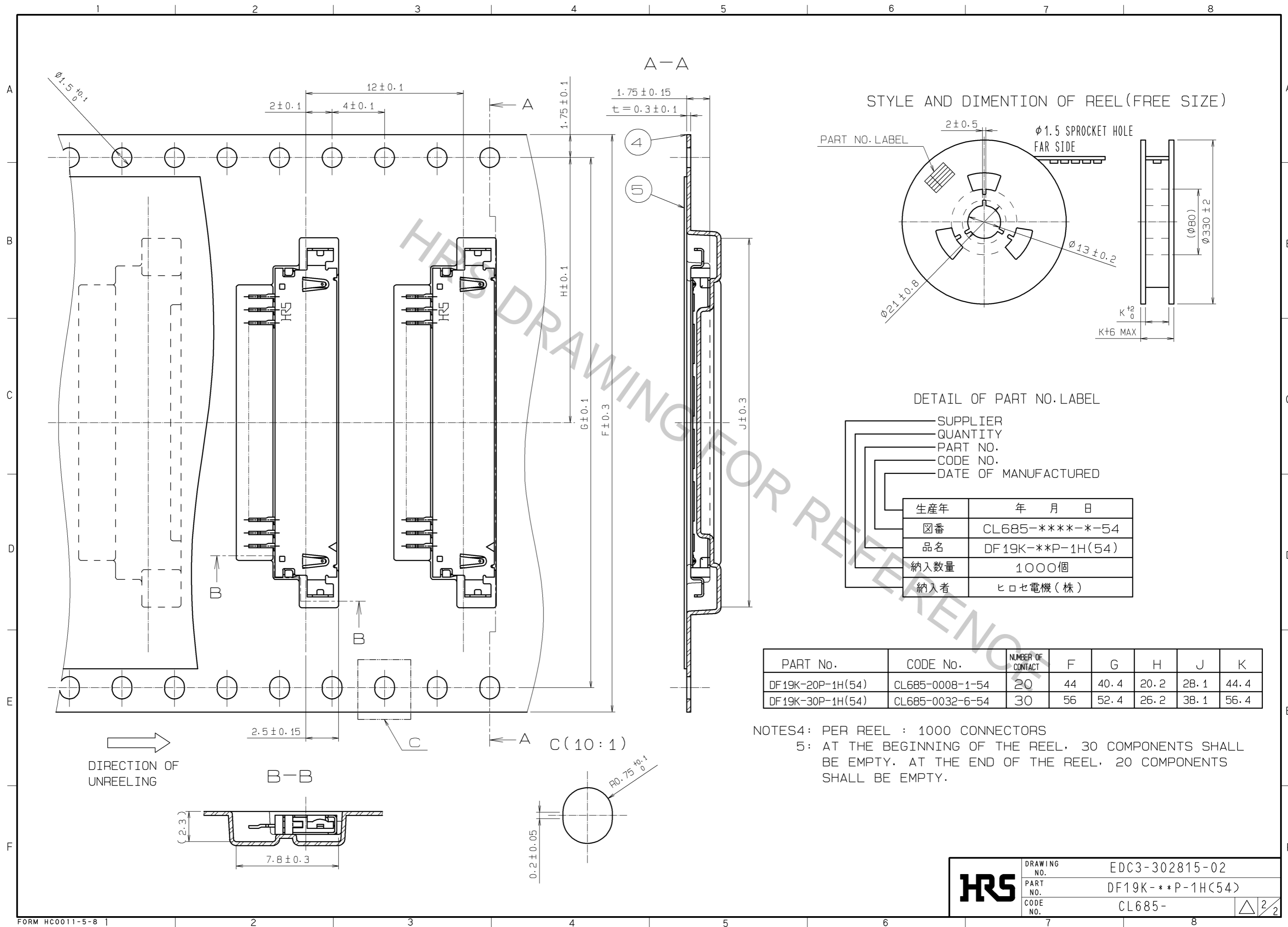
NOTES1: LEAD CO-PLANARITY SHALL BE 0.1 mm MAX.
 2) RECOMMENDED THICKNESS OF CREAM SOLDER PASTE: 0.15mm
 OPEN AREA RATIO: 100%

NO.	MATERIAL	FINISH, REMARKS	NO.	MATERIAL	FINISH, REMARKS
2	PHOSPHER BRONZE	LEAD AREA:TIN PLATED 1μm min UNDER PLATING:NICKEL PLATED 0.5μm min	3	PHOSPHER BRONZE	LEAD AREA:TIN-COPPER PLATED 1μm min UNDER PLATING:NICKEL PLATED 1μm min
1	POLYAMIDE	BLACK, UL94V-0	4	PS	CLEAR, (EMBOSSD CARRIER TAPE)
			5	POLYESTER	CLEAR, (COVER TAPE)

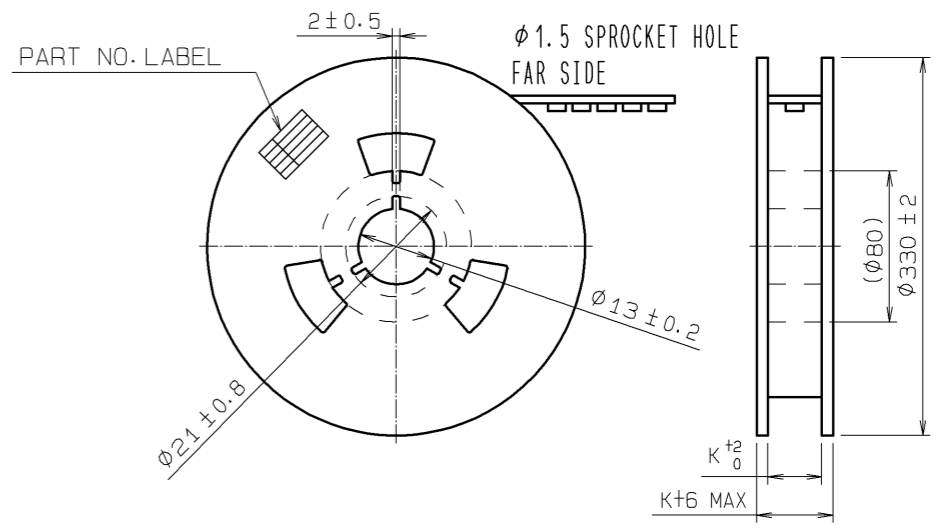
UNITS	SCALE	COUNT	DESCRIPTION OF REVISIONS	DESIGNED	CHECKED	DATE
mm	5 : 1	△	APPROVED : TS. SAKATA 09.03.02			
			CHECKED : TS. KUMAZAWA 09.03.02			
			DESIGNED : SN. KOBAYASHI 09.02.27			
			DRAWN : SN. KOBAYASHI 09.02.27			

DRAWING NO.	PART NO.	CODE NO.
EDC3-302815-02	DF19K-***P-1H(54)	CL685-

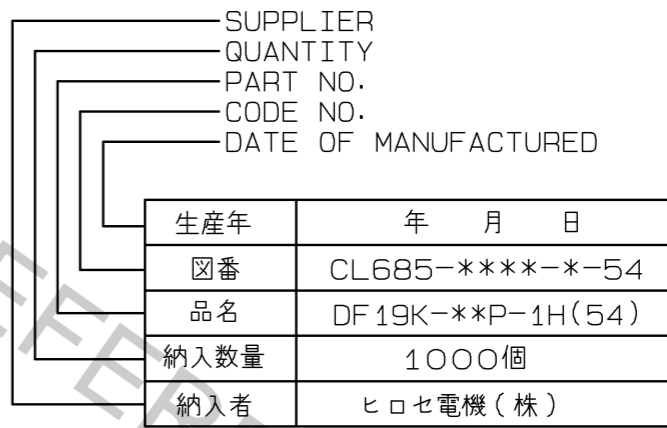
Oct.1.2018 Copyright 2018 HIROSE ELECTRIC CO., LTD. All Rights Reserved.
 In case that the application demands a high level of reliability, such as automotive,
 please contact a company representative for further information.



STYLE AND DIMENTION OF REEL (FREE SIZE)



DETAIL OF PART NO. LABEL



PART No.	CODE No.	NUMBER OF CONTACT	F	G	H	J	K
DF19K-20P-1H(54)	CL685-0008-1-54	20	44	40.4	20.2	28.1	44.4
DF19K-30P-1H(54)	CL685-0032-6-54	30	56	52.4	26.2	38.1	56.4

NOTES4: PER REEL : 1000 CONNECTORS
 5: AT THE BEGINNING OF THE REEL, 30 COMPONENTS SHALL BE EMPTY. AT THE END OF THE REEL, 20 COMPONENTS SHALL BE EMPTY.

HRS	DRAWING NO.	EDC3-302815-02
	PART NO.	DF19K-**P-1H(54)
	CODE NO.	CL685-