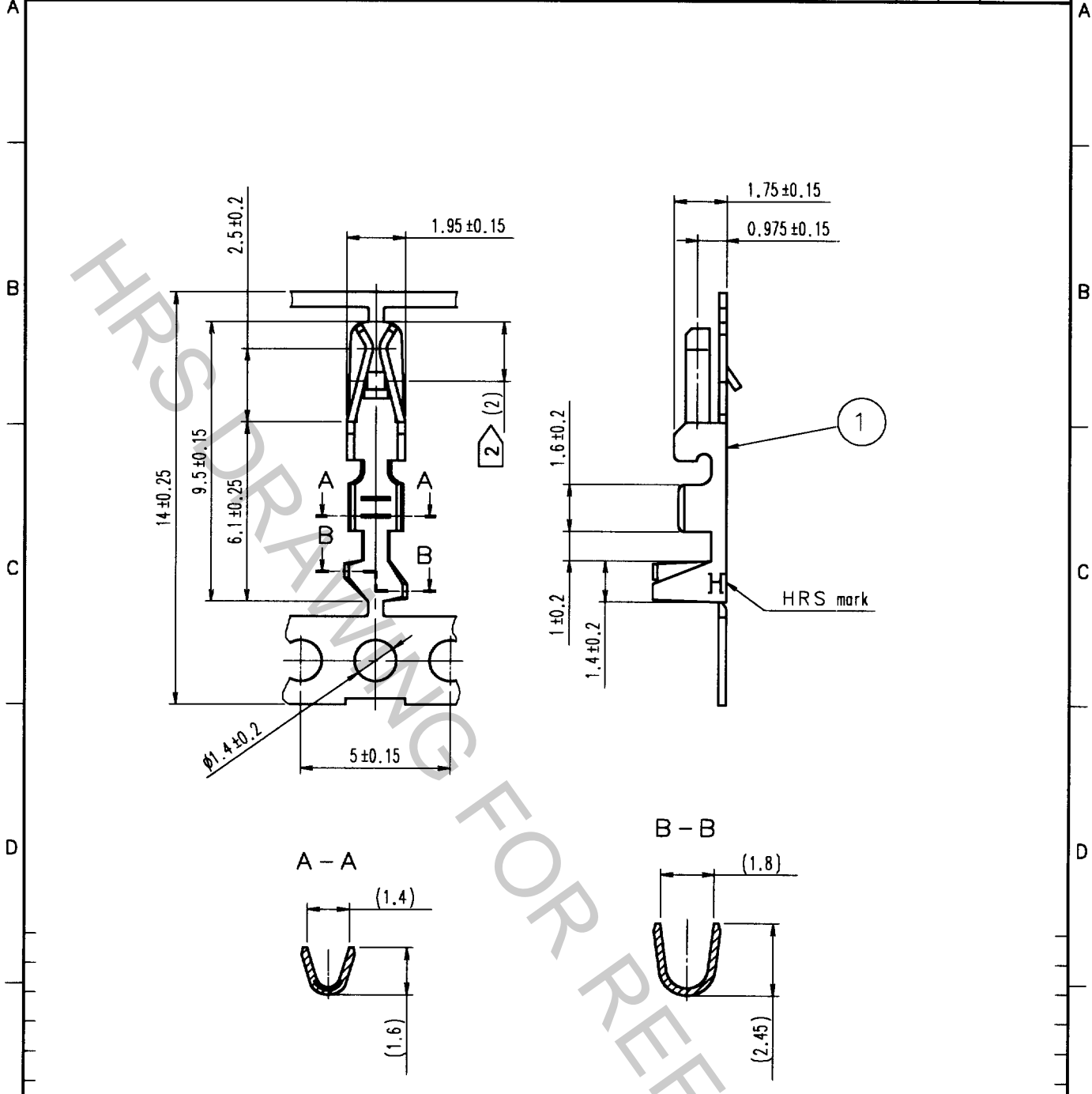


Oct.1.2018 Copyright 2018 HIROSE ELECTRIC CO., LTD. All Rights Reserved.  
 In case that the application demands a high level of reliability, such as automotive,  
 please contact a company representative for further information.

1		2			3			4		
COUNT	DESCRIPTION OF REVISIONS	BY	CHKD	DATE	COUNT	DESCRIPTION OF REVISIONS	BY	CHKD	DATE	
△					△					
△					△					
△					△					



NOTES 1. APPLICABLE CABLE : AWG24 TO 28  
 2. GOLD PLATE AREA

1	PHOSPHOR BRONZE	CONTACT: GOLD PLATING 0.2 μm OTHER: NICKEL PLATING 1μm
NO.	MATERIAL	FINISH, REMARKS

CODE NO. (OLD)	DRAWN	DESIGNED	CHECKED	APPROVED	RELEASED
	Y. INOUE	Y. Inoue	T. Miyazaki	K. Katayama	
	00.09.18	'00. 9.18	'00. 9.18	'00. 9.18	

 SCALE 5 : 1 UNITS mm	DRAWING NO.	PART NO.
	EDC4-080532	DF1B-2428SCFA
 HIROSE ELECTRIC CO., LTD.	CODE NO.	1/1
	CL541-0680-3	

TO