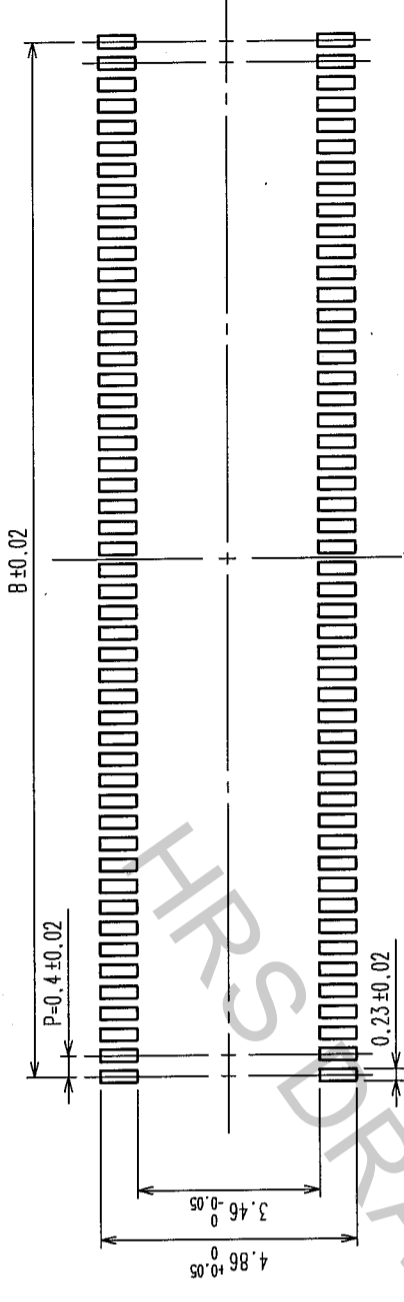
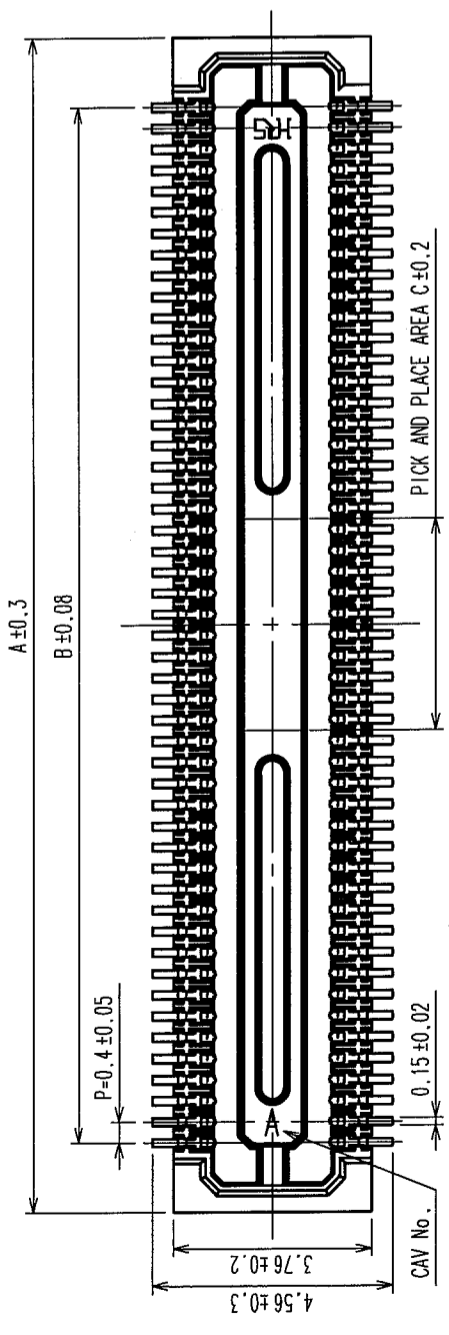
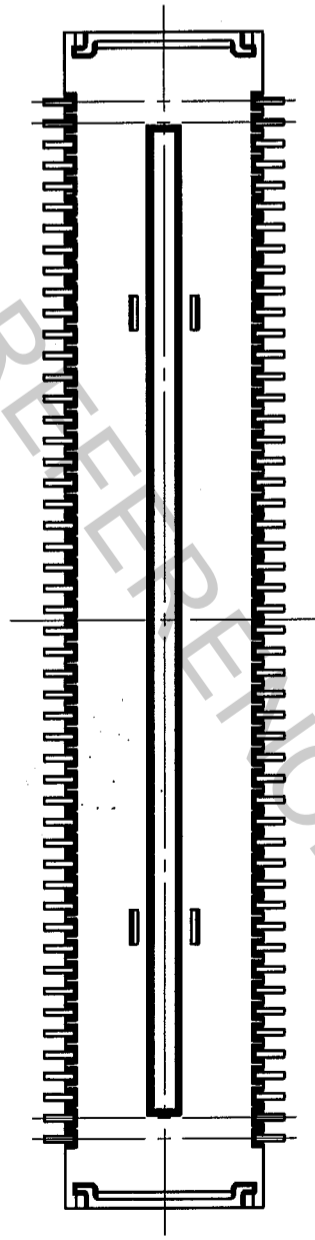
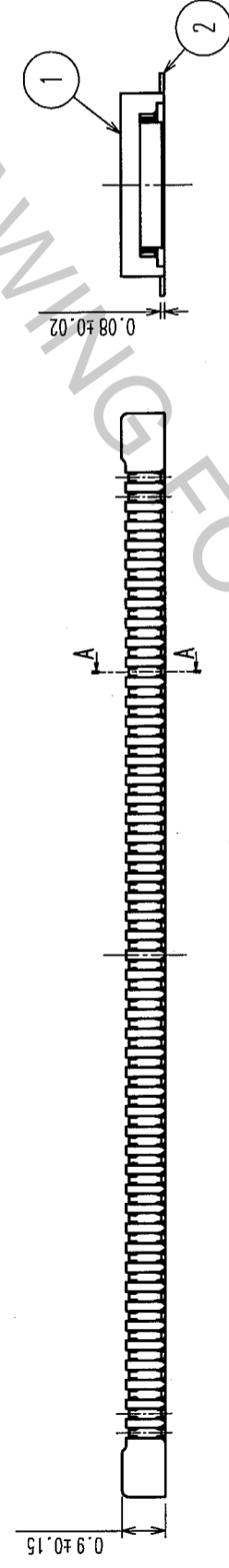


NO.	DATE	BY	CHKD	DESCRIPTION OF REVISIONS	COUNT	DESCRIPTION OF REVISIONS	BY	CHKD	DATE
1									
2									
3									
4									
5									
6									
7									
8									

RECOMMENDED PATTERN



RECOMMENDED SOLDER PASTE: THICKNESS 120 μm



PART NO.	CODE NO.	A	B	C
DF30FC-80DS-0.4V(82)	CL684-1116-3-82	18.22	15.6	3.2
DF30FC-70DS-0.4V(82)	CL684-1115-0-82	16.22	13.6	2.8
DF30FC-60DS-0.4V(82)	CL684-1082-3-82	14.22	11.6	2.4
DF30FC-50DS-0.4V(82)	CL684-1114-8-82	12.22	9.6	2
DF30FC-40DS-0.4V(82)	CL684-1078-6-82	10.22	7.6	1.6
DF30FC-34DS-0.4V(82)	CL684-1113-5-82	9.02	6.4	1.36
DF30FC-30DS-0.4V(82)	CL684-1112-2-82	8.22	5.6	1.2
DF30FC-24DS-0.4V(82)	CL684-1111-0-82	7.02	4.4	1.2
DF30FC-22DS-0.4V(82)	CL684-1110-7-82	6.62	4.0	1.2
DF30FC-20DS-0.4V(82)	CL684-1109-8-82	6.22	3.6	1.2

- NOTE 1: ALL LEADS CO-PLANARITY SHALL BE 0.1 MAX.  
 2. PER REEL : 1000 CONNECTORS.  
 3. AT THE BEGINNING OF THE REEL, 100 MM AT MIN SHALL BE EMPTY POCKETS.  
 AT THE END OF THE REEL, 160 MM AT MIN SHALL BE EMPTY POCKETS.  
 NO CAVITY ON THE CONNECTORS LESS THAN 24 POS.  
 CONTACT PLATING SPECIFICATIONS.  
 CONTACT AREA : GOLD 0.05 μm MIN.  
 SMT LEAD : GOLD 0.02 μm MIN.  
 UNDERPLATING : NICKEL 1 μm MIN.  
 (SURFACE : SEALING)

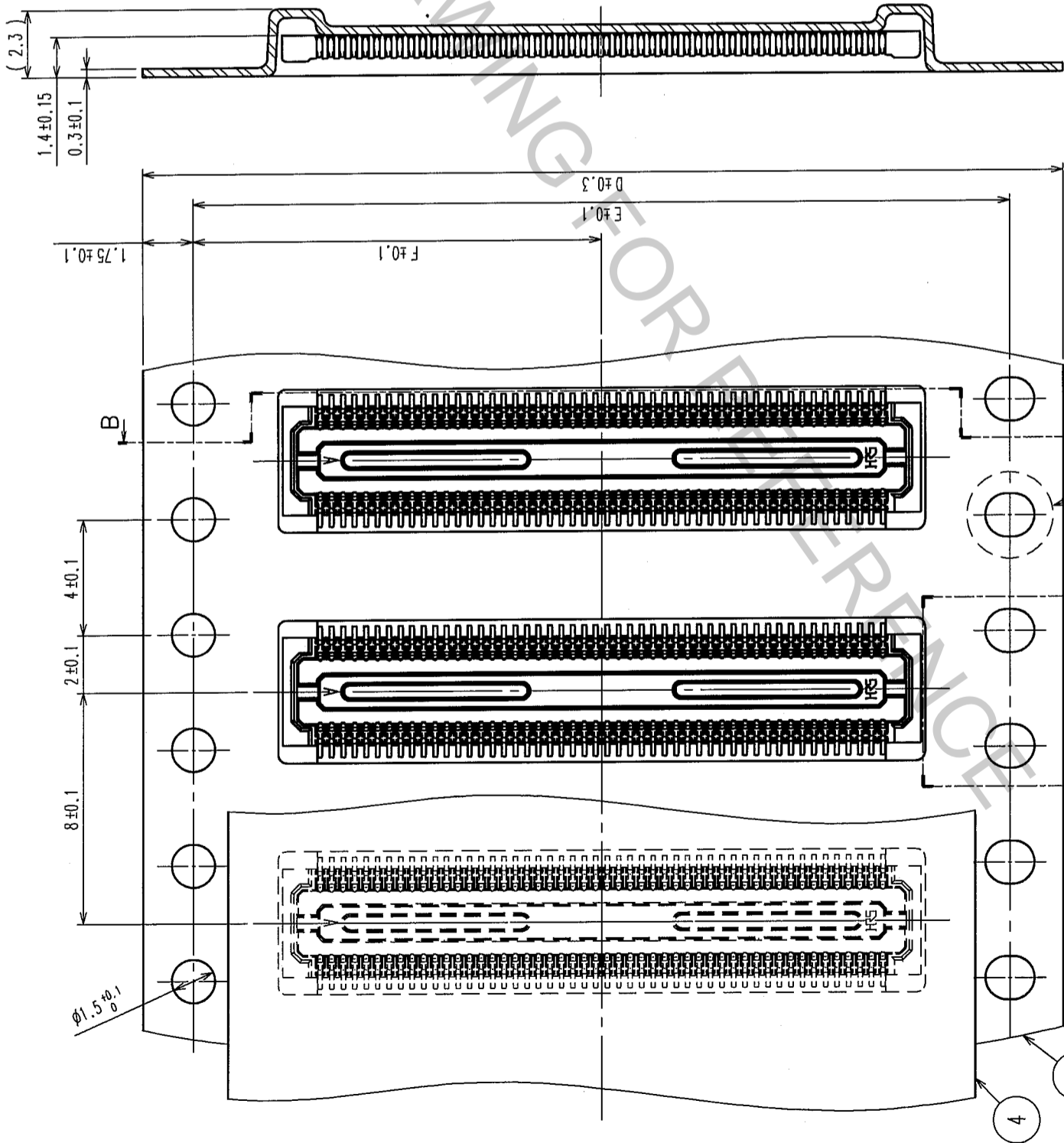
2	PHOSPHOR BRONZE	5	4	POLYESTER	CLEAR(COVER TAPE)
1	LCP	UL94V-0, BLACK	3	PS	CLEAR(EMBOSSED CARRIER TAPE)
NO.	MATERIAL	FINISH, REMARKS	NO.	MATERIAL	FINISH, REMARKS
CODE NO. (OLD)			DESIGNED	CHECKED	APPROVED
			RELEASED		
SCALE	FREE				
UNITS	mm				
DRAWING NO.	EDC3-303556-05	PART NO.	DF30FC-*DS-0.4V(82)		
DESIGNED	T.NISHI	CHECKED	K. Mitsuhashi	APPROVED	Y. Oga
DRAWN	040825	DATE	04.08.25	DATE	04.08.25
CODE NO.					
CL684-***-82					
FORM NO.229					

TO

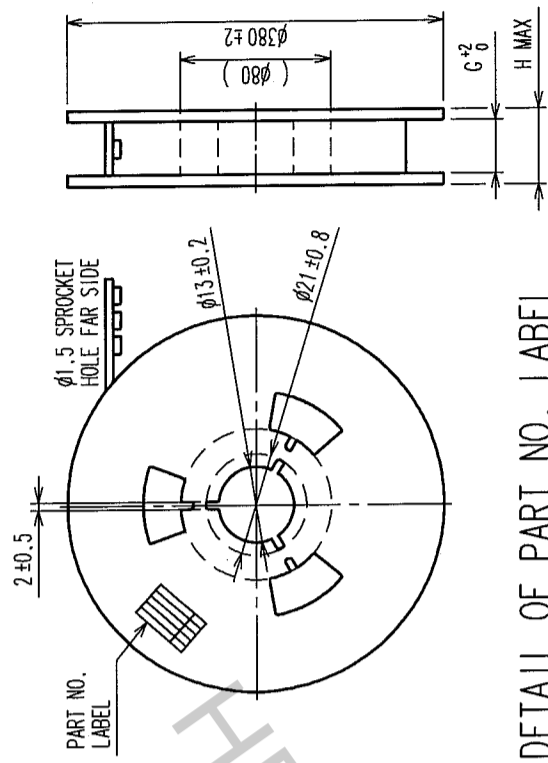
In case that the application demands a high level of reliability, such as automotive, please contact a company representative for further information.

REV. NO.	DESCRIPTION OF REVISIONS	BY	CHKD	DATE	COUNT	DESCRIPTION OF REVISIONS	BY	CHKD	DATE
1									
2									
3									
4									
5									
6									
7									
8									

B-B



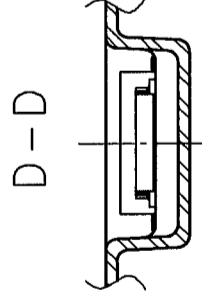
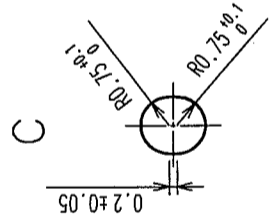
STYLE AND DIMENSION OF REEL (FREE)



DETAIL OF PART NO. LABEL

SUPPLIER	納入者	ヒロセ電機 (株)
QUANTITY	納入数量	1000個
PART NO.	品名	DF30FC-DS-0.4V(82)
CODE NO.	国番	CL684-**-**-82
DATE OF MANUFACTURE	生産月日	年月日

PART NO.	D	E	F	G	H	
DF30FC-80DS-0.4V(82)	CL684-1116-3-82	32	28.4	14.2	32.4	38.4
DF30FC-70DS-0.4V(82)	CL684-1115-0-82	24	-	11.5	24.4	30.4
DF30FC-60DS-0.4V(82)	CL684-1082-3-82	24	-	11.5	24.4	30.4
DF30FC-50DS-0.4V(82)	CL684-1114-8-82	24	-	11.5	24.4	30.4
DF30FC-40DS-0.4V(82)	CL684-1078-6-82	24	-	11.5	24.4	30.4
DF30FC-34DS-0.4V(82)	CL684-1113-5-82	16	-	7.5	16.4	22.4
DF30FC-30DS-0.4V(82)	CL684-1112-2-82	16	-	7.5	16.4	22.4
DF30FC-24DS-0.4V(82)	CL684-1111-0-82	16	-	7.5	16.4	22.4
DF30FC-22DS-0.4V(82)	CL684-1110-7-82	16	-	7.5	16.4	22.4
DF30FC-20DS-0.4V(82)	CL684-1109-8-82	16	-	7.5	16.4	22.4



CODE NO. (OLD)	
SCALE	5 : 1
UNITS	mm

DRAWING NO.	EDC3-303556-05	PART NO.	DF30FC-DS-0.4V(82)
DRAWN	T. NISHI	DESIGNED	K. Nishida
DATE	040825	CHECKED	K. Nishida
		APPROVED	J. Oka
		RELEASED	

TO	