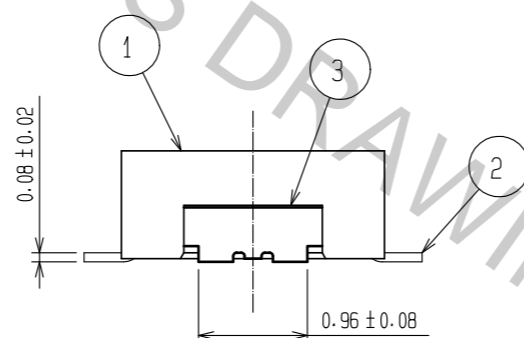
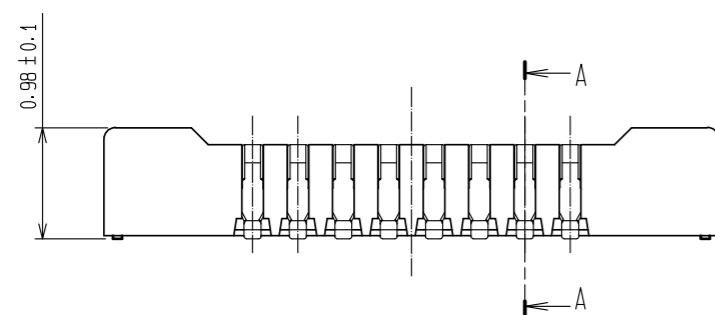
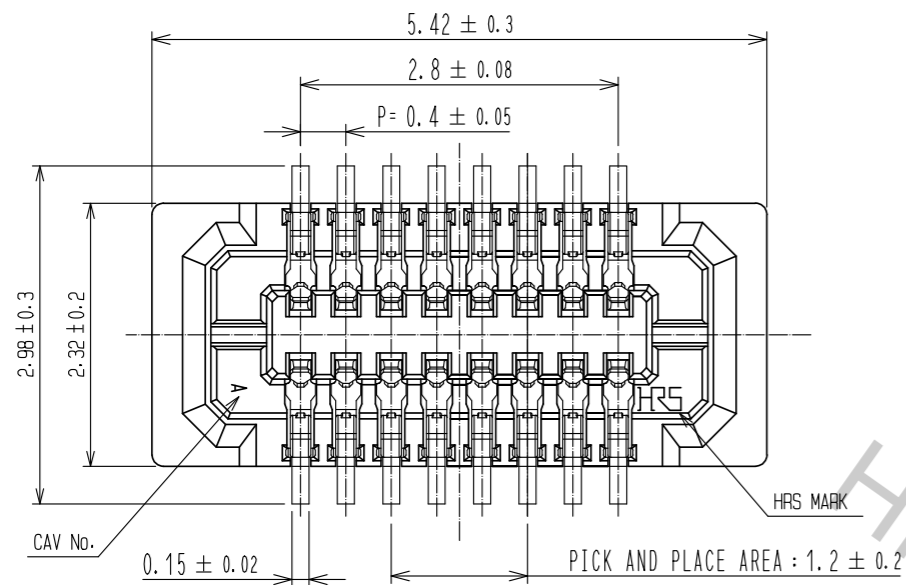
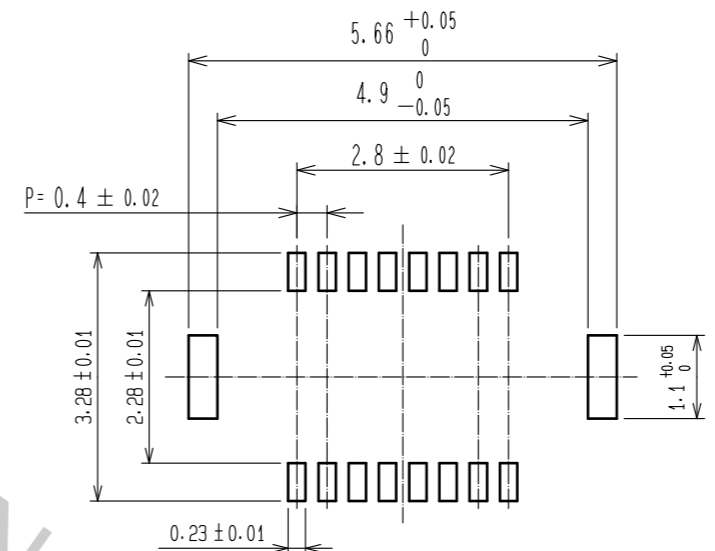


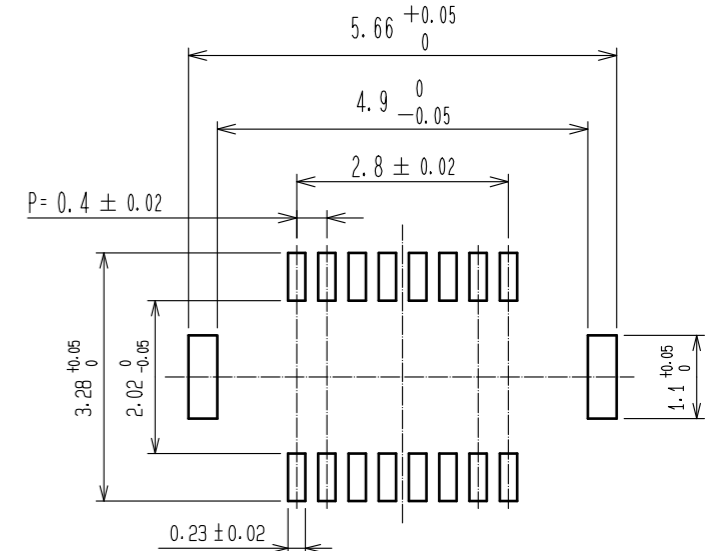
Oct.1.2018 Copyright 2018 HIROSE ELECTRIC CO., LTD. All Rights Reserved.  
 In case that the application demands a high level of reliability, such as automotive,  
 please contact a company representative for further information.



RECOMMENDED METAL MASK  
OPENING PATTERN

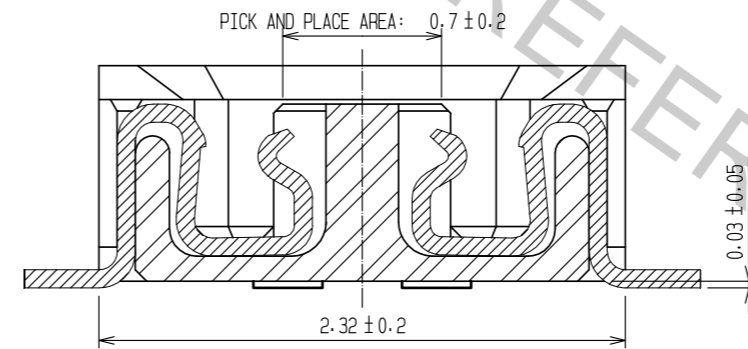


RECOMMENDED PATTERN

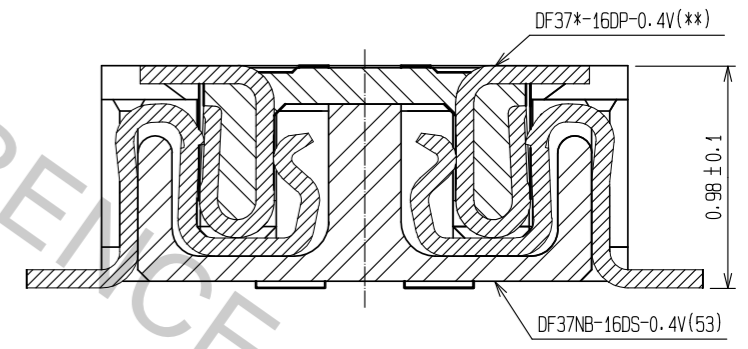


RECOMMENDED SOLDER PASTE: THICKNESS 120#m

A-A



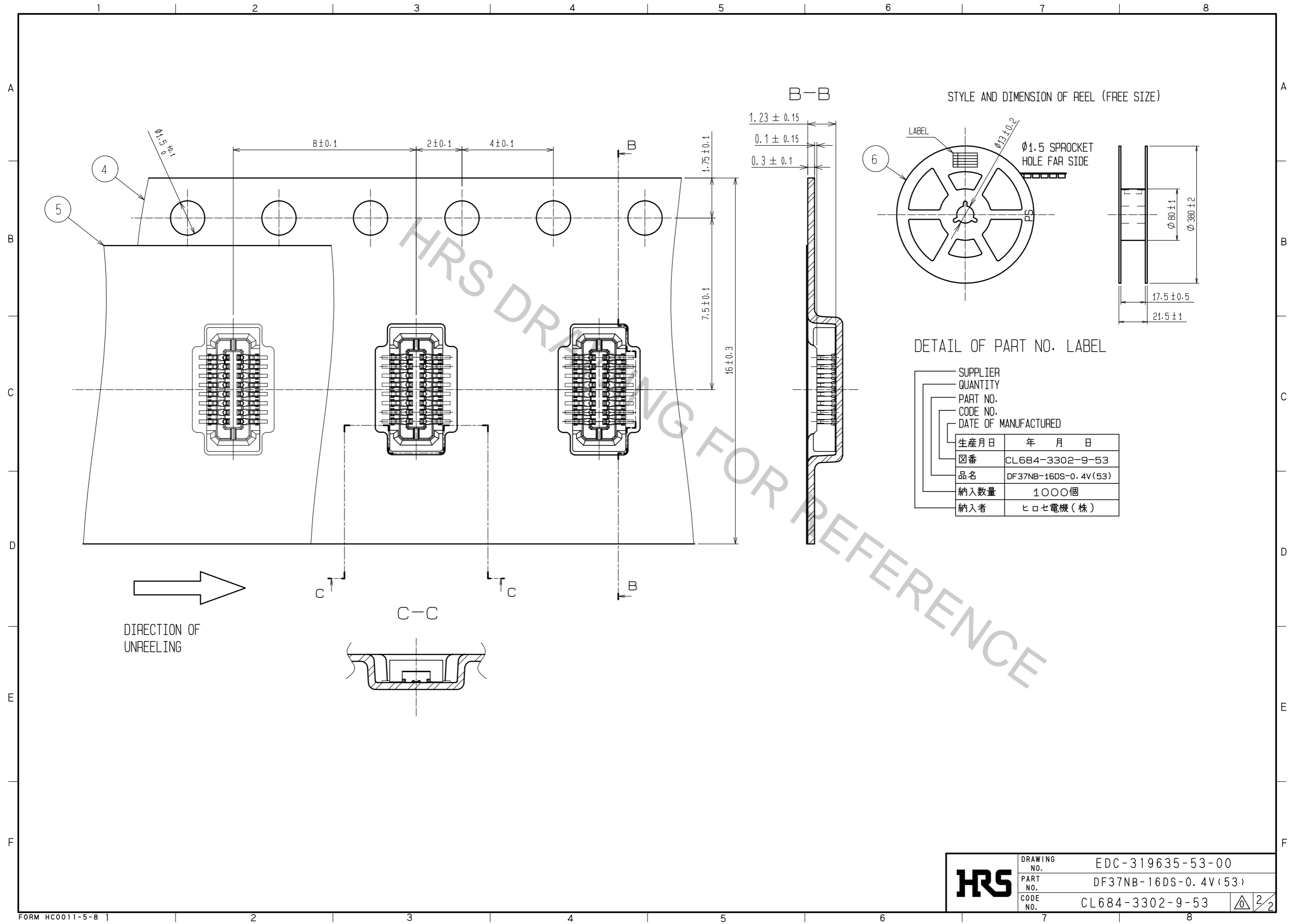
ENGAGEMENT FIGURE



- NOTE 1. ALL LEADS CO-PLANARITY SHALL BE 0.1 MAX.  
 2. PER REEL : 1000 CONNECTORS.  
 3. AT THE BEGINNING OF THE REEL, 100 mm AT MIN SHALL BE EMPTY POCKETS.  
 AT THE END OF THE REEL, 160 mm AT MIN SHALL BE EMPTY.  
 4. CONTACT PLATING SPECIFICATIONS.  
 CONTACT AREA : GOLD 0.05#m MIN.  
 SMT LEAD : GOLD 0.05#m MIN.  
 UNDERPLATING : NICKEL 1#m MIN.  
 (SURFACE : SEALING)  
 5. METAL HOLD DOWN PLATING SPECIFICATIONS.  
 MOUNTING AREA: GOLD 0.05#m MIN.  
 UNDERPLATING : NICKEL 1#m MIN.  
 6. PEEL FORCE OF COVER TAPE REFERS TO JIS C 0806.

3	PHOSPHOR BRONZE	5	6	PS	PLASTIC REEL (BLACK)			
2	PHOSPHOR BRONZE	4	5	POLYESTER	CLEAR(COVER TAPE)			
1	LCP	UL94V-0, BLACK	4	PS	CLEAR(EMBOSSED CARRIER TAPE)			
NO.	MATERIAL	FINISH, REMARKS	NO.	MATERIAL	FINISH, REMARKS			
UNITS	mm	SCALE	FREE	COUNT	DESCRIPTION OF REVISIONS	DESIGNED	CHECKED	DATE
HRS		HIROSE ELECTRIC CO., LTD.	APPROVED : MO. ISHIDA	17.01.19	DRAWING NO.	EDC-319635-53-00		
			CHECED : TS. MIYAZAKI	17.01.19	PART NO.	DF37NB-16DS-0.4V(53)		
			DESIGNED : YT. TAKAGI	17.01.19	CODE NO.	CL684-3302-9-53		
			DRAWN : SN. NUMAZAKI	17.01.18				

Oct.1.2018 Copyright 2018 HIROSE ELECTRIC CO., LTD. All Rights Reserved.  
 In case that the application demands a high level of reliability, such as automotive,  
 please contact a company representative for further information.



STYLE AND DIMENSION OF REEL (FREE SIZE)

DETAIL OF PART NO. LABEL

SUPPLIER	
QUANTITY	
PART NO.	
CODE NO.	
DATE OF MANUFACTURED	
生産月日	年 月 日
図番	CL684-3302-9-53
品名	DF37NB-16DS-0.4V(53)
納入数量	1000個
納入者	ヒロセ電機(株)

<b>HRS</b>	DRAWING NO.	EDC-319635-53-00
	PART NO.	DF37NB-16DS-0.4V(53)
	CODE NO.	CL684-3302-9-53
		2/2