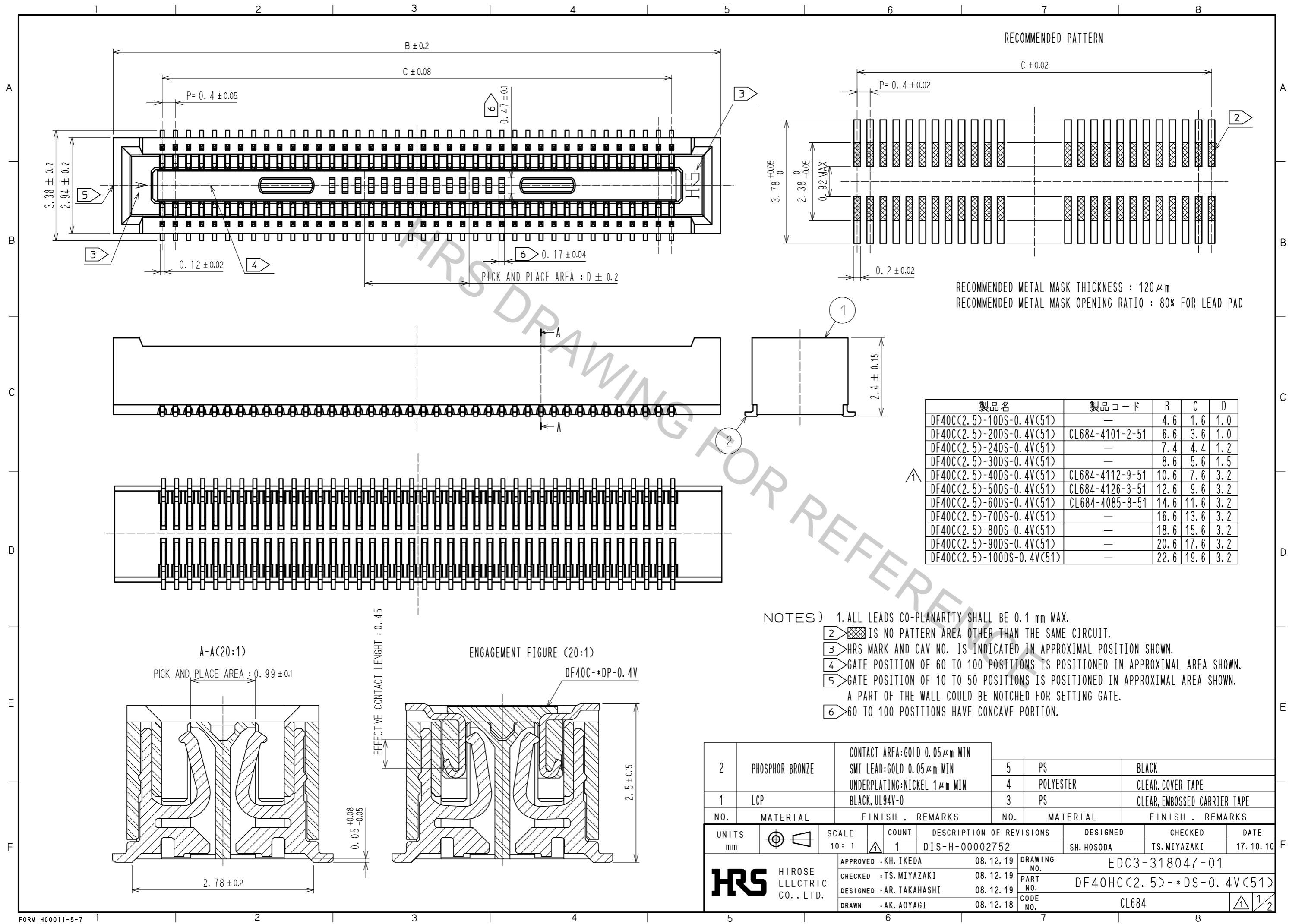


Oct.1.2018 Copyright 2018 HIROSE ELECTRIC CO., LTD. All Rights Reserved.
 In case that the application demands a high level of reliability, such as automotive,
 please contact a company representative for further information.



製品名	製品コード	B	C	D
DF40C(2.5)-10DS-0.4V(51)	—	4.6	1.6	1.0
DF40C(2.5)-20DS-0.4V(51)	CL684-4101-2-51	6.6	3.6	1.0
DF40C(2.5)-24DS-0.4V(51)	—	7.4	4.4	1.2
DF40C(2.5)-30DS-0.4V(51)	—	8.6	5.6	1.5
DF40C(2.5)-40DS-0.4V(51)	CL684-4112-9-51	10.6	7.6	3.2
DF40C(2.5)-50DS-0.4V(51)	CL684-4126-3-51	12.6	9.6	3.2
DF40C(2.5)-60DS-0.4V(51)	CL684-4085-8-51	14.6	11.6	3.2
DF40C(2.5)-70DS-0.4V(51)	—	16.6	13.6	3.2
DF40C(2.5)-80DS-0.4V(51)	—	18.6	15.6	3.2
DF40C(2.5)-90DS-0.4V(51)	—	20.6	17.6	3.2
DF40C(2.5)-100DS-0.4V(51)	—	22.6	19.6	3.2

- NOTES) 1. ALL LEADS CO-PLANARITY SHALL BE 0.1 mm MAX.
 2. IS NO PATTERN AREA OTHER THAN THE SAME CIRCUIT.
 3. HRS MARK AND CAV NO. IS INDICATED IN APPROXIMAL POSITION SHOWN.
 4. GATE POSITION OF 60 TO 100 POSITIONS IS POSITIONED IN APPROXIMAL AREA SHOWN.
 5. GATE POSITION OF 10 TO 50 POSITIONS IS POSITIONED IN APPROXIMAL AREA SHOWN.
 A PART OF THE WALL COULD BE NOTCHED FOR SETTING GATE.
 6. 60 TO 100 POSITIONS HAVE CONCAVE PORTION.

NO.	MATERIAL	FINISH	REMARKS	NO.	MATERIAL	FINISH	REMARKS
2	PHOSPHOR BRONZE	CONTACT AREA:GOLD $0.05 \mu\text{m}$ MIN SMT LEAD:GOLD $0.05 \mu\text{m}$ MIN UNDERPLATING:NICKEL $1 \mu\text{m}$ MIN		5	PS	BLACK	
1	LCP	BLACK, UL94V-0		4	POLYESTER	CLEAR, COVER TAPE	
				3	PS	CLEAR, EMBOSSED CARRIER TAPE	

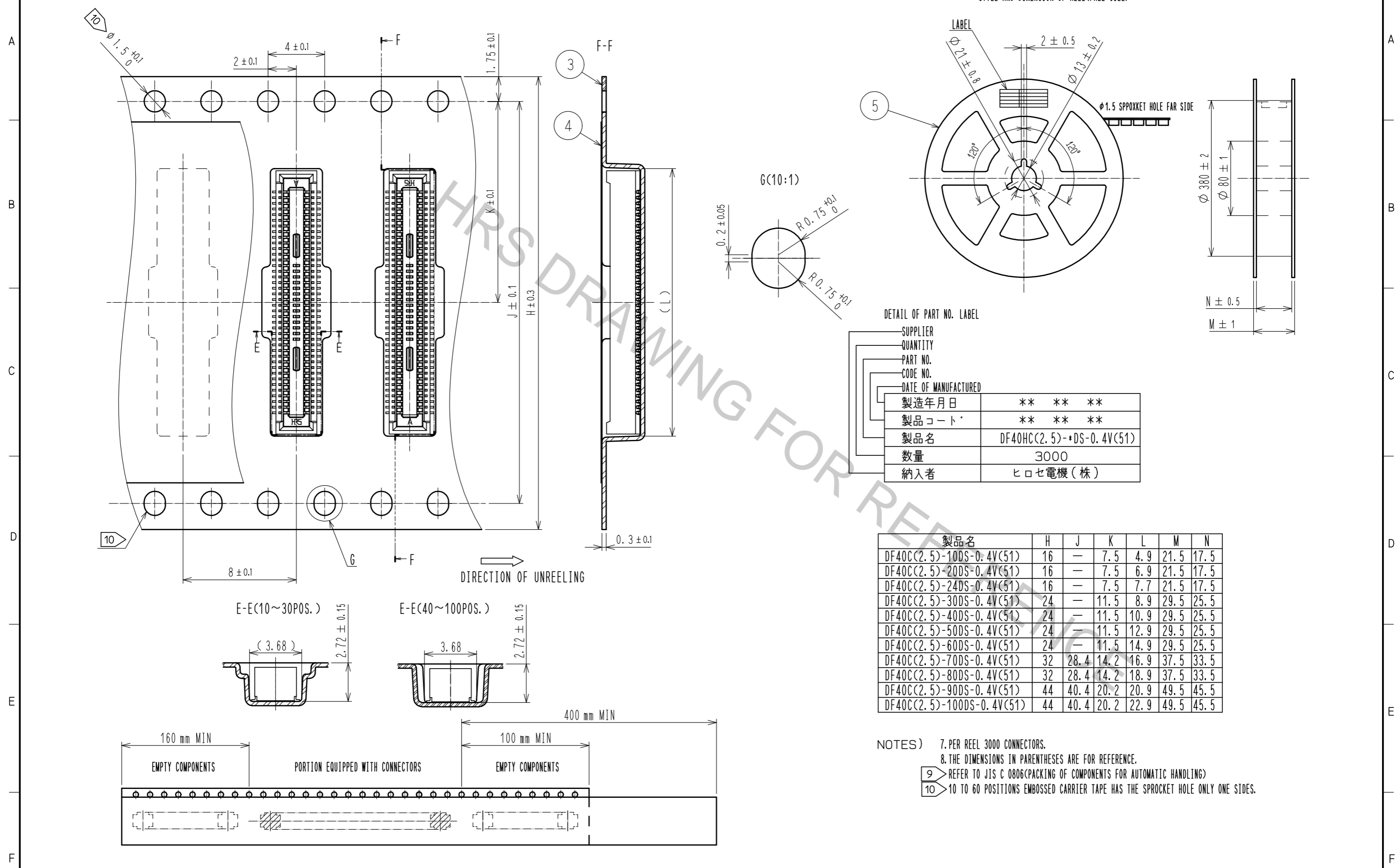
UNITS	SCALE	COUNT	DESCRIPTION OF REVISIONS	DESIGNED	CHECKED	DATE
mm	10:1	1	DIS-H-00002752	SH. HOSODA	TS. MIYAZAKI	17.10.10

APPROVED	CHECKED	DESIGNED	DRAWN	DRAWING NO.	PART NO.	CODE NO.
KH. IKEDA	TS. MIYAZAKI	AR. TAKAHASHI	AK. AOYAGI	EDC3-318047-01	DF40HC(2.5)-*DS-0.4V(51)	CL684

Oct.1.2018 Copyright 2018 HIROSE ELECTRIC CO., LTD. All Rights Reserved.
 In case that the application demands a high level of reliability, such as automotive,
 please contact a company representative for further information.

EMBOSSED CARRIER TAPE PACKAGING (5:1)

STYLE AND DIMENSION OF REEL(FREE SIZE)



DETAIL OF PART NO. LABEL

SUPPLIER	
QUANTITY	
PART NO.	
CODE NO.	
DATE OF MANUFACTURED	
製造年月日	** ** *
製品コート	** ** *
製品名	DF40HC(2.5)-*DS-0.4V(51)
数量	3000
納入者	ヒロセ電機(株)

製品名	H	J	K	L	M	N
DF40C(2.5)-10DS-0.4V(51)	16	—	7.5	4.9	21.5	17.5
DF40C(2.5)-20DS-0.4V(51)	16	—	7.5	6.9	21.5	17.5
DF40C(2.5)-24DS-0.4V(51)	16	—	7.5	7.7	21.5	17.5
DF40C(2.5)-30DS-0.4V(51)	24	—	11.5	8.9	29.5	25.5
DF40C(2.5)-40DS-0.4V(51)	24	—	11.5	10.9	29.5	25.5
DF40C(2.5)-50DS-0.4V(51)	24	—	11.5	12.9	29.5	25.5
DF40C(2.5)-60DS-0.4V(51)	24	—	11.5	14.9	29.5	25.5
DF40C(2.5)-70DS-0.4V(51)	32	28.4	14.2	16.9	37.5	33.5
DF40C(2.5)-80DS-0.4V(51)	32	28.4	14.2	18.9	37.5	33.5
DF40C(2.5)-90DS-0.4V(51)	44	40.4	20.2	20.9	49.5	45.5
DF40C(2.5)-100DS-0.4V(51)	44	40.4	20.2	22.9	49.5	45.5

- NOTES) 7. PER REEL 3000 CONNECTORS.
 8. THE DIMENSIONS IN PARENTHESES ARE FOR REFERENCE.
 9 REFER TO JIS C 0806(PACKING OF COMPONENTS FOR AUTOMATIC HANDLING)
 10 10 TO 60 POSITIONS EMBOSSED CARRIER TAPE HAS THE SPROCKET HOLE ONLY ONE SIDES.

HRS	DRAWING NO.	EDC3-318047-01
	PART NO.	DF40HC(2.5)-*DS-0.4V(51)
	CODE NO.	CL684