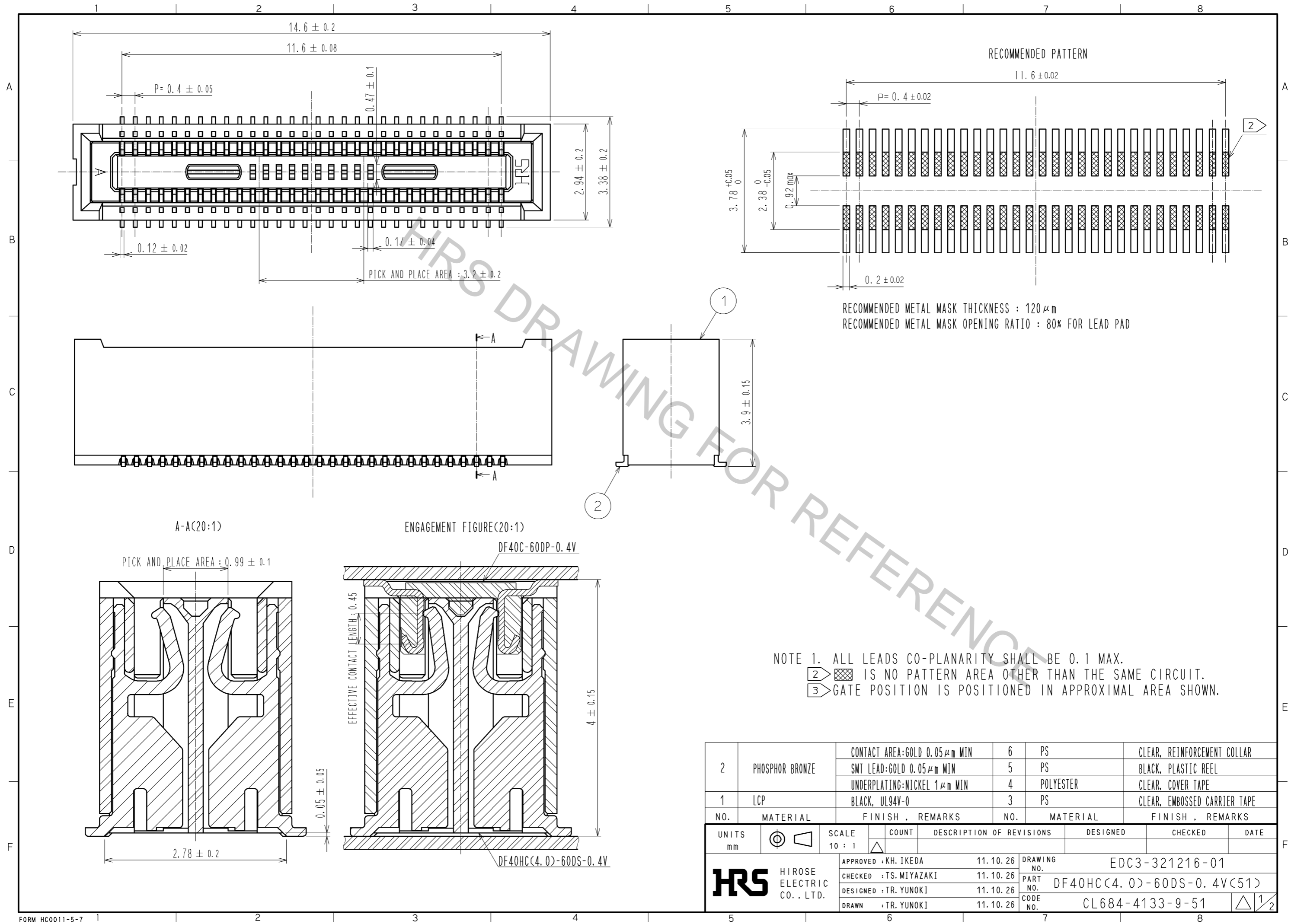


Oct.1.2018 Copyright 2018 HIROSE ELECTRIC CO., LTD. All Rights Reserved.
 In case that the application demands a high level of reliability, such as automotive,
 please contact a company representative for further information.



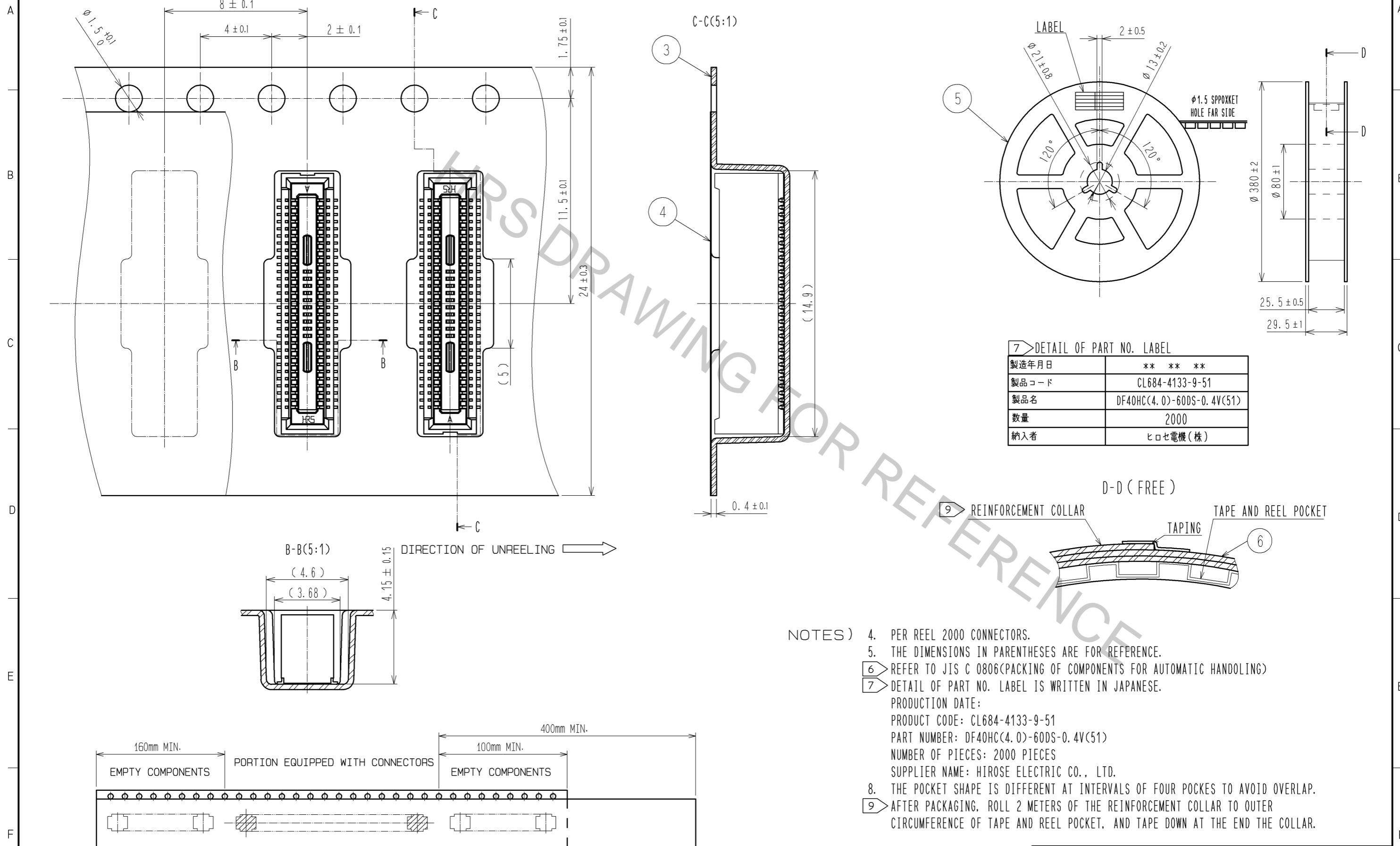
NOTE 1. ALL LEADS CO-PLANARITY SHALL BE 0.1 MAX.
 2 IS NO PATTERN AREA OTHER THAN THE SAME CIRCUIT.
 3 GATE POSITION IS POSITIONED IN APPROXIMAL AREA SHOWN.

2	PHOSPHOR BRONZE	CONTACT AREA:GOLD $0.05 \mu\text{m}$ MIN	6	PS	CLEAR, REINFORCEMENT COLLAR		
		SMT LEAD:GOLD $0.05 \mu\text{m}$ MIN	5	PS	BLACK, PLASTIC REEL		
		UNDERPLATING:NICKEL $1 \mu\text{m}$ MIN	4	POLYESTER	CLEAR, COVER TAPE		
1	LCP	BLACK, UL94V-0	3	PS	CLEAR, EMBOSSSED CARRIER TAPE		
NO.	MATERIAL	FINISH, REMARKS	NO.	MATERIAL	FINISH, REMARKS		
UNITS		SCALE	COUNT	DESCRIPTION OF REVISIONS	DESIGNED	CHECKED	DATE
mm		10 : 1					
APPROVED : KH. IKEDA			11.10.26	DRAWING NO. EDC3-321216-01			
CHECKED : TS. MIYAZAKI			11.10.26	PART NO. DF40HC(4.0)-60DS-0.4V(51)			
DESIGNED : TR. YUNOKI			11.10.26	CODE NO. CL684-4133-9-51			
DRAWN : TR. YUNOKI			11.10.26				

Oct.1.2018 Copyright 2018 HIROSE ELECTRIC CO., LTD. All Rights Reserved.
 In case that the application demands a high level of reliability, such as automotive,
 please contact a company representative for further information.

SCALE (5:1)

STYLE AND DIMENSION OF REEL (FREE SIZE)



7> DETAIL OF PART NO. LABEL

製造年月日	** ** *
製品コード	CL684-4133-9-51
製品名	DF40HC(4.0)-60DS-0.4V(51)
数量	2000
納入者	ヒロセ電機(株)

- NOTES)
- PER REEL 2000 CONNECTORS.
 - THE DIMENSIONS IN PARENTHESSES ARE FOR REFERENCE.
 - REFER TO JIS C 0806(PACKING OF COMPONENTS FOR AUTOMATIC HANDLING)
 - DETAIL OF PART NO. LABEL IS WRITTEN IN JAPANESE.
 PRODUCTION DATE:
 PRODUCT CODE: CL684-4133-9-51
 PART NUMBER: DF40HC(4.0)-60DS-0.4V(51)
 NUMBER OF PIECES: 2000 PIECES
 SUPPLIER NAME: HIROSE ELECTRIC CO., LTD.
 - THE POCKET SHAPE IS DIFFERENT AT INTERVALS OF FOUR POKCES TO AVOID OVERLAP.
 - AFTER PACKAGING, ROLL 2 METERS OF THE REINFORCEMENT COLLAR TO OUTER CIRCUMFERENCE OF TAPE AND REEL POCKET, AND TAPE DOWN AT THE END THE COLLAR.

HRS	DRAWING NO.	EDC3-321216-01
	PART NO.	DF40HC(4.0)-60DS-0.4V(51)
	CODE NO.	CL684-4133-9-51
		\triangle 2/2