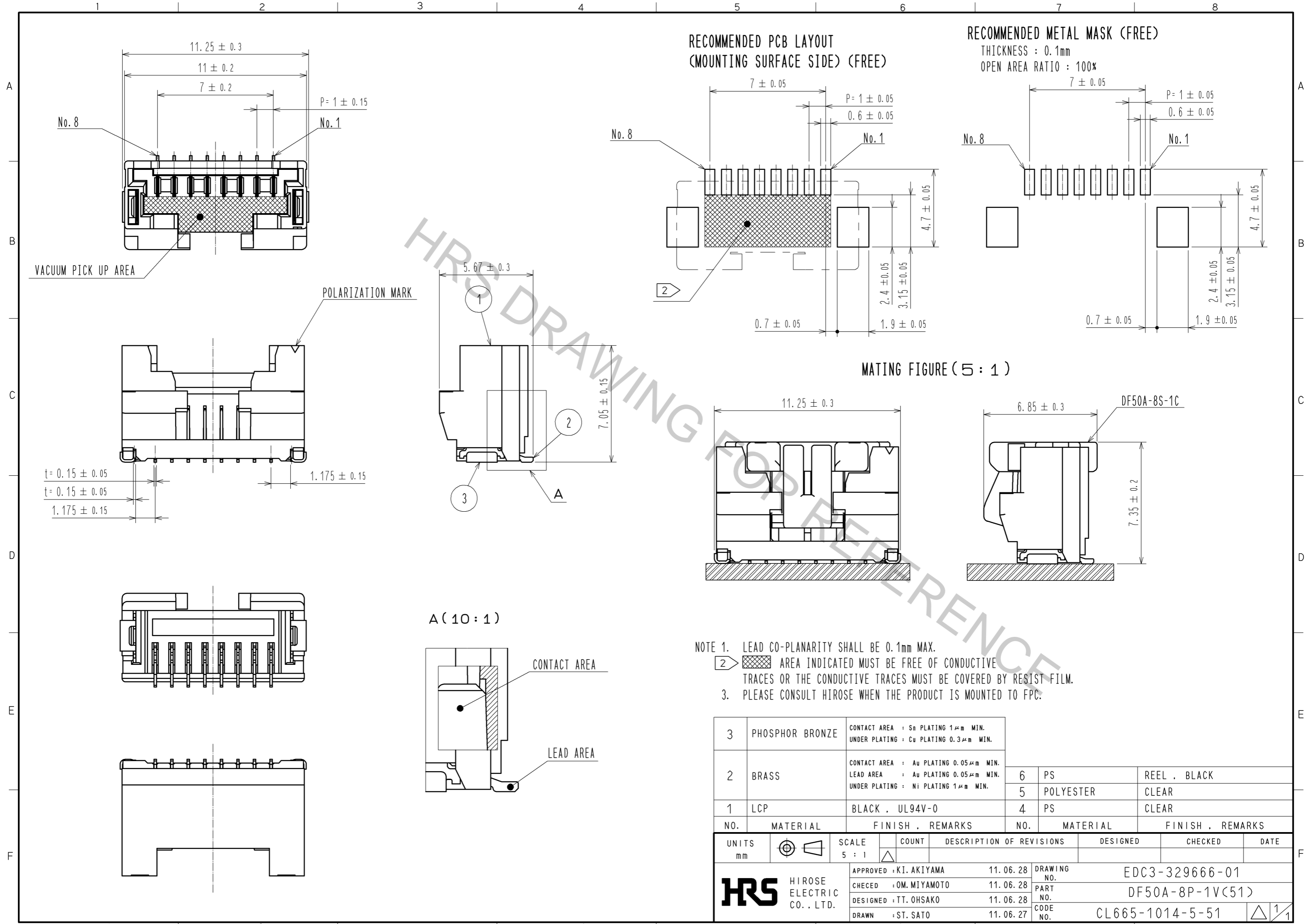
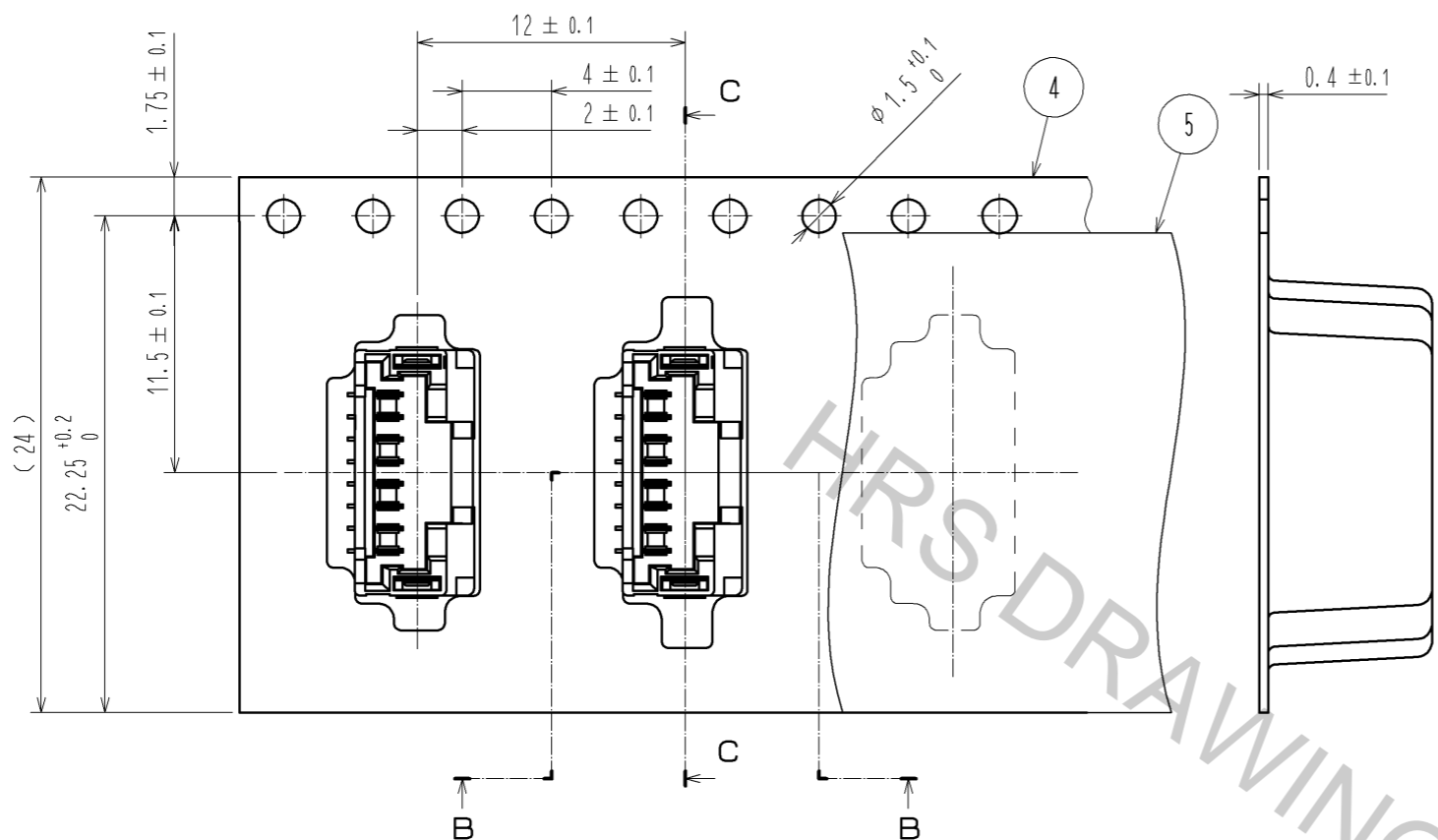


Oct.1.2018 Copyright 2018 HIROSE ELECTRIC CO., LTD. All Rights Reserved.
 In case that the application demands a high level of reliability, such as automotive,
 please contact a company representative for further information.

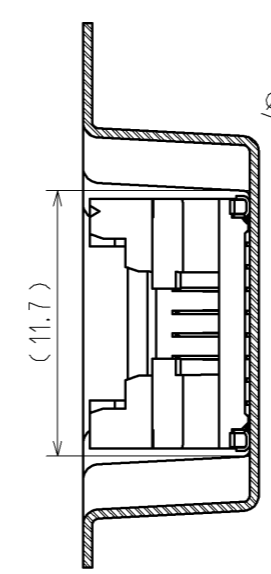


NOTE 1. LEAD CO-PLANARITY SHALL BE 0.1mm MAX.
 2. AREA INDICATED MUST BE FREE OF CONDUCTIVE TRACES OR THE CONDUCTIVE TRACES MUST BE COVERED BY RESIST FILM.
 3. PLEASE CONSULT HIROSE WHEN THE PRODUCT IS MOUNTED TO FPC.

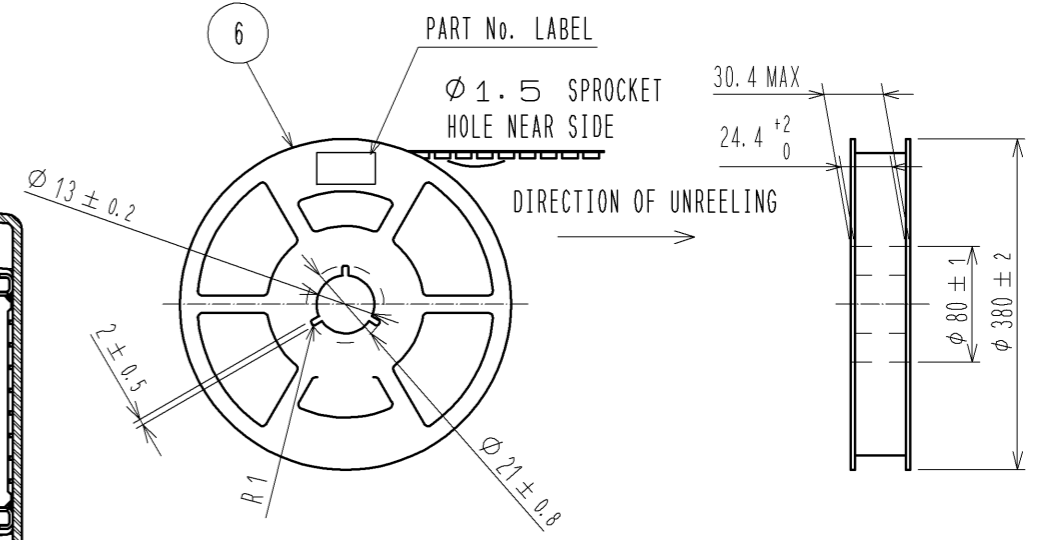
3	PHOSPHOR BRONZE	CONTACT AREA : Sn PLATING 1μm MIN. UNDER PLATING : Cu PLATING 0.3μm MIN.	6	PS	REEL . BLACK
2	BRASS	CONTACT AREA : Au PLATING 0.05μm MIN. LEAD AREA : Au PLATING 0.05μm MIN. UNDER PLATING : Ni PLATING 1μm MIN.	5	POLYESTER	CLEAR
1	LCP	BLACK , UL94V-0	4	PS	CLEAR
NO.	MATERIAL	FINISH . REMARKS	NO.	MATERIAL	FINISH . REMARKS
UNITS mm		SCALE 5 : 1	COUNT		DESCRIPTION OF REVISIONS
DESIGNED		DESIGNED	DESIGNED	DESIGNED	DATE
CHECKED		CHECKED	CHECKED	CHECKED	DATE
DRAWN		DRAWN	DRAWN	DRAWN	DATE
APPROVED : KI. AKIYAMA		11.06.28	DRAWING NO.		EDC3-329666-01
CHECED : OM. MIYAMOTO		11.06.28	PART NO.		DF50A-8P-1V(51)
DESIGNED : TT. OHSAKO		11.06.28	CODE NO.		CL665-1014-5-51
DRAWN : ST. SATO		11.06.27			



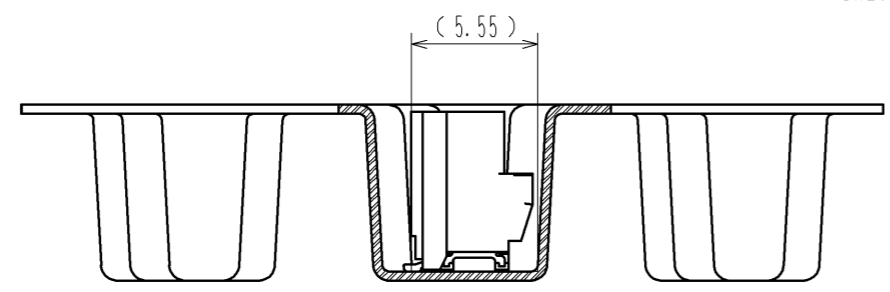
C-C (FREE)



STYLE AND DIMENSION OF REEL (FREE)



B-B (FREE)



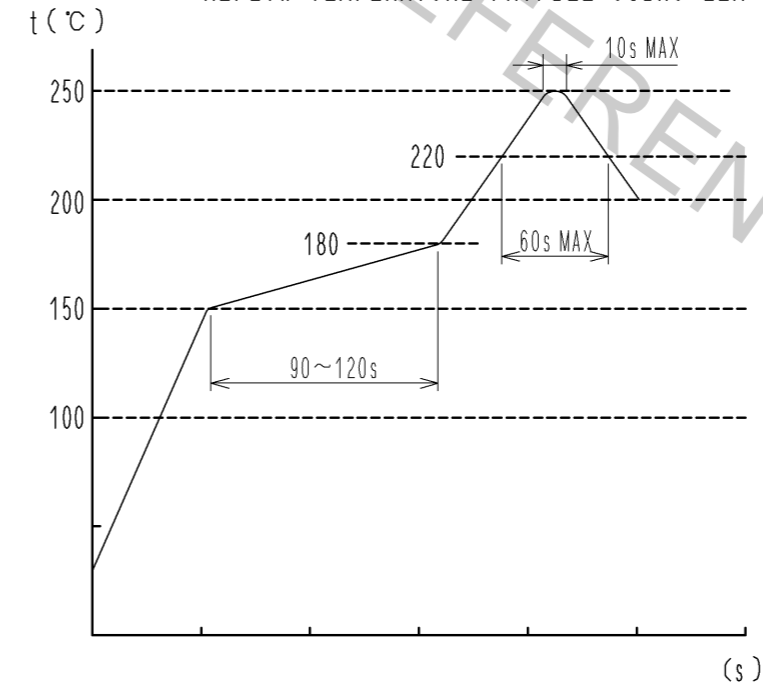
DIRECTION OF UNREELING

DETAIL OF PART No. LABEL

生産月日	年 月 日
図 番	CL665-1014-5-51
品 名	DF50A-8P-1V(51)
納入数量	1000 K0
納入者	ヒロセ電機(株)

- SUPPLIER
- QUANTITY
- PART No.
- CODE No.
- DATE OF MANUFACTURED

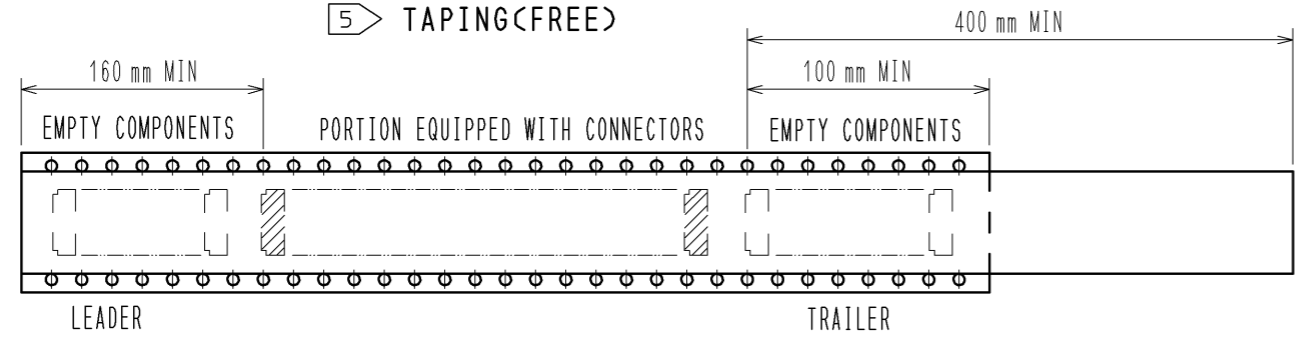
REFLOW TEMPERATURE PROFILE USING LEAD-FREE SOLDER PASTE (REFERENCE)



NUMBER OF REFLOW CYCLES 2 CYCLES MAX.
 THE TEMPERATURE IS MEASURED IN THE TERMINAL LEAD PART.

ADDITIONAL FACTORS, SUCH AS SOLDER PASTE TYPE,
 PCB SIZE AND OTHER MOUNTED COMPONENTS COULD AFFECT
 THE PROFILE. THEREFORE, A THOROUGH EVALUATION OF
 MOUNTING CONDITION IS REQUIRED PRIOR TO PRODUCTION.
 TEMPERATURE IS MEASURED AT CONTACT LEAD.

5 TAPING (FREE)



NOTE 4. 1 REEL : 1000 CONNECTORS
 5 REEL TO JIS C 0806. (PACKAGING OF COMPONENTS FOR AUTOMATIC HANDLING)
 6. THE DIMENSIONS IN PARENTHESES ARE FOR REFERENCE.

HRS	DRAWING NO.	EDC3-329666-01
	PART NO.	DF50A-8P-1V(51)
	CODE NO.	CL665-1014-5-51
		△ 2/1