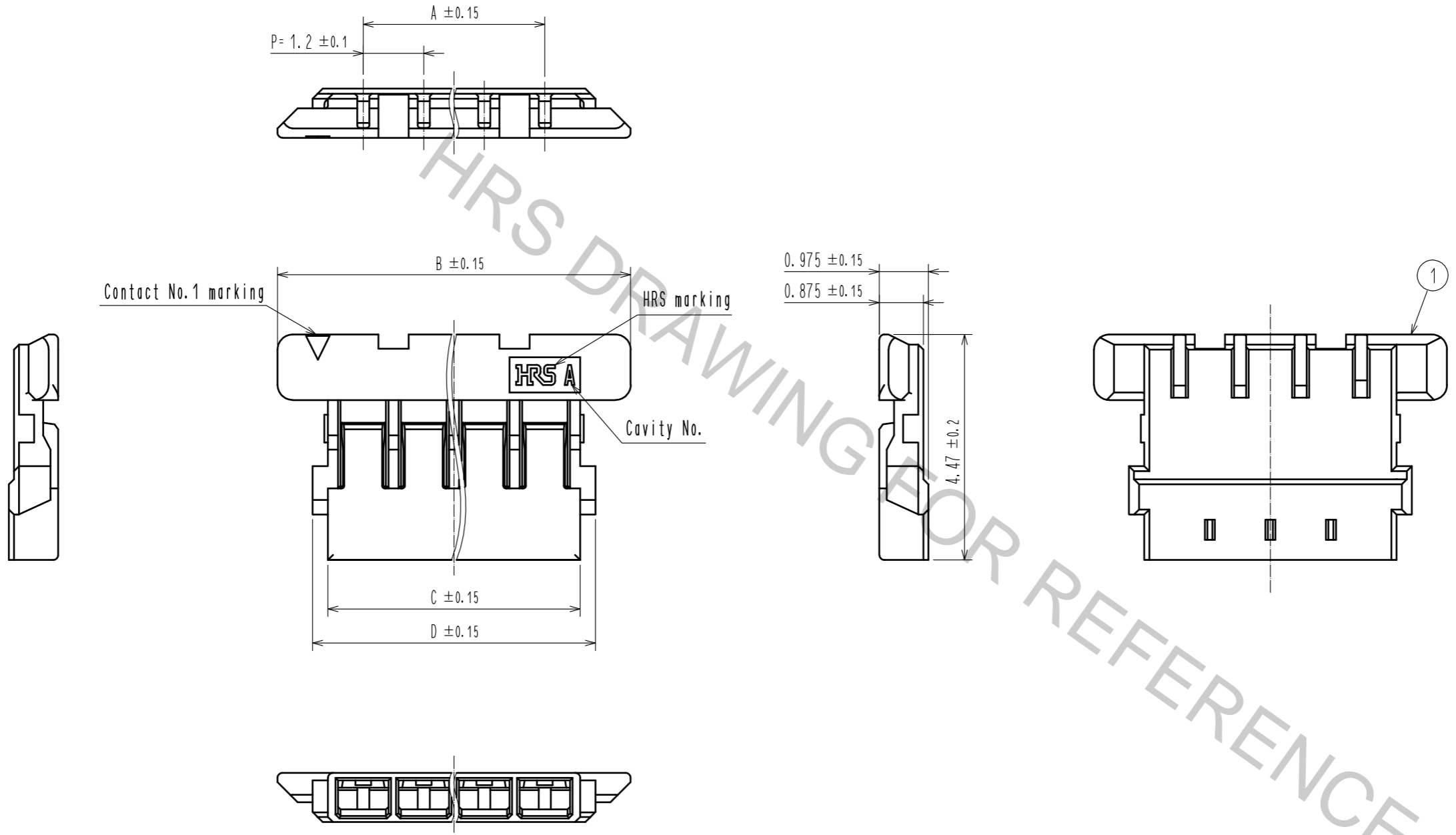


Oct.1.2018 Copyright 2018 HIROSE ELECTRIC CO., LTD. All Rights Reserved.
 In case that the application demands a high level of reliability, such as automotive,
 please contact a company representative for further information.



CODE No.	PART No.	NUMBER OF CONTACTS	A	B	C	D
CL666-1006-0-00	DF58-2S-1.2C	2	1.2	4.6	2.6	3.21
CL666-1007-0-00	DF58-3S-1.2C	3	2.4	5.8	3.8	4.41
CL666-1008-0-00	DF58-4S-1.2C	4	3.6	7.0	5.0	5.61
CL666-1010-0-00	DF58-6S-1.2C	6	6.0	9.4	7.4	8.01

NO.	MATERIAL	FINISH . REMARKS	NO.	MATERIAL	FINISH . REMARKS
1	LCP			UL94V-0, Natural(Beige)	

UNITS	SCALE	COUNT	DESCRIPTION OF REVISIONS	DESIGNED	CHECKED	DATE
mm	20:1	△				

HRS HIROSE ELECTRIC CO., LTD.	APPROVED : HS. OKAWA	16.06.22	DRAWING NO.	EDC-371176-00-00
	CHECKED : YN. TAKASHITA	16.06.21	PART NO.	DF58-*S-1.2C
	DESIGNED : TH. YOSHIZAWA	16.06.21	CODE NO.	CL666-
	DRAWN : TH. YOSHIZAWA	16.06.21		