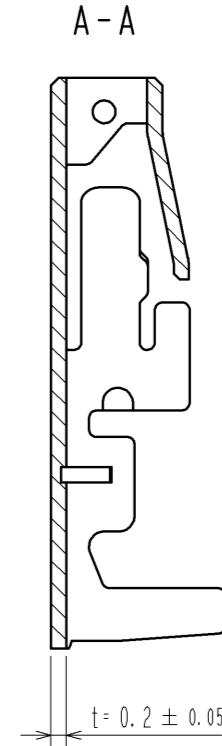
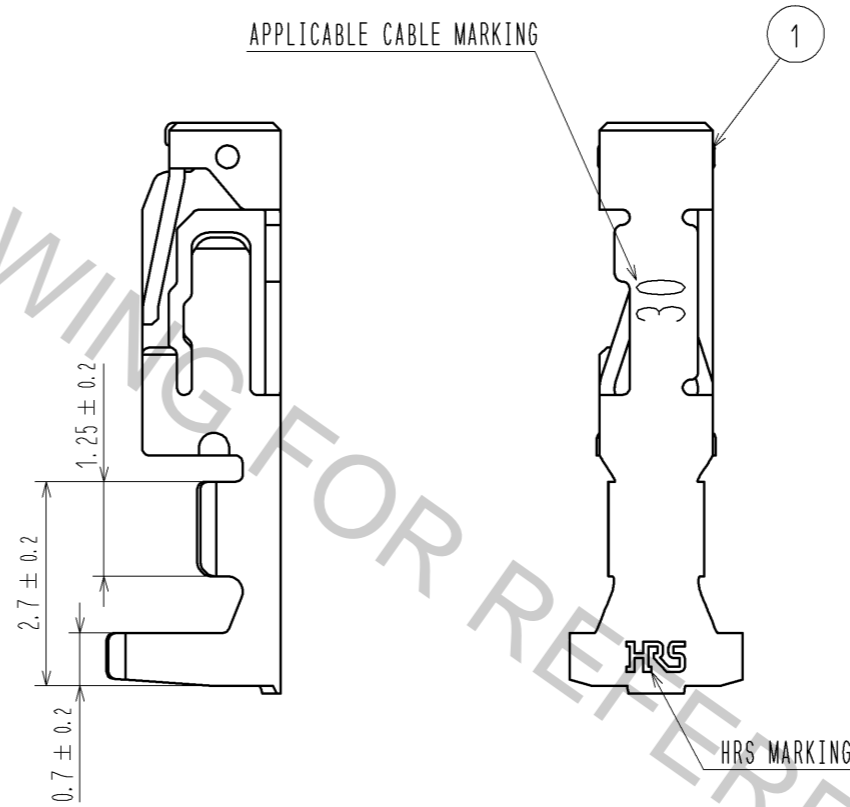
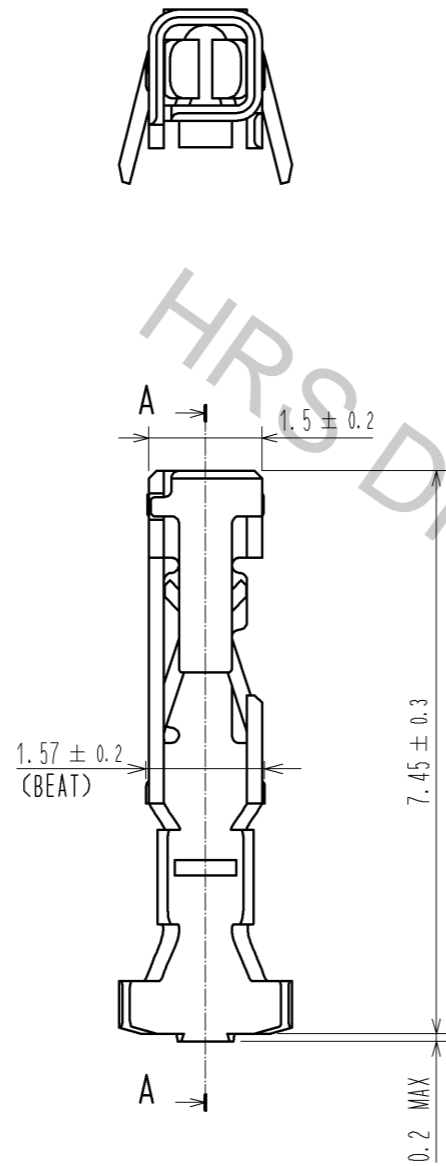
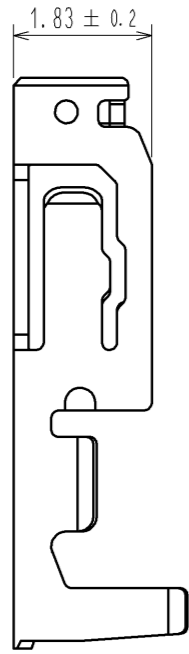


Oct.1.2018 Copyright 2018 HIROSE ELECTRIC CO., LTD. All Rights Reserved.  
 In case that the application demands a high level of reliability, such as automotive,  
 please contact a company representative for further information.



NOTE 1. 1PACK:100 CONTACTS

NO.	MATERIAL	FINISH . REMARKS	NO.	MATERIAL	FINISH . REMARKS		
1	PHOSPHOR BRONZE	TIN PLATING 1μm MIN					
UNITS mm		SCALE 10:1	COUNT 	DESCRIPTION OF REVISIONS	DESIGNED	CHECKED	DATE
<b>HRS</b>	HIROSE ELECTRIC CO., LTD.	APPROVED : KI. AKIYAMA	14. 04. 26	DRAWING NO.	EDC3-352026-00		
		CHECED : KI. AKIYAMA	14. 04. 26	PART NO.	DF62-30SC		
		DESIGNED : TS. KUMAZAWA	14. 04. 25	CODE NO.	CL544-0574-5-00		
		DRAWN : TS. KUMAZAWA	14. 04. 25				