

Oct.1.2018 Copyright 2018 HIROSE ELECTRIC CO., LTD. All Rights Reserved.
 In case that the application demands a high level of reliability, such as automotive,
 please contact a company representative for further information.

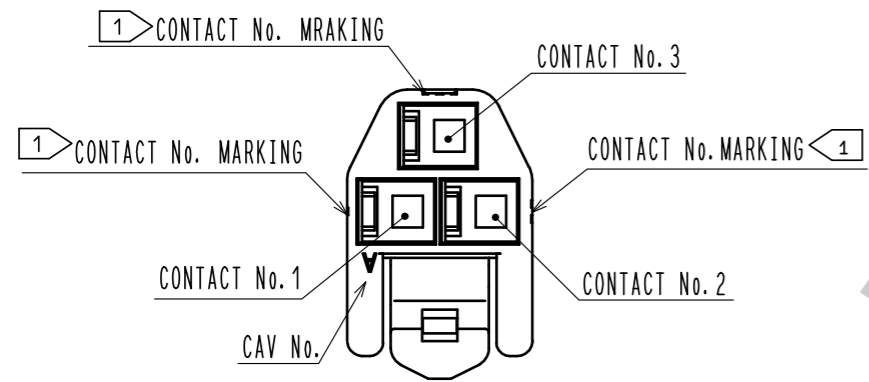
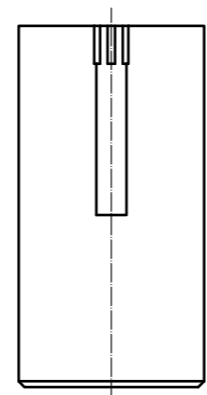
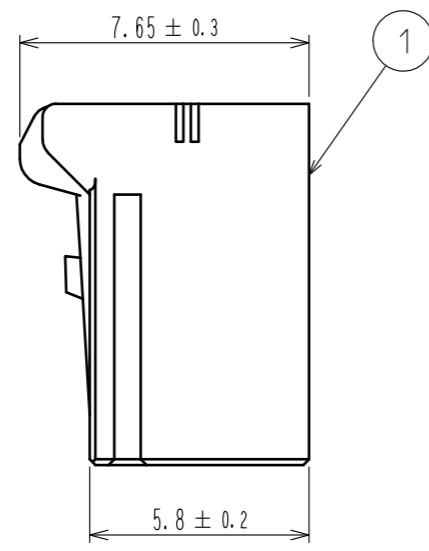
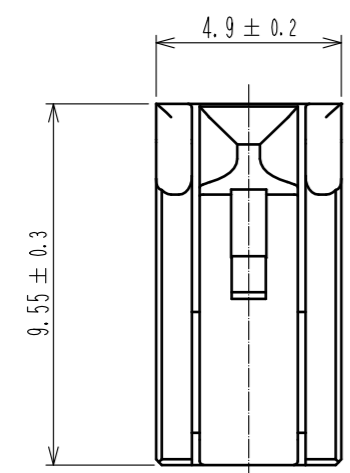
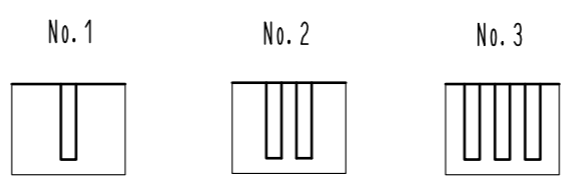
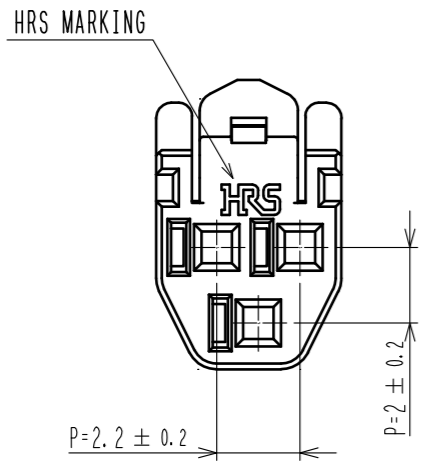
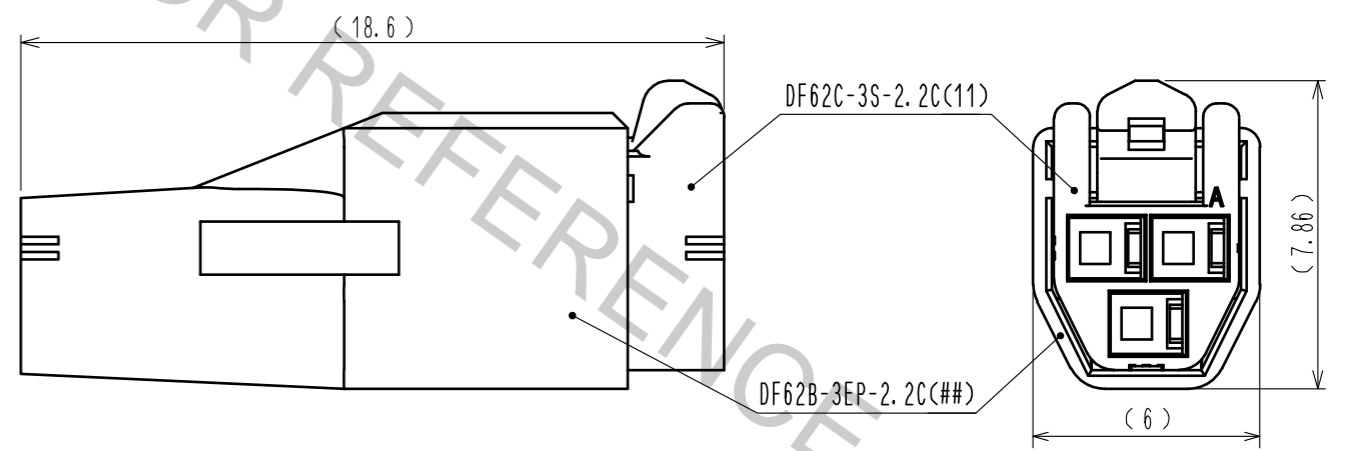


FIGURE-1 CONTACT No. MARKING (10:1)



MATING FIGURE



NOTE. 1. MARKINGS AT THE INDICATED POSITIONS IS CONTACT NO. MARKING. AND SHAPES ARE SHOWN IN FIGURE-1.
 2. PER PACK : 100 PIECES.
 3. THE DIMENSIONS IN PARENTHESIS ARE FOR REFERENCE.

NO.	MATERIAL	FINISH . REMARKS	NO.	MATERIAL	FINISH . REMARKS			
			1	PBT	UL94V-0(BLACK)			
UNITS	SCALE	COUNT	DESCRIPTION OF REVISIONS			DESIGNED	CHECKED	DATE
mm	5 : 1	△						
HRS HIROSE ELECTRIC CO., LTD.			APPROVED : KI. AKIYAMA	13.09.17	DRAWING NO.	EDC3-351971-01		
			CHECED : OM. MIYAMOTO	13.09.13	PART NO.	DF62C-3S-2.2C(11)		
			DESIGNED : TH. YOSHIZAWA	13.09.13	CODE NO.	CL544-0566-7-11		
			DRAWN : MI. SAKIMURA	13.09.09				