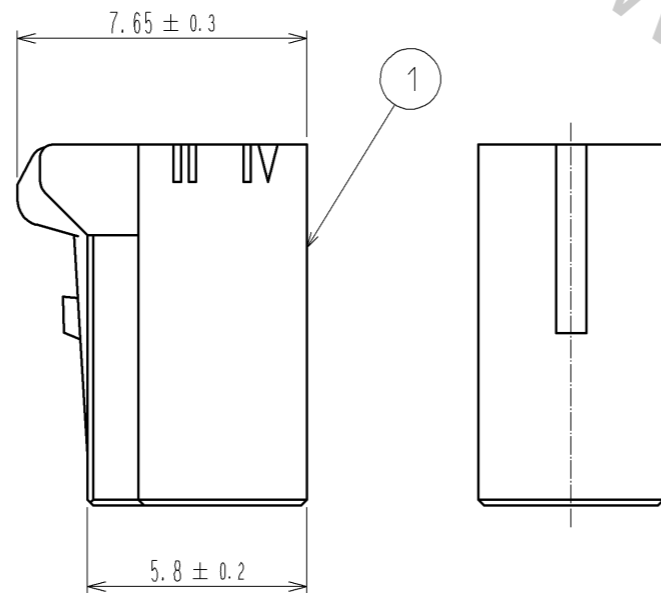
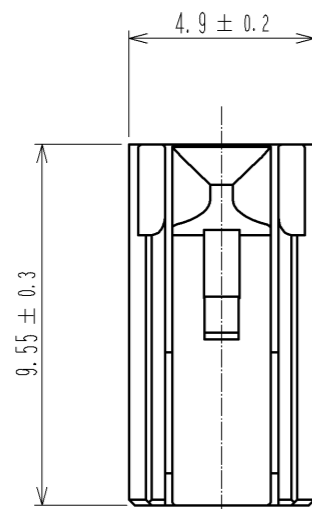
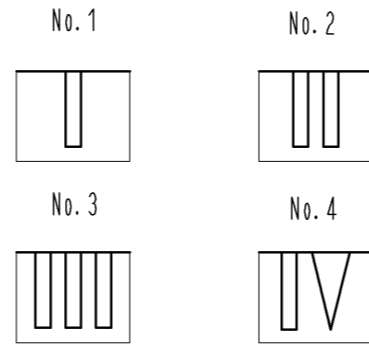
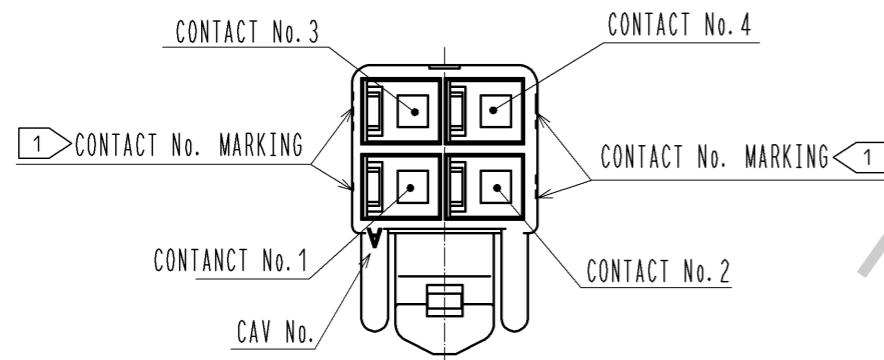
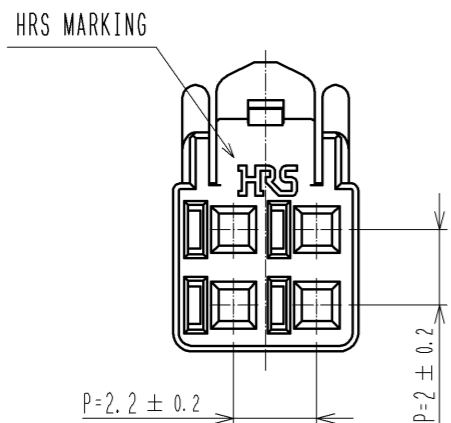
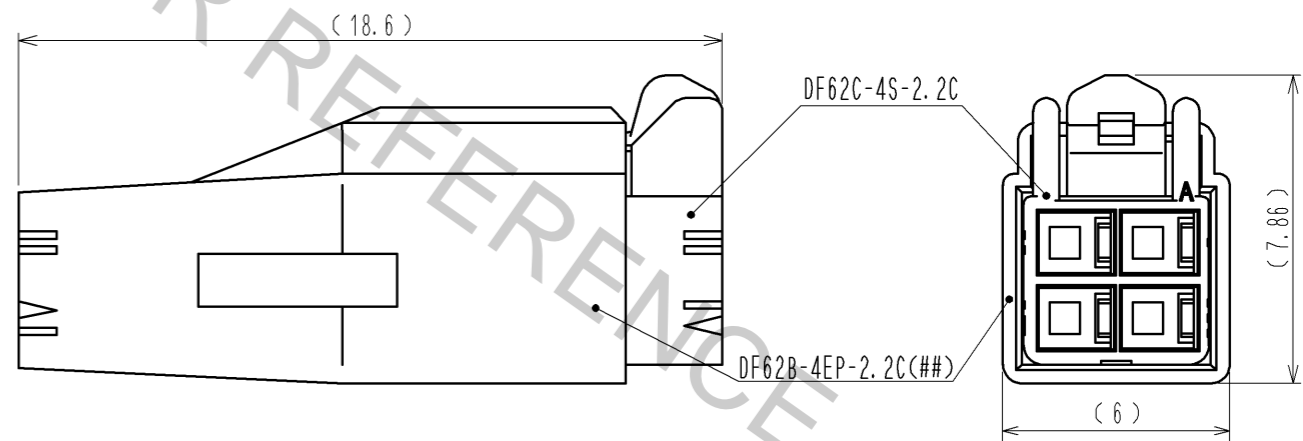


1> FIGURE-1 CONTACT No. MARKING (10:1)



MATING FIGURE



NOTE. 1> MARKINGS AT THE INDICATED POSITIONS ARE CONTACT NO. MARKING. AND SHAPES ARE SHOWN IN FIGURE-1.  
 2. PER PACK : 100 PIECES.  
 3. THE DIMENSIONS IN PARENTHESIS ARE FOR REFERENCE.

|             |  |                                 |  |                         |  |          |     |                 |
|-------------|--|---------------------------------|--|-------------------------|--|----------|-----|-----------------|
| NO.         |  | MATERIAL                        |  | FINISH . REMARKS        |  | 1        | PBT | UL94V-0 (WHITE) |
| UNITS<br>mm |  | SCALE<br>5 : 1                  |  | COUNT                   |  | DESIGNED |     | CHECKED         |
| HRS         |  | HIROSE<br>ELECTRIC<br>CO., LTD. |  | APPROVED : KI. AKIYAMA  |  | 13.05.28 |     | DRAWING<br>NO.  |
|             |  |                                 |  | CHECKED : HK. UMEHARA   |  | 13.05.28 |     | PART<br>NO.     |
|             |  |                                 |  | DESIGNED : TS. KUMAZAWA |  | 13.05.28 |     | CODE<br>NO.     |
|             |  |                                 |  | DRAWN : TS. KUMAZAWA    |  | 13.05.28 |     | CL544-0567-0-00 |
|             |  |                                 |  |                         |  |          |     | EDC3-351972-00  |
|             |  |                                 |  |                         |  |          |     | DF62C-4S-2.2C   |
|             |  |                                 |  |                         |  |          |     | 1/1             |