

| PART No. | CODE No. | NUMBER OF CONTACTS | A | B | C | D | E | F |
|----------------|-----------------|--------------------|------|------|------|----|----|------|
| DF9-9P-1V(69) | CL540-0066-9-69 | 9 | 10.1 | 8.3 | 6.6 | 3 | 4 | 7.1 |
| DF9-11P-1V(69) | CL540-0067-1-69 | 11 | 11.1 | 9.3 | 7.6 | 4 | 5 | 8.1 |
| DF9-13P-1V(69) | CL540-0068-4-69 | 13 | 12.1 | 10.3 | 8.6 | 5 | 6 | 9.1 |
| DF9-15P-1V(69) | CL540-0069-7-69 | 15 | 13.1 | 11.3 | 9.6 | 6 | 7 | 10.1 |
| DF9-17P-1V(69) | CL540-0070-6-69 | 17 | 14.1 | 12.3 | 10.6 | 7 | 8 | 11.1 |
| DF9-19P-1V(69) | CL540-0071-9-69 | 19 | 15.1 | 13.3 | 11.6 | 8 | 9 | 12.1 |
| DF9-21P-1V(69) | CL540-0072-1-69 | 21 | 16.1 | 14.3 | 12.6 | 9 | 10 | 13.1 |
| DF9-23P-1V(69) | CL540-0073-4-69 | 23 | 17.1 | 15.3 | 13.6 | 10 | 11 | 14.1 |
| DF9-25P-1V(69) | CL540-0074-7-69 | 25 | 18.1 | 16.3 | 14.6 | 11 | 12 | 15.1 |
| DF9-31P-1V(69) | CL540-0075-0-69 | 31 | 21.1 | 19.3 | 17.6 | 14 | 15 | 18.1 |
| DF9-41P-1V(69) | CL540-0214-4-69 | 41 | 26.1 | 24.3 | 22.6 | 19 | 20 | 23.1 |
| DF9-51P-1V(69) | CL540-0088-1-69 | 51 | 31.1 | 29.3 | 27.6 | 24 | 25 | 28.1 |

NOTES 1 : LEAD CO-PLANARITY INCLUDE REINFORCED METAL FITTINGS SHALL BE 0.1mm MAX.
 2 HRS MARK AND CAV NO. ARE INDICATED IN APPROX POSITION SHOWN.
 3 9 TO 25 CONTACT CONNECTORS HAVE ONE LOCK AT CENTER OF HOUSING.
 31 TO 51 CONTACT CONNECTORS HAVE TWO LOCKS AS PER DRAWING.

| NO. | MATERIAL | FINISH . REMARKS | NO. | MATERIAL | FINISH . REMARKS |
|-----|-----------------|--|-----|-----------|------------------------------|
| 3 | BRASS | SURFACE:TIN PLATED(REFLOW FINISH)1μm min UNDER PLATING:COPPER 0.3μm min | 8 | PS | REINFORCEMENT COLLAR |
| 2 | PHOSPHOR BRONZE | CONTACT AREA:GOLD PLATED 0.2μm min LEAD AREA:TIN PLATED 1μm min UNDER PLATING:NICKEL 0.3μm min | 7 | PS | BLACK(PLASTIC REEL) |
| | | | 6 | POLYIMIDE | BROWN(HEAT-RESISTANCE TAPE) |
| | | | 5 | POLYESTER | CLEAR(COVER TAPE) |
| 1 | POLYAMIDE | BEIGE. UL94V-0 | 4 | PS | CLEAR(EMBOSSED CARRIER TAPE) |

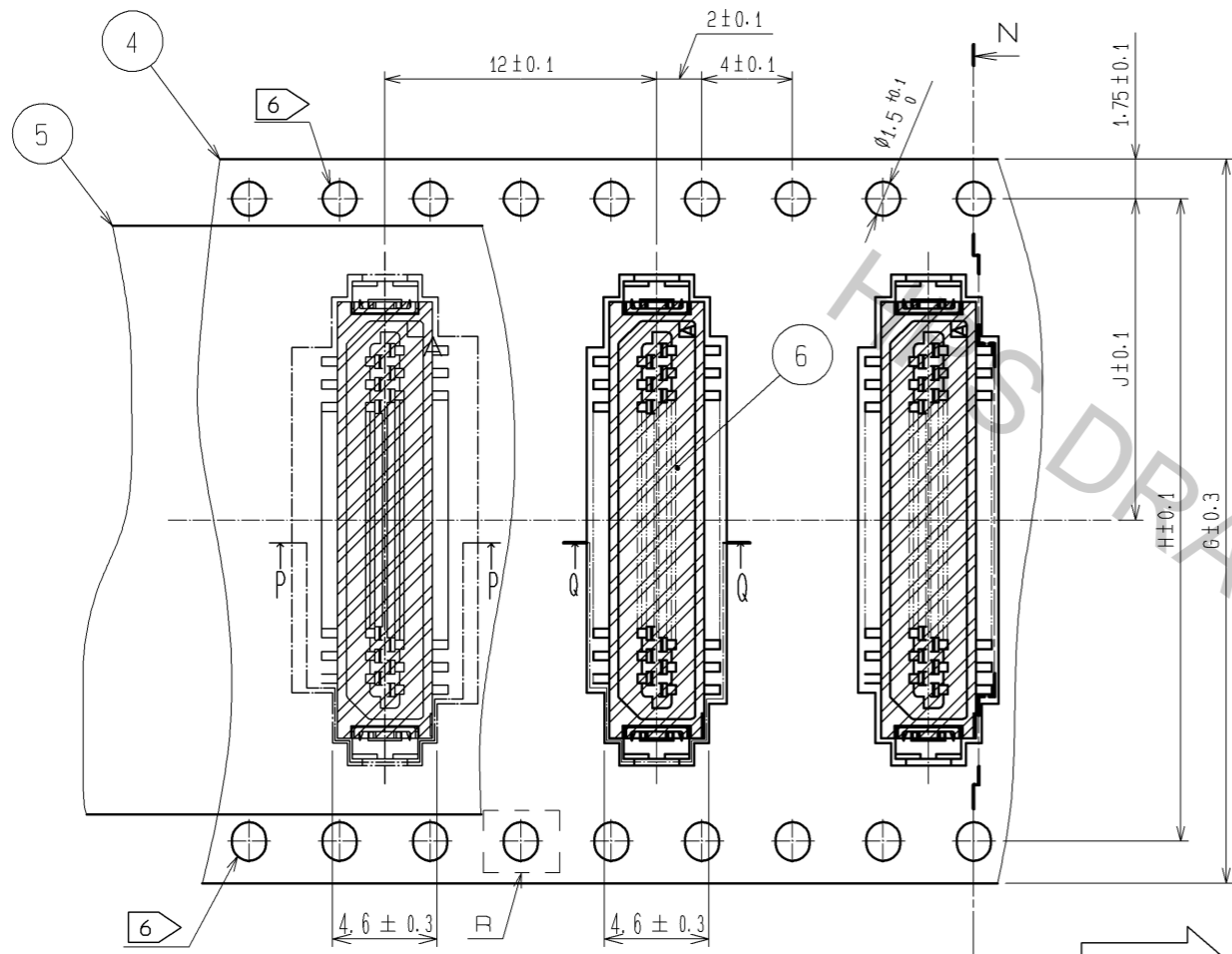
| UNITS | SCALE | COUNT | DESCRIPTION OF REVISIONS | DESIGNED | CHECKED | DATE |
|-------|-------|-------|--------------------------|----------|---------|------|
| mm | 5 : 1 | △ | | | | |

| | | | |
|-------------------------|----------|-------------|----------------|
| APPROVED : KH. IKEDA | 12.01.16 | DRAWING NO. | EDC3-341298-02 |
| CHECKED : AR. TAKAHASHI | 12.01.16 | PART NO. | DF9-*P-1V(69) |
| DESIGNED : SH. HOSODA | 12.01.16 | CODE NO. | CL540- |
| DRAWN : KR. AJITO | 12.01.16 | | |

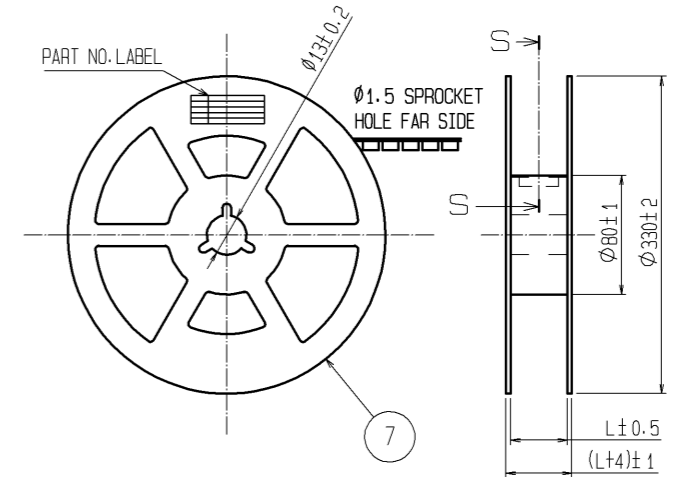
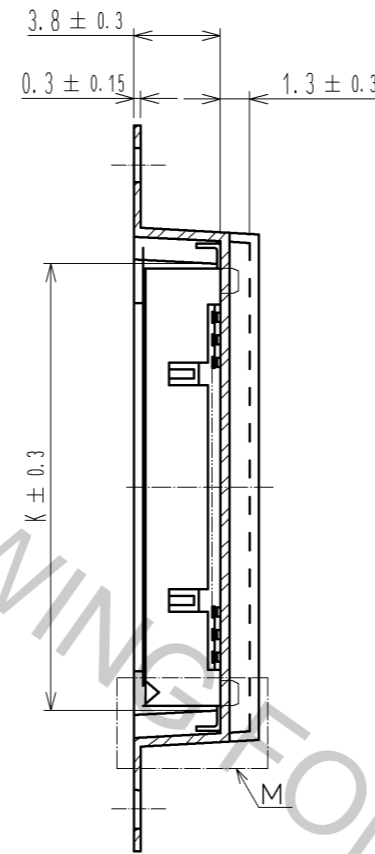
Oct.1.2018 Copyright 2018 HIROSE ELECTRIC CO., LTD. All Rights Reserved.
 In case that the application demands a high level of reliability, such as automotive,
 please contact a company representative for further information.

エンボスカリヤテープ(3:1)

STYLE AND DIMENSION OF REEL (FREE)



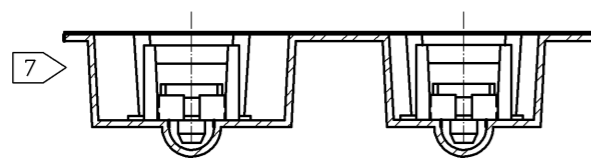
N-N(3:1)



| PART No. | CODE No. | NUMBER OF CONTACTS | G | H | J | K | L |
|----------------|-----------------|--------------------|----|------|------|------|------|
| DF9-9P-1V(69) | CL540-0066-9-69 | 9 | 24 | - | 11.5 | 8.7 | 25.5 |
| DF9-11P-1V(69) | CL540-0067-1-69 | 11 | 24 | - | 11.5 | 9.7 | 25.5 |
| DF9-13P-1V(69) | CL540-0068-4-69 | 13 | 24 | - | 11.5 | 10.7 | 25.5 |
| DF9-15P-1V(69) | CL540-0069-7-69 | 15 | 24 | - | 11.5 | 11.7 | 25.5 |
| DF9-17P-1V(69) | CL540-0070-6-69 | 17 | 24 | - | 11.5 | 12.7 | 25.5 |
| DF9-19P-1V(69) | CL540-0071-9-69 | 19 | 24 | - | 11.5 | 13.7 | 25.5 |
| DF9-21P-1V(69) | CL540-0072-1-69 | 21 | 24 | - | 11.5 | 14.7 | 25.5 |
| DF9-23P-1V(69) | CL540-0073-4-69 | 23 | 32 | 28.4 | 14.2 | 15.7 | 33.5 |
| DF9-25P-1V(69) | CL540-0074-7-69 | 25 | 32 | 28.4 | 14.2 | 16.7 | 33.5 |
| DF9-31P-1V(69) | CL540-0075-0-69 | 31 | 32 | 28.4 | 14.2 | 19.7 | 33.5 |
| DF9-41P-1V(69) | CL540-0214-4-69 | 41 | 44 | 40.4 | 20.2 | 24.7 | 45.5 |
| DF9-51P-1V(69) | CL540-0088-1-69 | 51 | 44 | 40.4 | 20.2 | 29.7 | 45.5 |

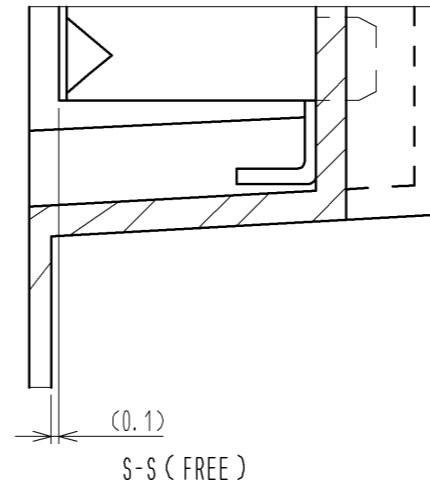
P-P(3:1)

Q-Q(3:1)



DIRECTION OF UNREELING

M(10:1)



NOTES 4 : 1 REEL 1000 CONNECTORS.

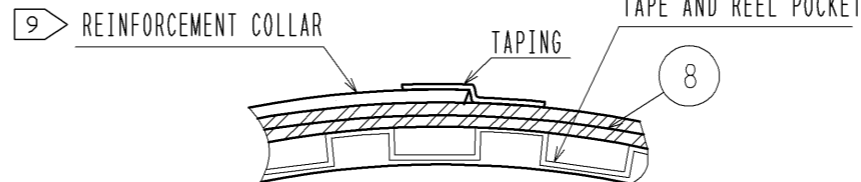
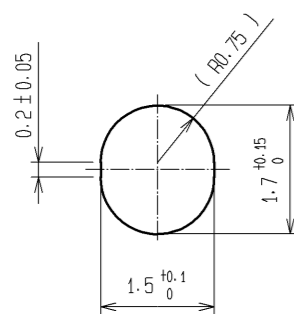
- 5 : AT THE BEIGINNING OF THE REEL, 30 COMPONENTS SHALL BE EMPTY. AT THE END OF THE REEL, 20 COMPONENTS SHALL BE EMPTY.
- 6 LET THE SENDING HOLE OF 9 TO 21 CONTACTS BE ONLY THE UPPER ONE SIDE TOWARD A DRAWING. THE SENDING HOLE OF 23 OR MORE CONTACTS IS ESTABLISHED IN BOTH SIDES, AS SHOWN IN A FIGURE.
- 7 A POCKET SHAPE IS DIFFERET AT INTERVALS OF EACH CAVITY NUMBER TO AVOID OVERLAP.
- 8 : PEEL FORCE REFERS TO JIS C 0806.
- 9 AFTER PACKING, ROLL 2 METERS OF THE REINFORCEMENT COLLAR TO OUTER CIRCUMFERENCE OF TAPE AND REEL POCKET, AND TAPE DOWN AT THE END THE COLLAR.

DETAIL OF PART NO. LABEL

- SUPPLIER
- QUANTITY
- PART NO.
- CODE NO.
- DATE OF MANUFACTURED

| | |
|------|------------------|
| 生産月日 | 年月日 |
| 図番 | CL540-****-**-69 |
| 品名 | DF9-*P-1V(69) |
| 納入数量 | 1000K0 |
| 納入者 | ヒロセ電機(株) |

R(10:1)



| | |
|-------------|----------------|
| DRAWING NO. | EDC3-341298-02 |
| PART NO. | DF9-*P-1V(69) |
| CODE NO. | CL540- |

2/2