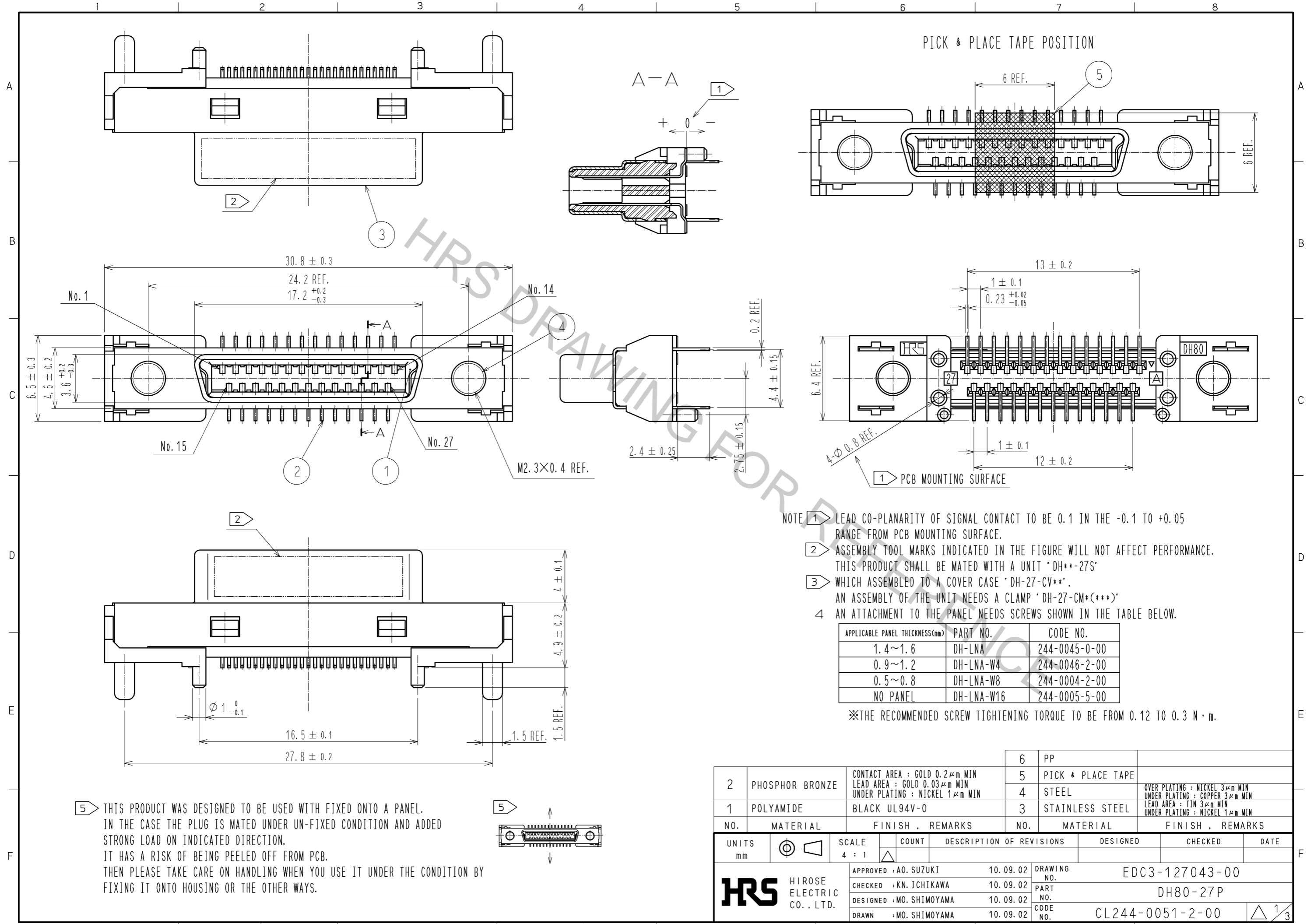


Oct.1.2018 Copyright 2018 HIROSE ELECTRIC CO., LTD. All Rights Reserved.
 In case that the application demands a high level of reliability, such as automotive,
 please contact a company representative for further information.

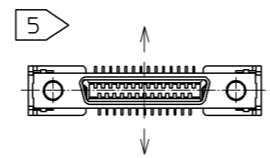


- NOTE
- 1 LEAD CO-PLANARITY OF SIGNAL CONTACT TO BE 0.1 IN THE -0.1 TO +0.05 RANGE FROM PCB MOUNTING SURFACE.
 - 2 ASSEMBLY TOOL MARKS INDICATED IN THE FIGURE WILL NOT AFFECT PERFORMANCE. THIS PRODUCT SHALL BE MATED WITH A UNIT 'DH** -27S' WHICH ASSEMBLED TO A COVER CASE 'DH-27-CV**'. AN ASSEMBLY OF THE UNIT NEEDS A CLAMP 'DH-27-CM*(***)'
 - 4 AN ATTACHMENT TO THE PANEL NEEDS SCREWS SHOWN IN THE TABLE BELOW.

APPLICABLE PANEL THICKNESS(mm)	PART NO.	CODE NO.
1.4~1.6	DH-LNA	244-0045-0-00
0.9~1.2	DH-LNA-W4	244-0046-2-00
0.5~0.8	DH-LNA-W8	244-0004-2-00
NO PANEL	DH-LNA-W16	244-0005-5-00

※THE RECOMMENDED SCREW TIGHTENING TORQUE TO BE FROM 0.12 TO 0.3 N · m.

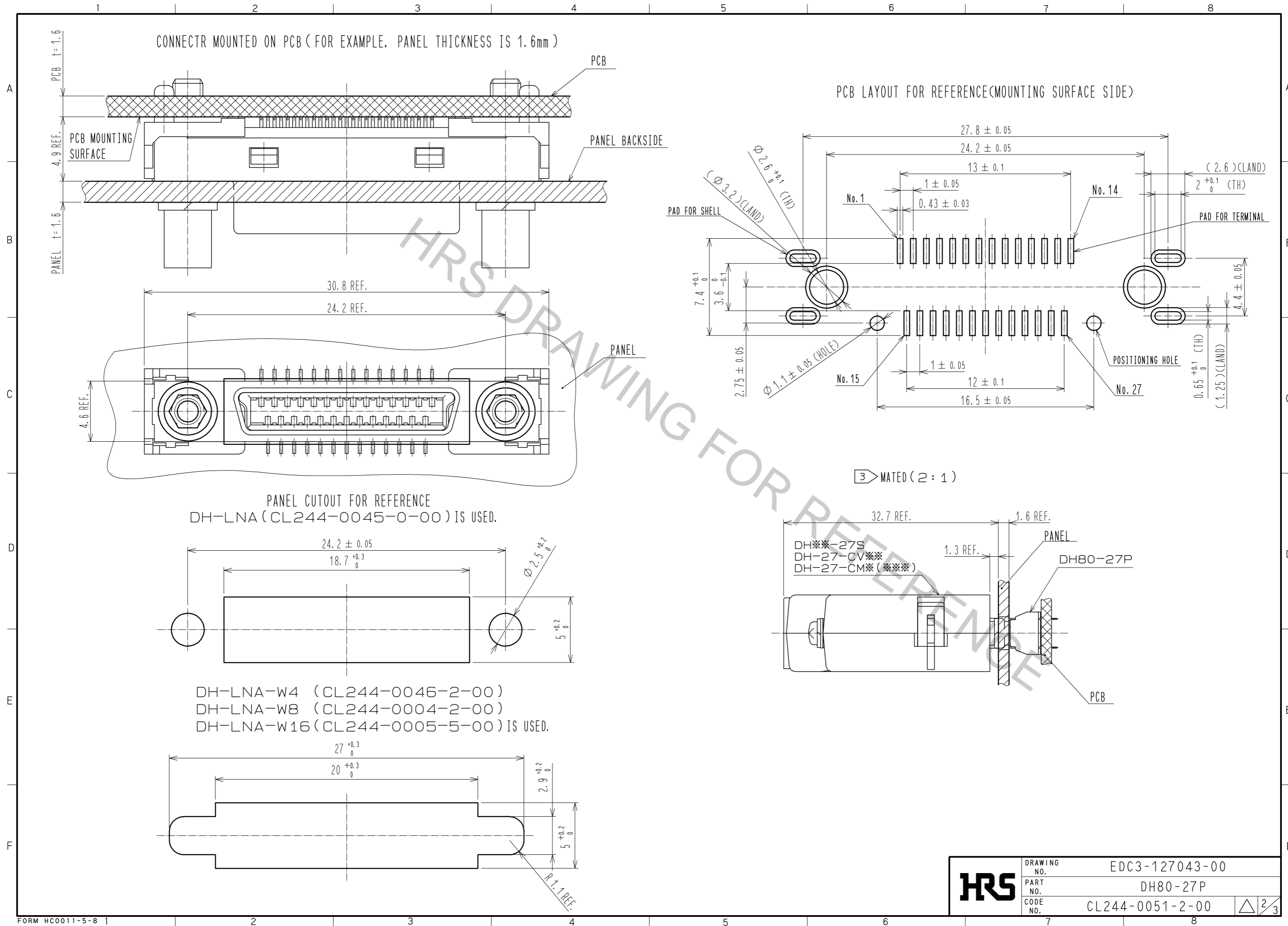
5 THIS PRODUCT WAS DESIGNED TO BE USED WITH FIXED ONTO A PANEL. IN THE CASE THE PLUG IS MATED UNDER UN-FIXED CONDITION AND ADDED STRONG LOAD ON INDICATED DIRECTION. IT HAS A RISK OF BEING PEELED OFF FROM PCB. THEN PLEASE TAKE CARE ON HANDLING WHEN YOU USE IT UNDER THE CONDITION BY FIXING IT ONTO HOUSING OR THE OTHER WAYS.



NO.	MATERIAL	FINISH . REMARKS	NO.	MATERIAL	FINISH . REMARKS
2	PHOSPHOR BRONZE	CONTACT AREA : GOLD 0.2μm MIN LEAD AREA : GOLD 0.03μm MIN UNDER PLATING : NICKEL 1μm MIN	6	PP	
1	POLYAMIDE	BLACK UL94V-0	5	PICK & PLACE TAPE	
			4	STEEL	OVER PLATING : NICKEL 3μm MIN UNDER PLATING : COPPER 3μm MIN
			3	STAINLESS STEEL	LEAD AREA : TIN 3μm MIN UNDER PLATING : NICKEL 1μm MIN

UNITS	SCALE	COUNT	DESCRIPTION OF REVISIONS	DESIGNED	CHECKED	DATE
mm	4 : 1	△				
APPROVED : A0. SUZUKI			10.09.02	DRAWING NO. EDC3-127043-00		
CHECKED : KN. ICHIKAWA			10.09.02	PART NO. DH80-27P		
DESIGNED : MO. SHIMOYAMA			10.09.02	CODE NO. CL244-0051-2-00		
DRAWN : MO. SHIMOYAMA			10.09.02	△ 1/3		

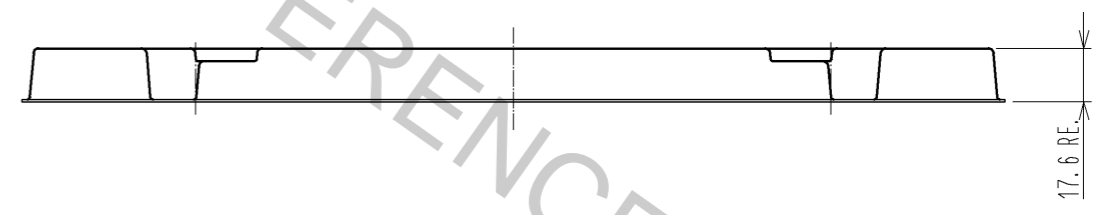
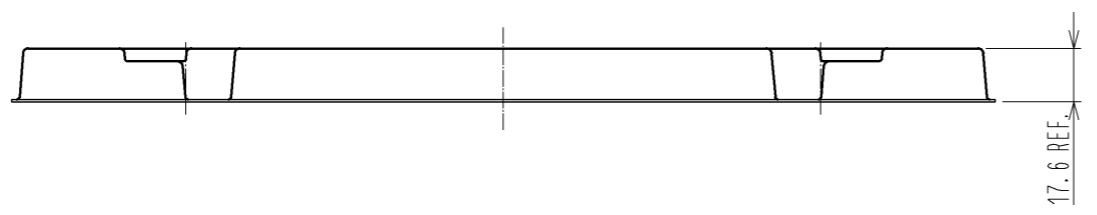
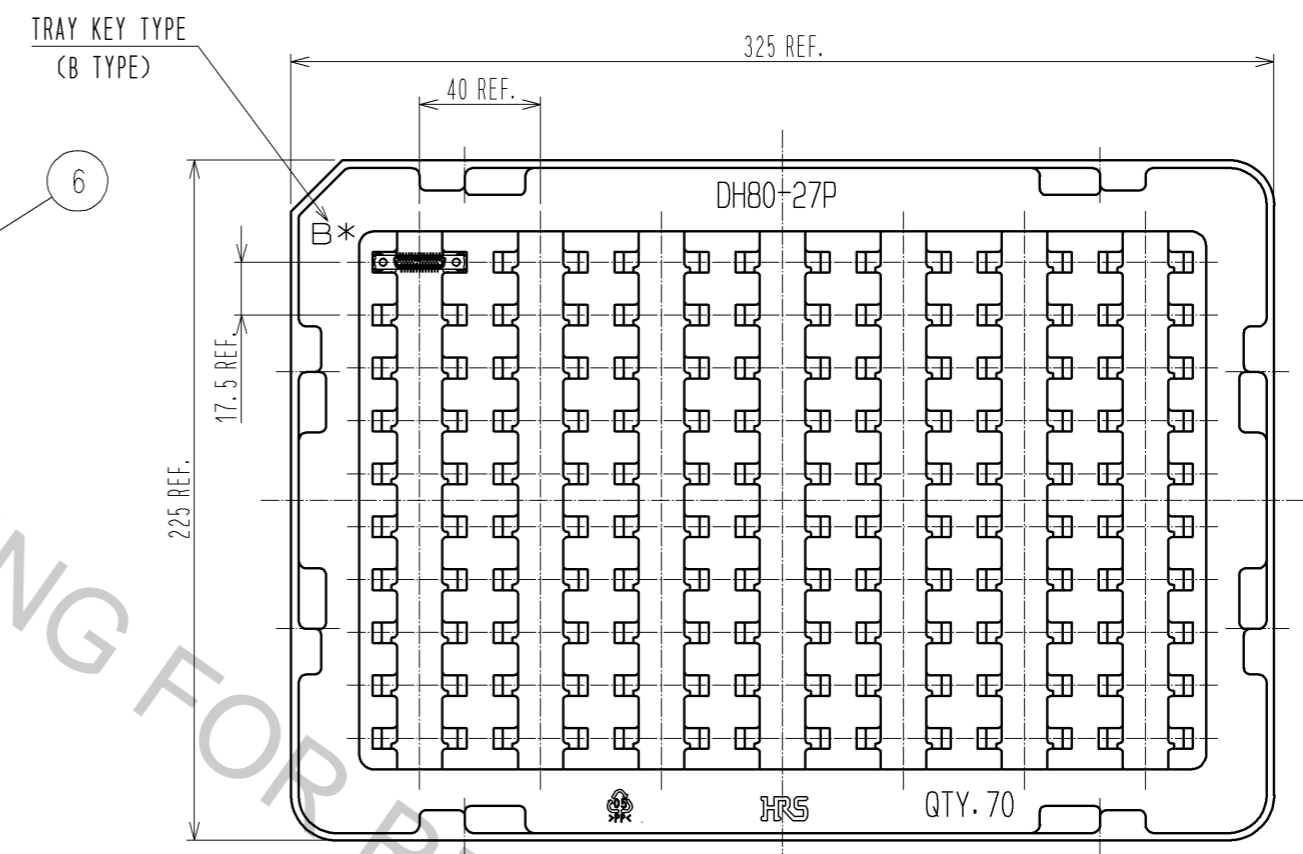
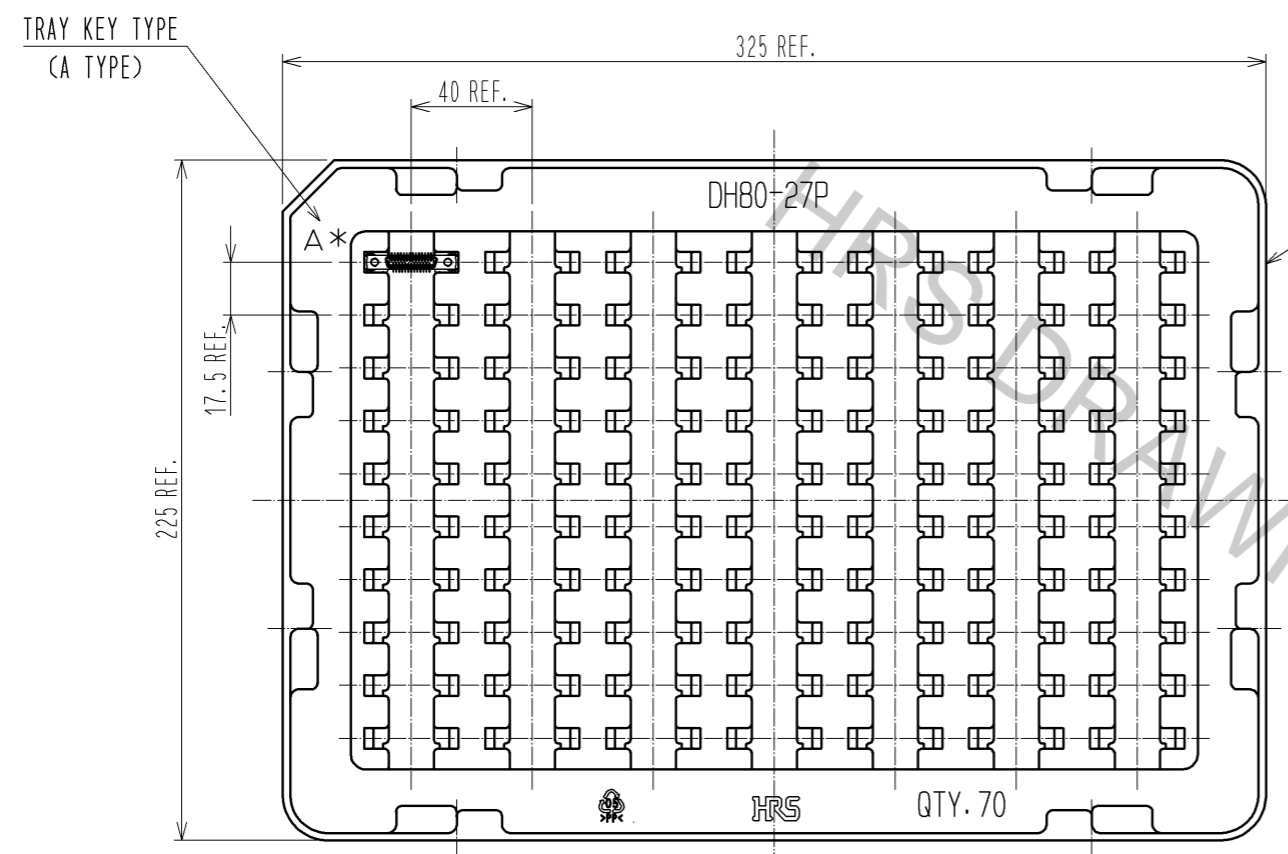
Oct.1.2018 Copyright 2018 HIROSE ELECTRIC CO., LTD. All Rights Reserved.
 In case that the application demands a high level of reliability, such as automotive,
 please contact a company representative for further information.



HRS	DRAWING NO.	EDC3-127043-00
	PART NO.	DH80-27P
	CODE NO.	CL244-0051-2-00
		△ 2/3

Oct.1.2018 Copyright 2018 HIROSE ELECTRIC CO., LTD. All Rights Reserved.
 In case that the application demands a high level of reliability, such as automotive,
 please contact a company representative for further information.

DRAWING FOR PACKING(FREE)



※TRAYS. A TYPE AND B TYPE. ARE PILED UP ALTERNATELY.

HRS	DRAWING NO.	EDC3-127043-00	3/3
	PART NO.	DH80-27P	
	CODE NO.	CL244-0051-2-00	