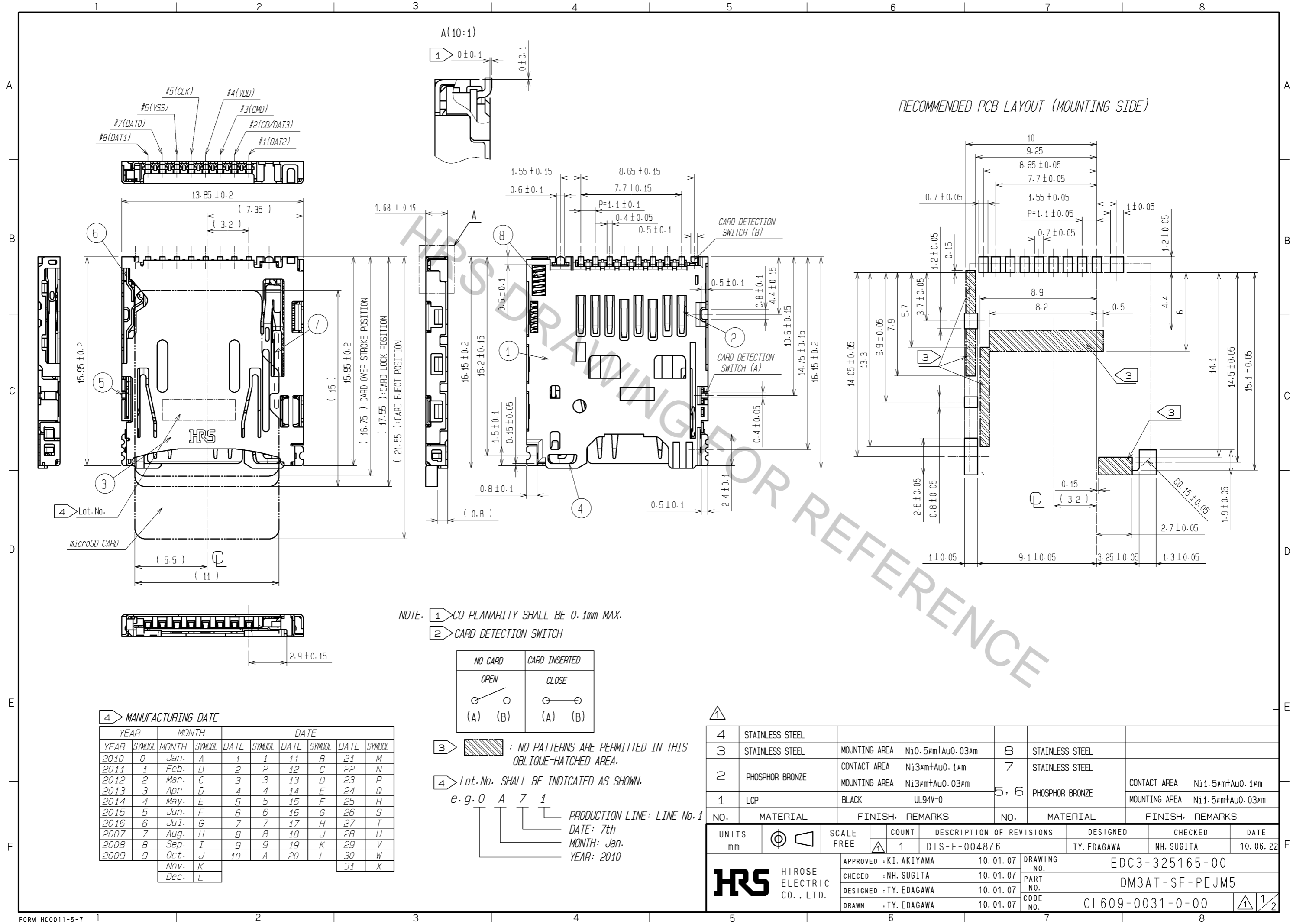
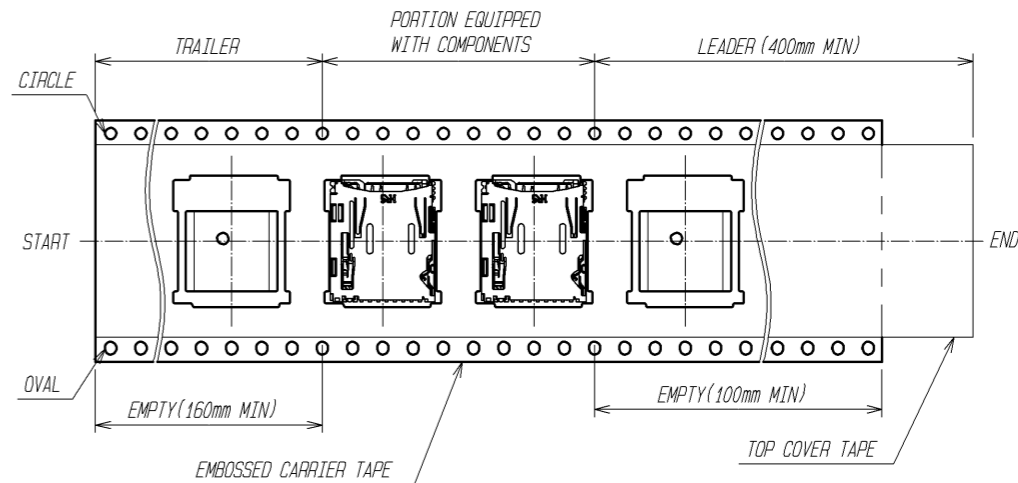
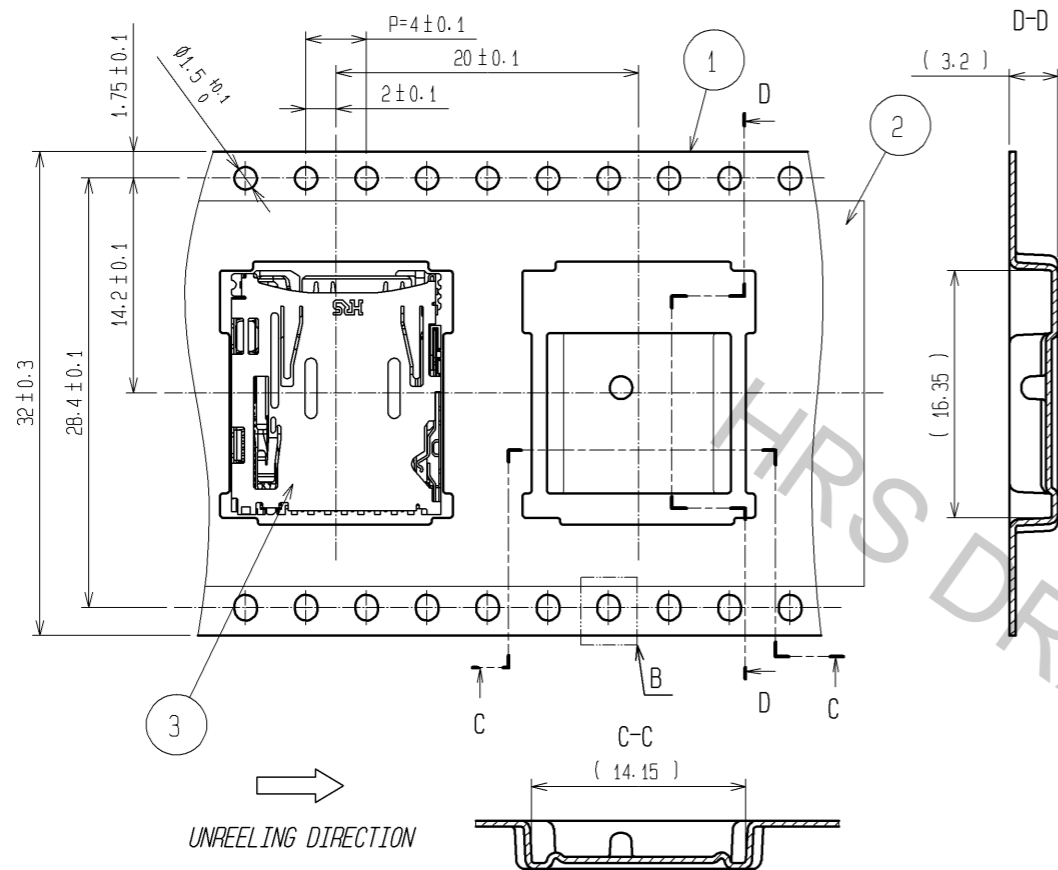


Oct.1.2018 Copyright 2018 HIROSE ELECTRIC CO., LTD. All Rights Reserved.
 In case that the application demands a high level of reliability, such as automotive,
 please contact a company representative for further information.

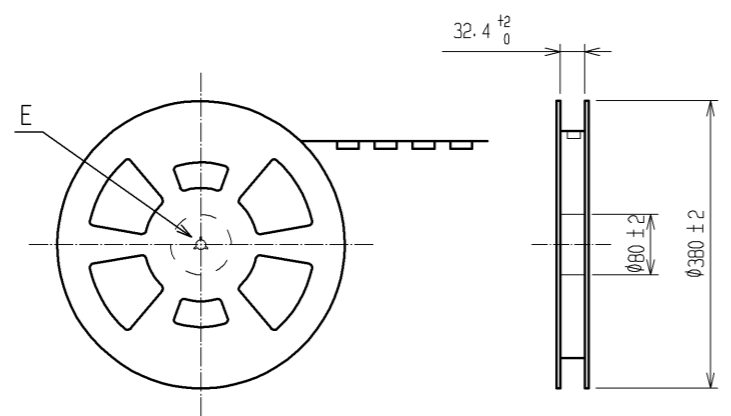


5 DRAWING FOR PACKING

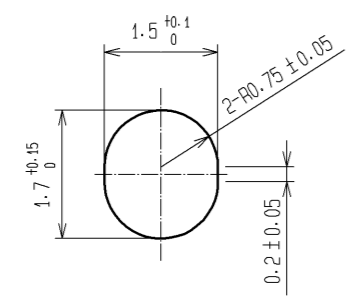


UNREELING DIRECTION

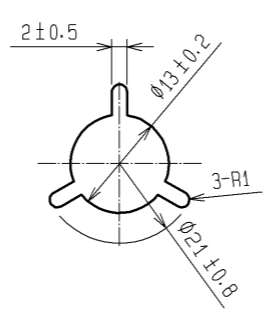
DETAIL OF REEL (1:10)



B(10:1)



E(1:1)



NOTE. 5 PACKING TYPE: TAPE AND REEL. 1500PCS PER REEL.
 6 PLEASE REFER TO TECHNICAL SPECIFICATION : ETAD-F0345
 DM3AT SERIES PRODUCT INFORMATION AND HANDLING INSTRUCTIONS
 FOR THE HANDLING OF THE PRODUCT.

NO.	MATERIAL	FINISH	REMARKS
3	(CONNECTORS)		
2	POLYESTER		
1	PS		

UNITS	SCALE	COUNT	DESCRIPTION OF REVISIONS	DESIGNED	CHECKED	DATE
mm	2:1	1	DIS-F-004876	TY. EDAGAWA	NH. SUGITA	10.06.22
APPROVED : KI. AKIYAMA			10.01.07	DRAWING NO. EDC3-325165-00		
CHECKED : NH. SUGITA			10.01.07	PART NO. DM3AT-SF-PEJM5		
DESIGNED : TY. EDAGAWA			10.01.07	CODE NO. CL609-0031-0-00		
DRAWN : TY. EDAGAWA			10.01.07	1/2		