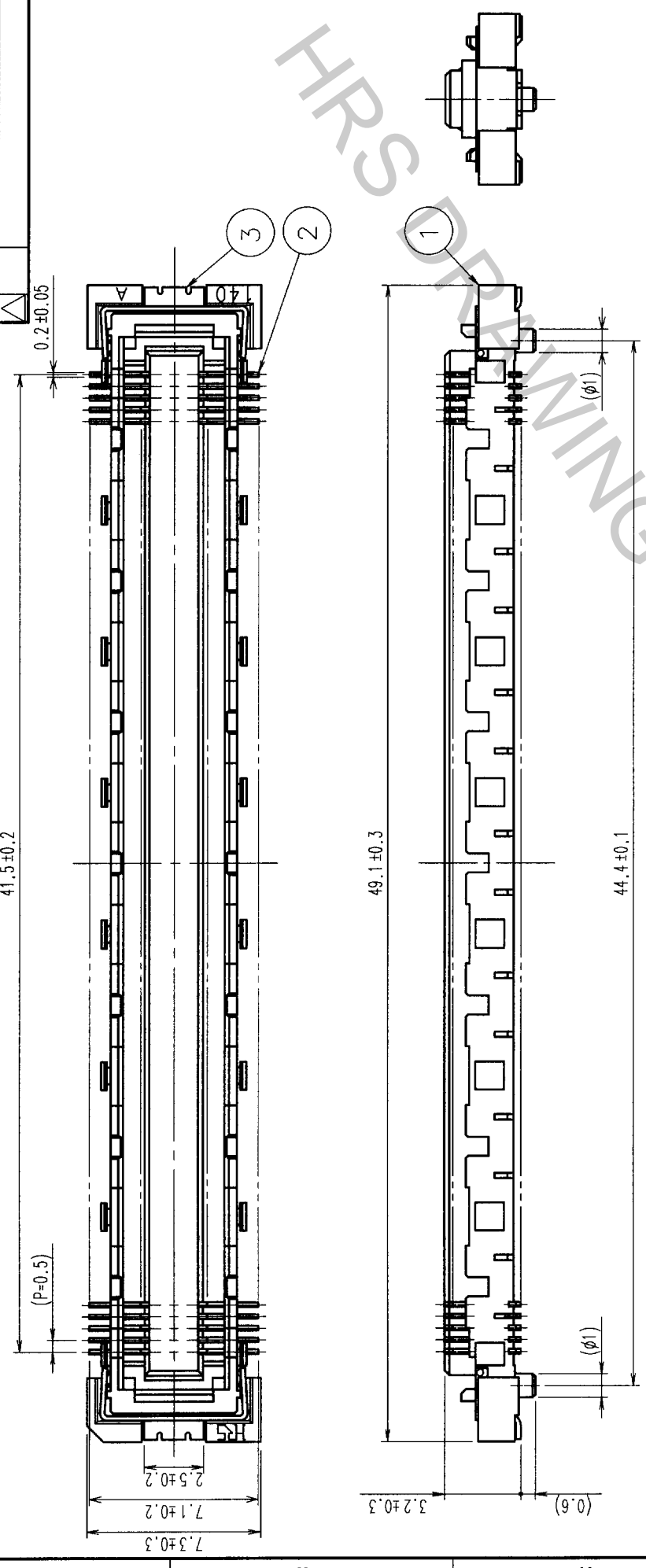
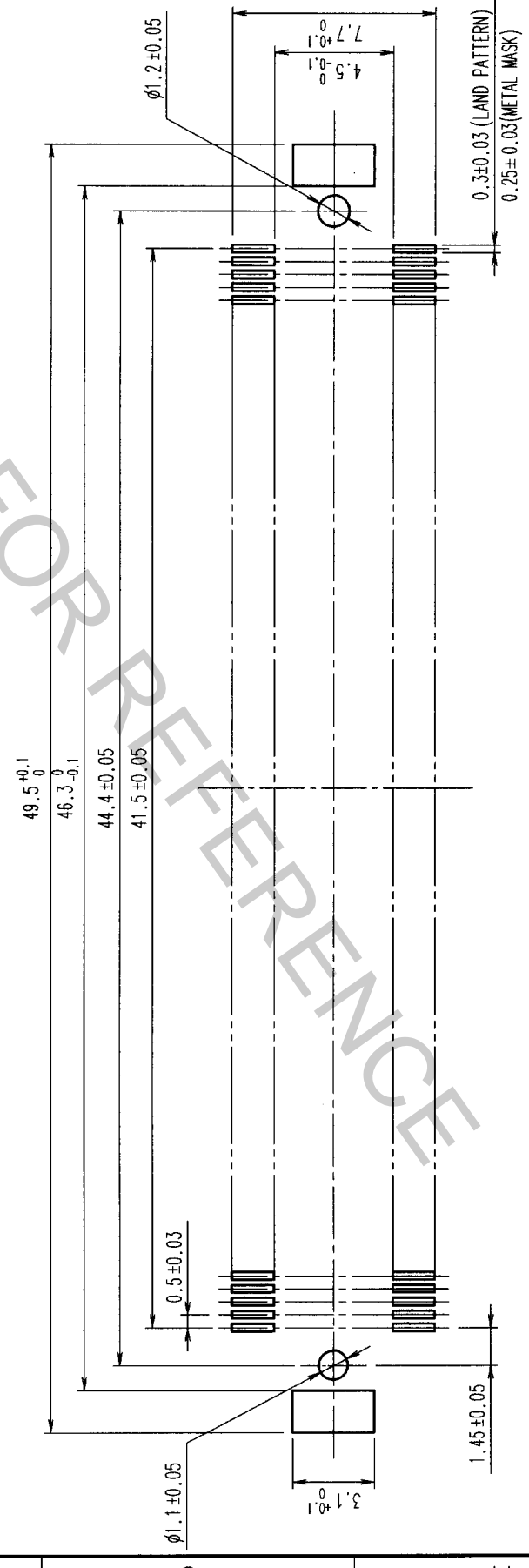


Oct.1.2018 Copyright 2018 HIROSE ELECTRIC CO., LTD. All Rights Reserved.
 3 In case that the application demands a high level of reliability, such as automotive, please contact a company representative for further information.

1		2		3		4		5		6		7		8	
NO.	DESCRIPTION OF REVISIONS	BY	CHKD	DATE	COUNT	DESCRIPTION OF REVISIONS	BY	CHKD	DATE	COUNT	DESCRIPTION OF REVISIONS	BY	CHKD	DATE	



RECOMMENDED LAND PATTERN DIMENSION OF PCB

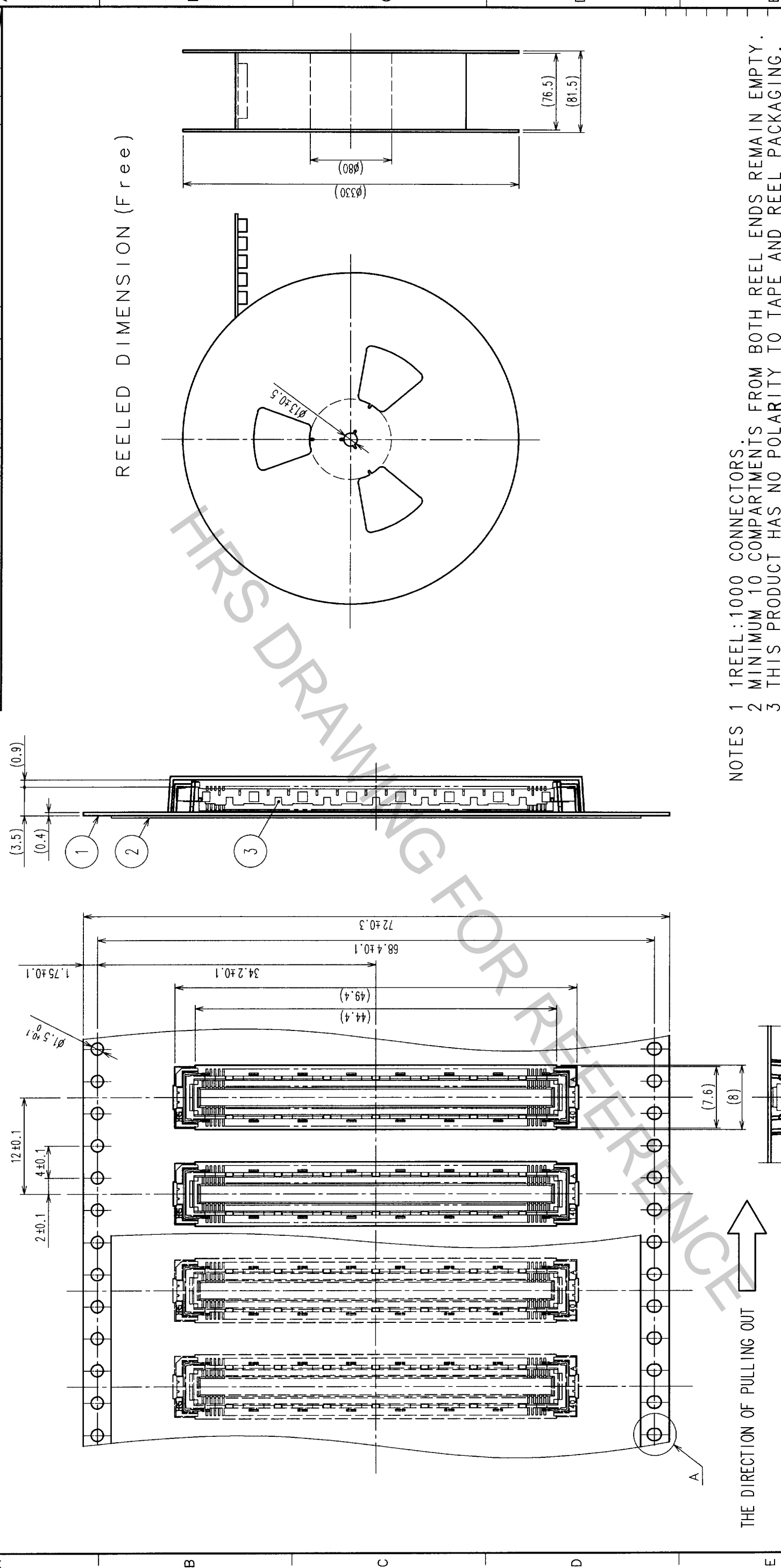


- NOTES
- 1 SMT LEAD-COPLANARITY: 0.1 MAX.
 - 2 THIS PRODUCT HAS NO POLARITY TO PATTERN FOR MOUNTING.
 - 3 EMBOSS CARRIER TAPE PACKAGE IS APPLIED ON THIS PRODUCT. PLEASE REFER TO THE SHEET 2/2 FOR THE DETAILS.

2	PHOSPHOR BRONZE	CONTACT AREA: GOLD (0.1μm) OVER NICKEL	NO.	3	PHOSPHOR BRONZE	TIN PLATED
1	LCP	LEAD: GOLD FLASH OVER NICKEL	NO.	3	MATERIAL	FINISH, REMARKS
NO.	MATERIAL	FINISH, REMARKS	NO.	MATERIAL	FINISH, REMARKS	RELEASED
CODE NO. (OLD)	CL	CL	DRAWN	DESIGNED	CHECKED	APPROVED
			<i>J. Nakada</i>	<i>J. Nakada</i>	<i>M. Sakata</i>	<i>T. Yoshimura</i>
			00.01.07	00.01.07	00.01.11	00.01.11
DRAWING NO.	EDC3-151987-01	PART NO.	FX10A-168S-SV (21)			
SCALE	4 : 1	CODE NO.	CL570-0244-7-21			
UNITS	mm					

TO	
PCK	

NO.	DESCRIPTION OF REVISIONS	DATE	BY	CHKD	DATE	COUNT	DESCRIPTION OF REVISIONS	DATE	BY	CHKD	DATE
1	INITIAL INFORMATION					1					
2						1					
3						1					



- NOTES
- 1 REEL: 1000 CONNECTORS.
 - 2 MINIMUM 10 COMPARTMENTS FROM BOTH REEL ENDS REMAIN EMPTY.
 - 3 THIS PRODUCT HAS NO POLARITY TO TAPE AND REEL PACKAGING.

2	PET	TOP COVER TAPE	EMBOSSED CARRIER TAPE	3	(CONNECTOR)
1	PS				
NO.	MATERIAL	FINISH, REMARKS	NO.	MATERIAL	FINISH, REMARKS
CODE NO. (OLD)	CL				
DRAWING NO.		DRAWN		CHECKED	APPROVED
EDC3-151987-01		J. Sakada		J. Sakada	J. Sakada
SCALE		DATE		DATE	DATE
2 : 1		00.01.07		00.01.11	00.01.11
UNITS		PART NO.		RELEASED	
mm		FX10A-168S-SV(21)			
		CODE NO.		CODE NO.	
		CL570-0244-7-21		CL570-0244-7-21	

TO	
PCK	