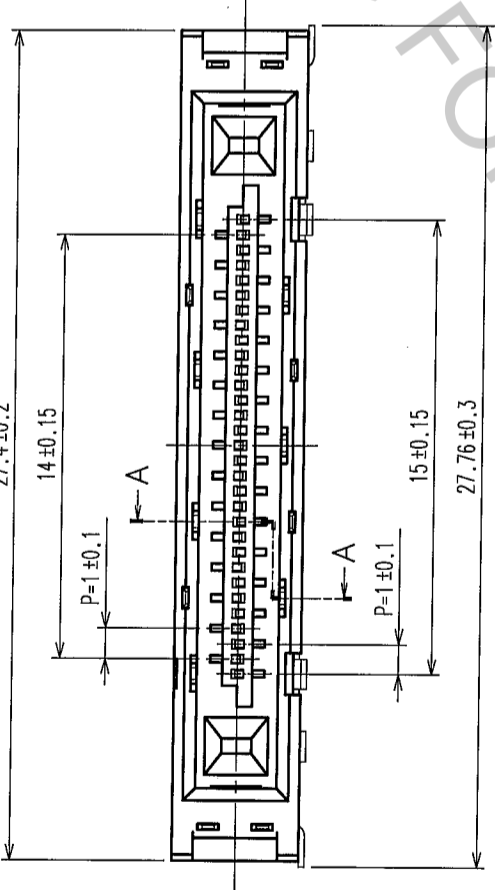
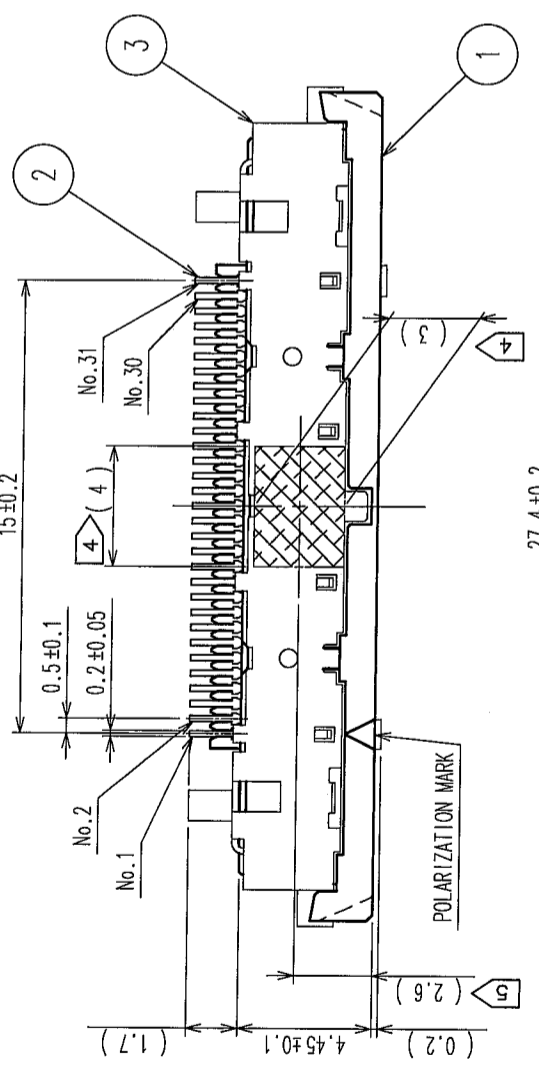
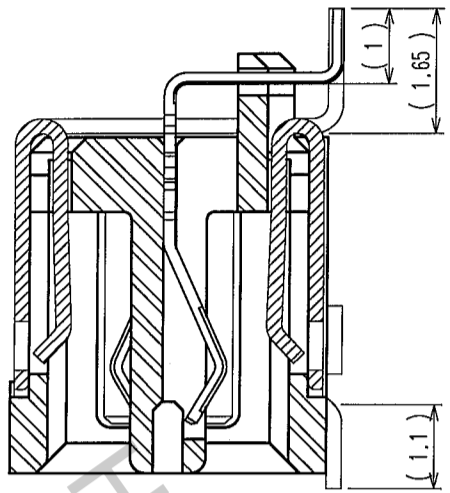


In case that the application demands a high level of reliability, such as automotive, please contact a company representative for further information.

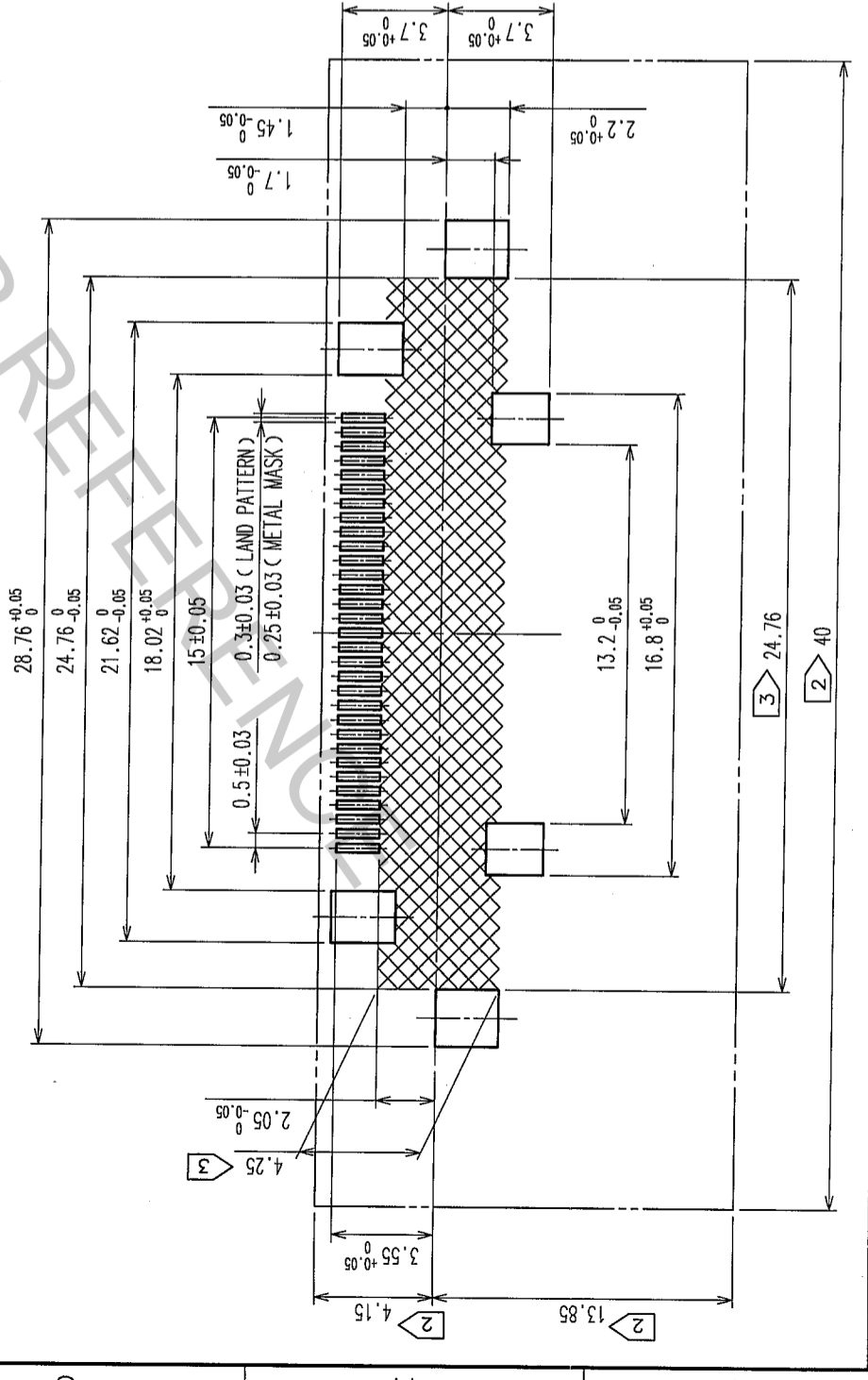
NO.	DESCRIPTION OF REVISIONS	BY	CHKD	DATE	COUNT	DESCRIPTION OF REVISIONS	BY	CHKD	DATE
1	DIS-F-000562	K.S.H.Y		05.10.31	1				



AA(10:1) Δ



RECOMMENDED LAND PATTERN DIMENSION OF P.C.B



- NOTE
- LEAD-COPLANARITY OF THIS PRODUCT TO BE 0.1MAX FOR SMT LEAD AND 0.15MAX FOR GROUND PLATE LEAD.
  - DO NOT MOUNT OTHER DEVICES ONTO [ ] AREA, OR MATINGPAIR CANNOT BE MATED AND OPERATED THE LOCK PARTS.
  - [ ] AREA OF INNER SMT LAND REQUIRES PATTERN PROHIBITION OR RESIST TREATMENT TO PREVENT THE PATTERN TOUCHING TO THE CONTACTS.
  - [ ] AREA IS VACUUM PICKUP AREA FOR REFERENCE.
  - THE DIMENSION IS THE CENTER OF VACUUM PICKUP AREA.
  - THE DIMENSIONS IN PARENTHESES ARE FOR REFERENCE.
  - PACKAGING FOR THIS PRODUCT APPLIES EMBOSSED CARRIER TAPE PACKAGING. SEE SHEET 2/2 FOR DETAILS.

NO.	MATERIAL	FINISH, REMARKS	NO.	MATERIAL	FINISH, REMARKS
3	NICKEL SILVER		2	PHOSPHOR BRONZE	
1	PA	BLACK UL94V-0			

CONTACT AREA: GOLD	0.1μm min	LEAD AREA: TIN-PLATING	1μm min	UNDER PLATING: NICKEL	0.5μm min
DESIGNED	K. SHIBUYA	CHECKED	H. YAMAGUCHI	APPROVED	H. OKAWA
DRAWN	05.08.04		05.08.04		05.08.05

SCALE	4 : 1	UNITS	mm
DRAWING NO.	EDC3-155934		
PART NO.	FX15S-31S-0.5SH		
CODE NO.	CL		
HIROSE ELECTRIC CO., LTD	CL575-2306-5		

