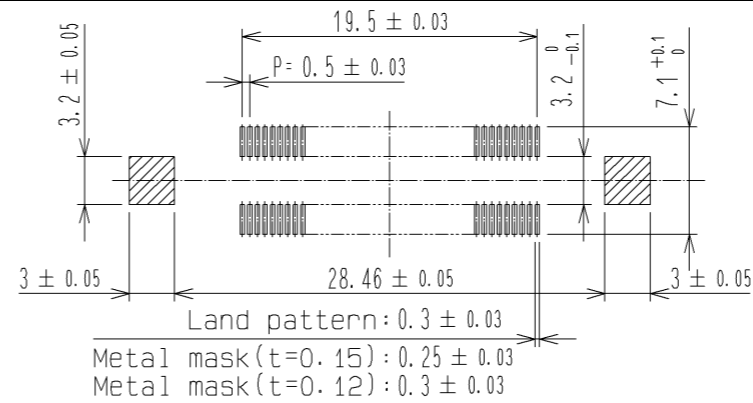
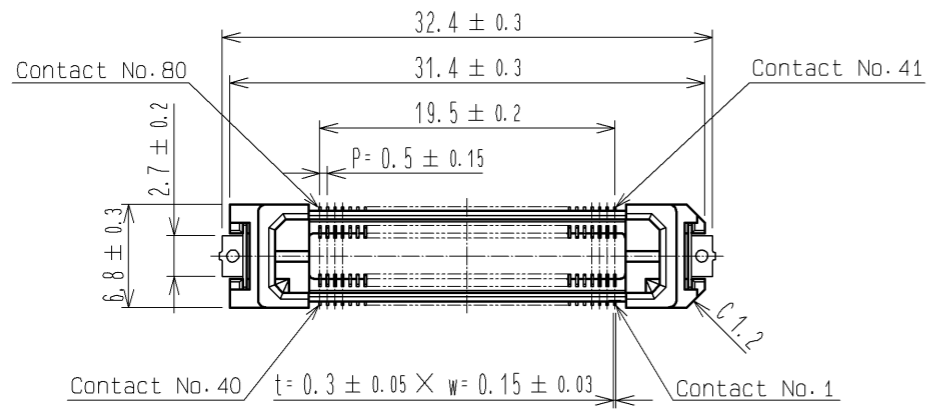
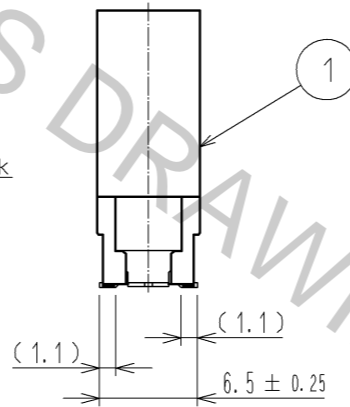
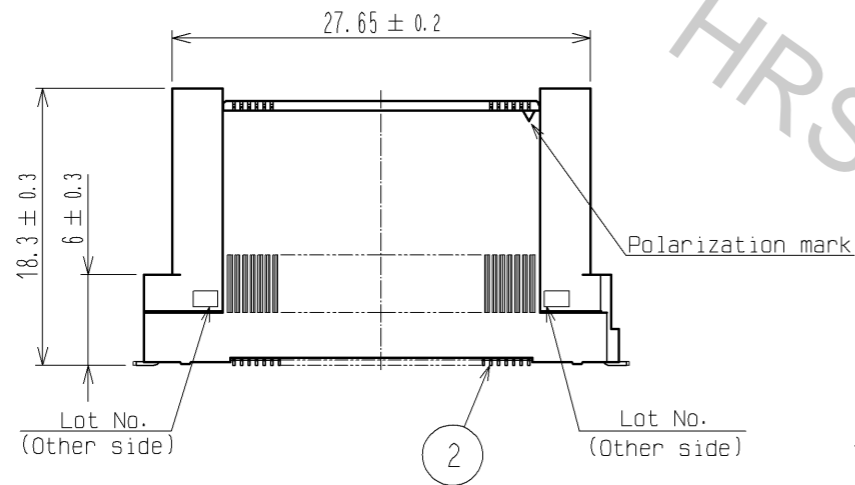
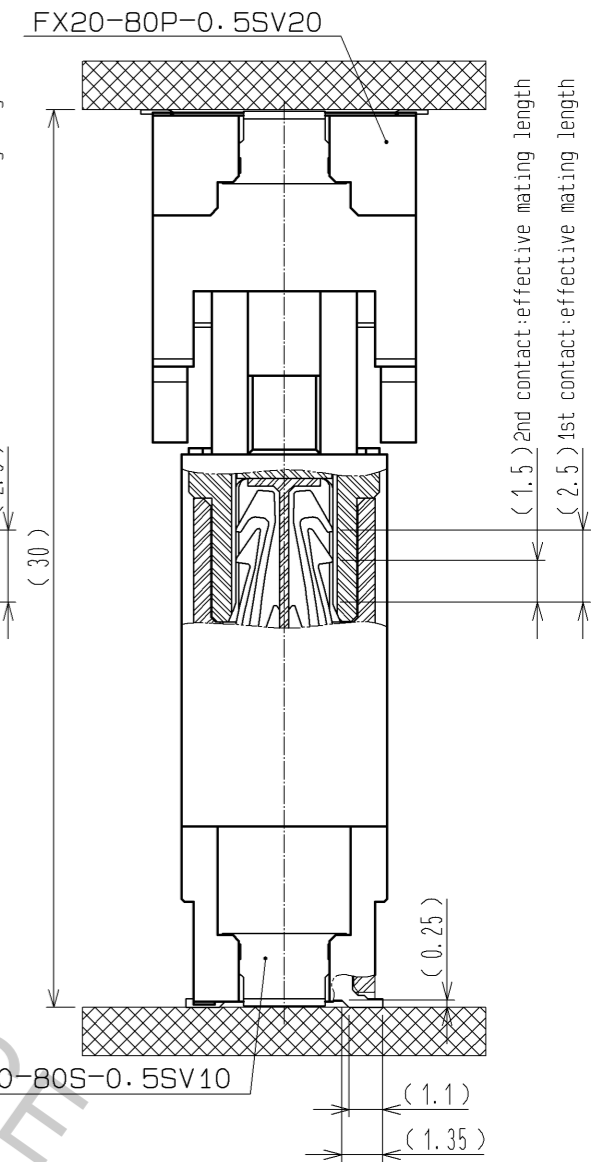


Oct.1.2018 Copyright 2018 HIROSE ELECTRIC CO., LTD. All Rights Reserved.
 In case that the application demands a high level of reliability, such as automotive,
 please contact a company representative for further information.

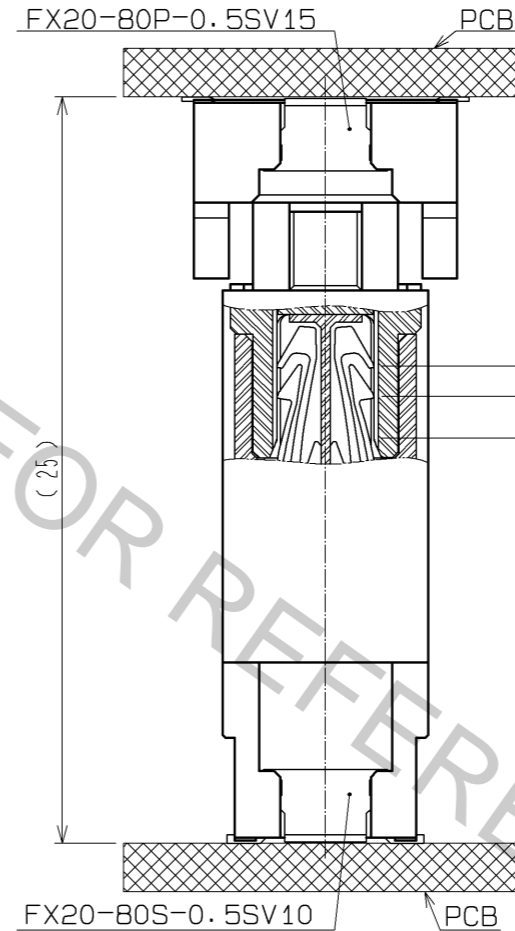
RECOMMENDED LAND PATTERN DIMENSION OF PCB



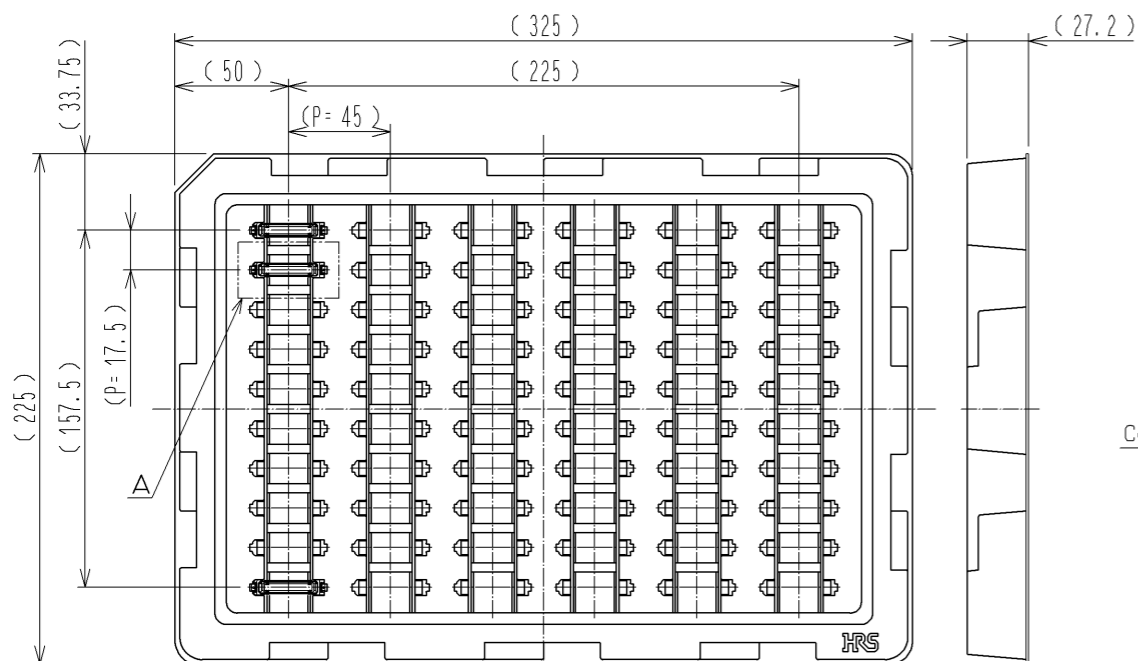
Drawing for mating (No scale)



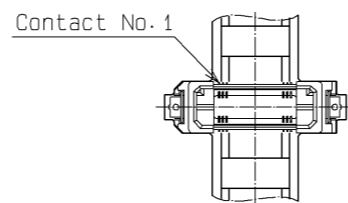
Drawing for mating (No scale)



2 DRAWING FOR PACKING (No scale)



A (1:1)



- 1 Lead CO-Planarity is 0.1mm MAX.
- 2 This is packaged in tray.(60pcs/tray)
- 3 Blemish and hit mark can be occurred through out the manufacturing process which doesn't affect quality level.
- 4 Please note that excessive wrenching force could damage this connector.
Please refer to the guideline for detailed regulations of the mating method.
- 5 The dimensions in parentheses are for references.

1	LCP	BLACK	UL94V-0	3	BRASS	TIN-PLATING 1 μm		
				2	PHOSPHOR BRONZE	CONTACT AREA:GOLD 0.1 μm LEAD AREA:GOLD 0.03 μm UNDER PLATING:NICKEL 1 μm		
NO.	MATERIAL	FINISH	REMARKS	NO.	MATERIAL	FINISH . REMARKS		
UNITS	mm	SCALE	2 : 1	COUNT	DESCRIPTION OF REVISIONS	DESIGNED	CHECKED	DATE
APPROVED : HS. OKAWA				13.10.07	DRAWING NO. EDC3-336346-00			
CHECKED : KI. HIROKAWA				13.10.07	PART NO. FX20-80S-0.5SV10			
DESIGNED : TS. OONO				13.10.07	CODE NO. CL570-1109-7-00			
DRAWN : TS. OONO				13.10.07				