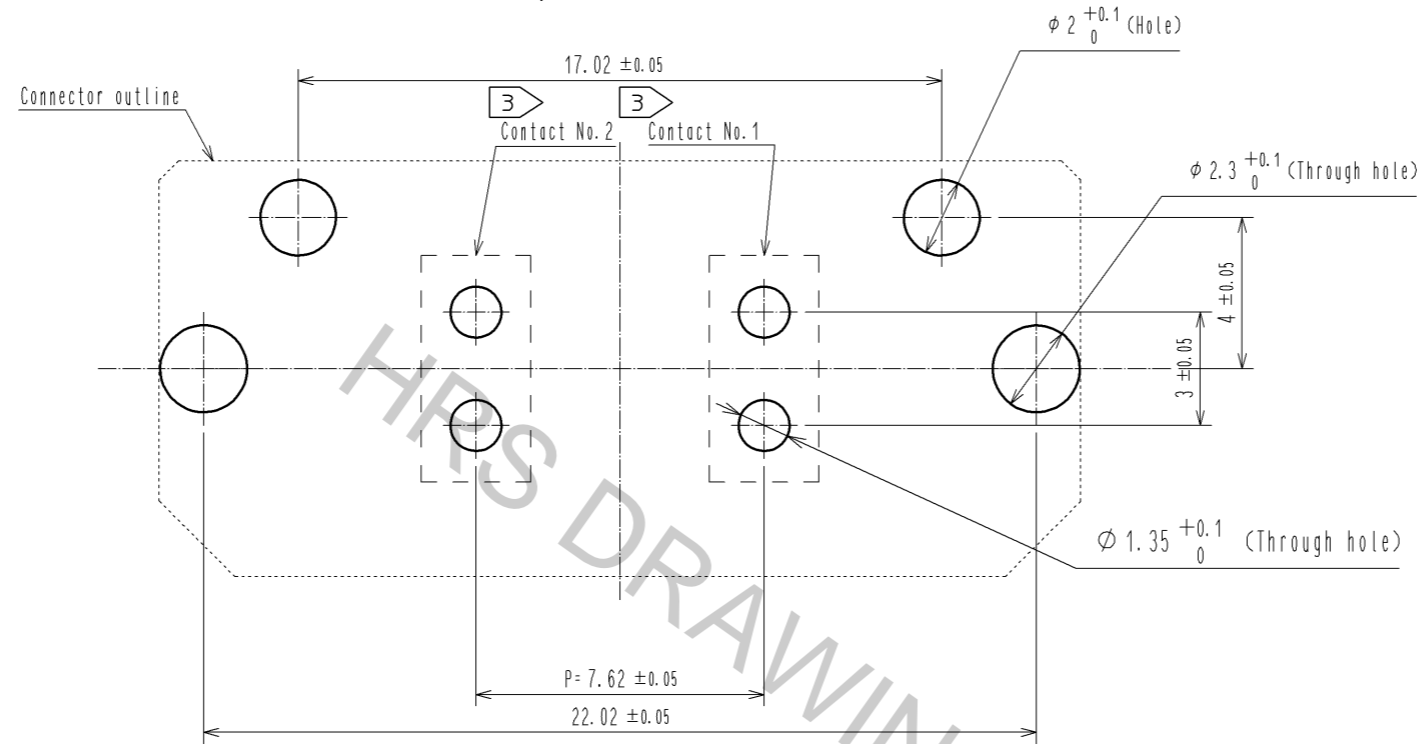


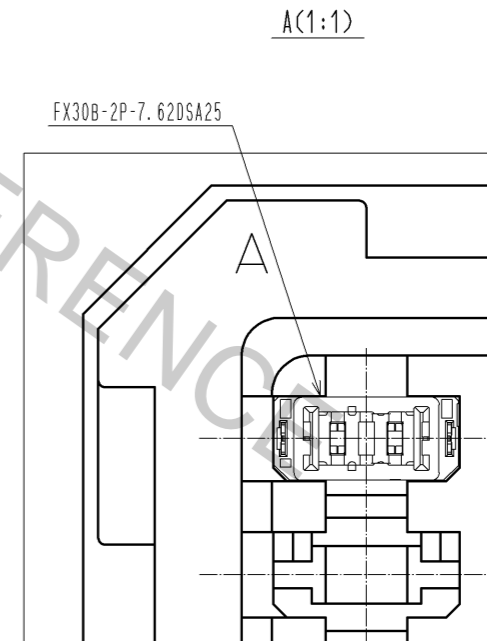
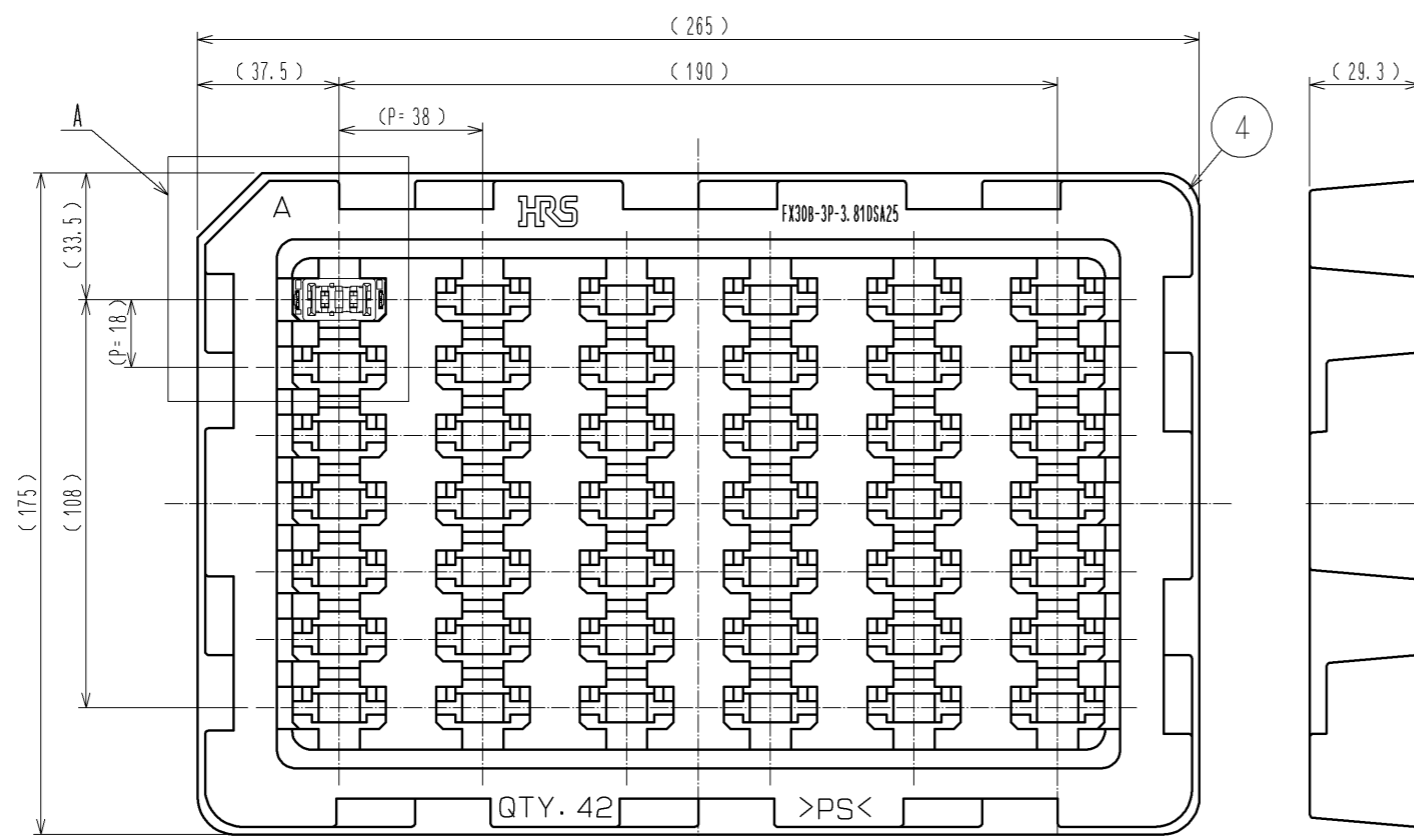
- NOTE
- 1 This product is packaged in tray. (42pcs/tray)
 - 2 Blemish and hit mark can be occurred through out the manufacturing process which doesn't affect quality level. Also, black spot could be observed on the surface of housing.
 - 3 For the contact NO., adjacent two pairs of leads placed back-to-back (4 leads in total) Compose one line.
 - 4 Misalignment absorbing range: $\pm 0.3 \text{ mm}$ max.
 - 5 The dimension in parentheses are for references.
 - 6 Lot NO. is indicated at either one of the position as shown.

2	Copper alloy	Contact area:Gold-plating $0.1 \mu\text{m}$	4	Polystyrene	
		Lead area:Tin-plating $1.0 \mu\text{m}$			
		Under plating:Nickel $1.0 \mu\text{m}$	3	Phosphor bronze	Tin-plating $3.0 \mu\text{m}$
1	Polyamide	Black UL94V-0			Under plating:Nickel $1.0 \mu\text{m}$
NO.	MATERIAL	FINISH . REMARKS	NO.	MATERIAL	FINISH . REMARKS
UNITS mm		SCALE 2 : 1	COUNT \triangle	DESCRIPTION OF REVISIONS	
				DESIGNED	CHECKED
APPROVED : HS. OKAWA			14.09.12	DRAWING NO. EDC3-359158-00	
CHECED : KN. SHIBUYA			14.09.12	PART NO. FX30B-2P-7.62DSA25	
DESIGNED : DK. AIMOTO			14.09.12	CODE NO. CL570-3205-1-00	
DRAWN : DK. AIMOTO			14.09.12		
HRS HIROSE ELECTRIC CO., LTD.					\triangle 1/2

Recommended hole pattern dimension of PCB(5:1)
 (Connector mounting side, PCB thickness:t=1.6mm)



1 Drawing for packaging(1:2)



HRS	DRAWING NO.	EDC3-359158-00		2/2
	PART NO.	FX30B-2P-7.62DSA25		
	CODE NO.	CL570-3205-1-00		