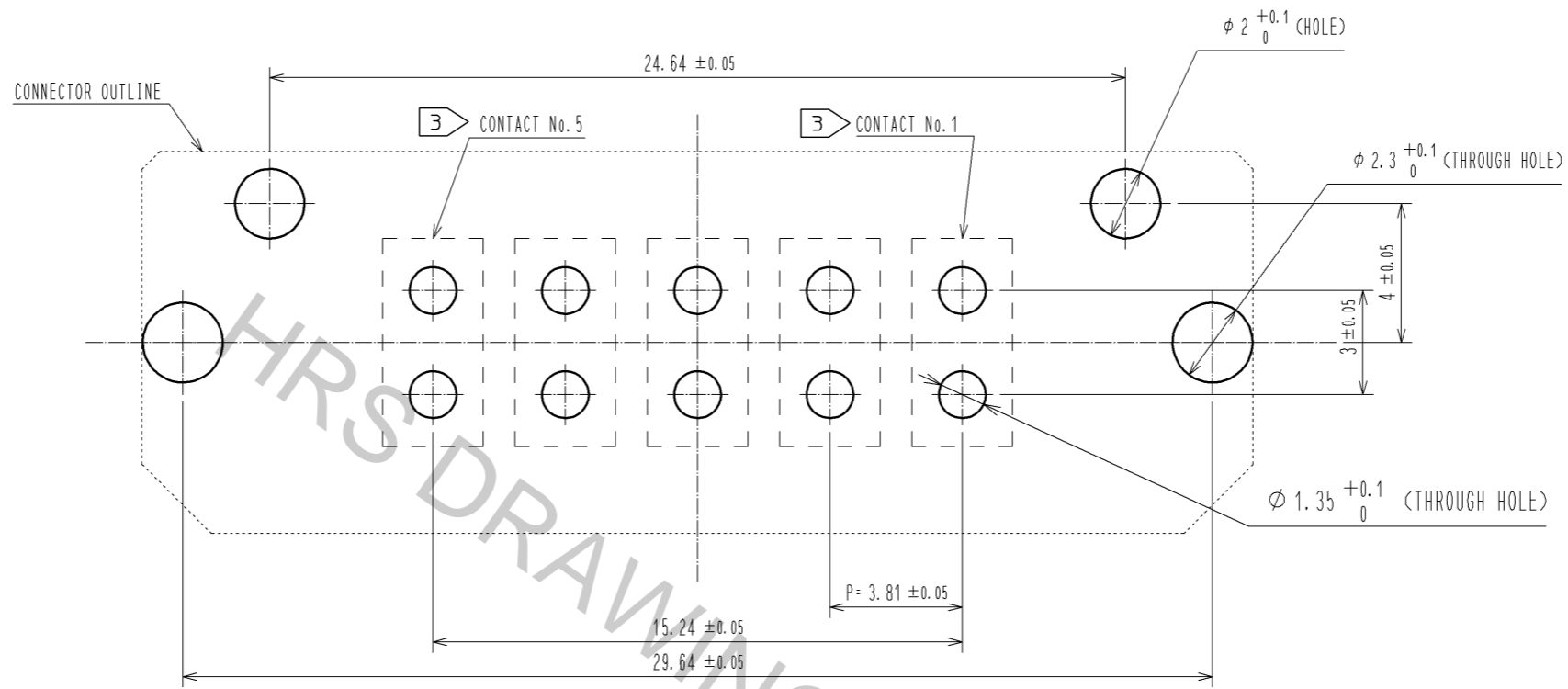


- NOTE
- THIS PRODUCT IS PACKAGED IN TRAY. (35pcs/TRAY)
 - BLEMISH AND HIT MARK CAN BE OCCURED THROUGH OUT THE MANUFACTURING PROCESS WHICH DOESN'T AFFECT QUALITY LEVEL. ALSO, BLACK SPOT COULD BE OBSERVED ON THE SURFACE OF HOUSING.
 - FOR THE CONTACT NO., ADJACENT TWO PAIRS OF LEADS PLACED BACK-TO-BACK (4 LEADS IN TOTAL) COMPOSE ONE LINE.
 - MISALIGNMENT ABSORBING RANGE: ± 0.3mm max.
 - THE DIMENSION IN PARENTHESES ARE FOR REFERENCES.
 - LOT NO. IS INDICATED AT EITHER ONE OF THE POSITION AS SHOWN.

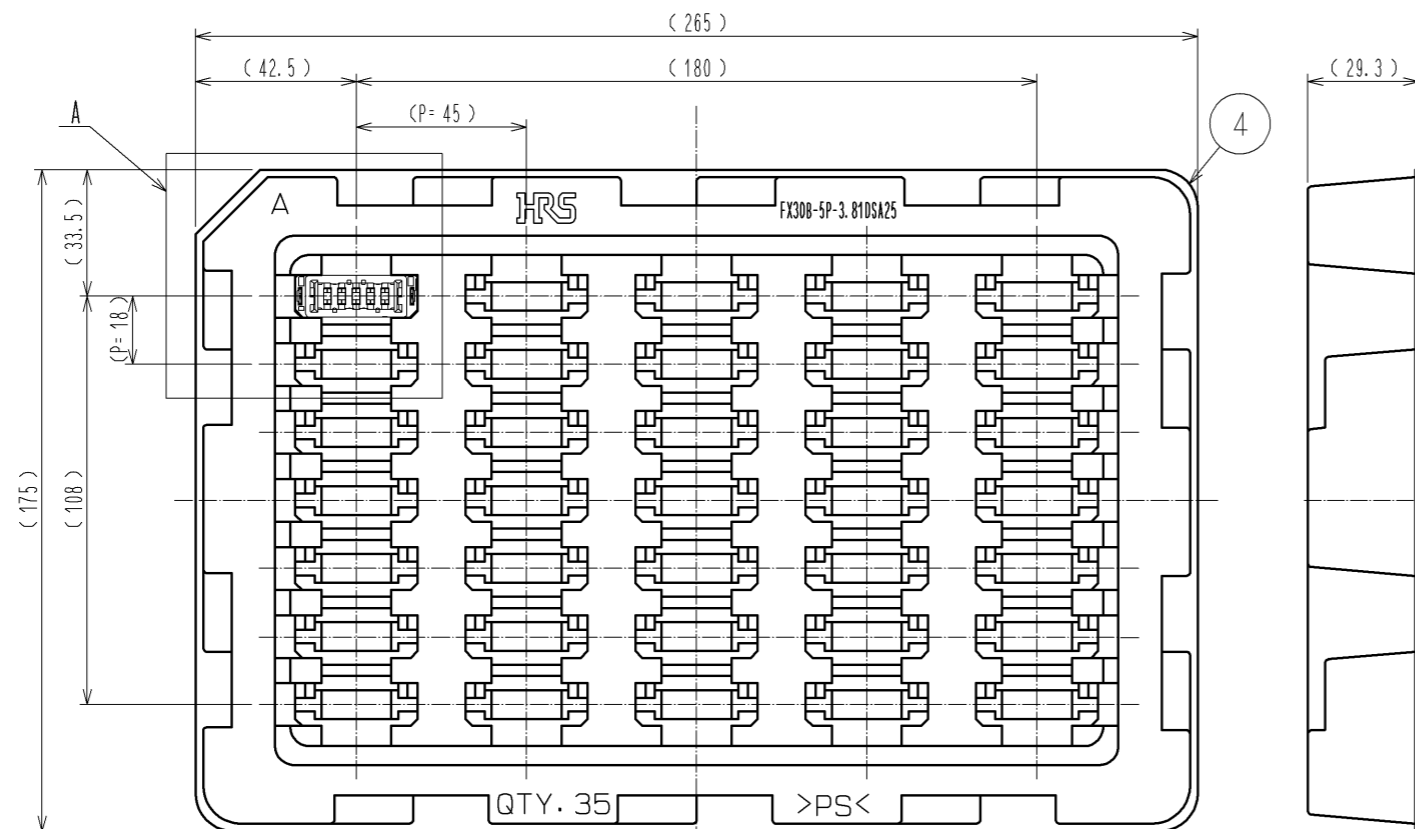
2	COPPER ALLOY	CONTACT AREA:GOLD-PLATING 0.1 μm	4	POLYSTYRENE			
		LEAD AREA:TIN-PLATING 1.0 μm					
		UNDER PLATING:NICKEL 1.0 μm	3	PHOSPHOR BRONZE	TIN-PLATING 3.0 μm		
1	POLYAMIDE	BLACK UL94V-0			UNDER PLATING:NICKEL 1.0 μm		
NO.	MATERIAL	FINISH . REMARKS	NO.	MATERIAL	FINISH . REMARKS		
UNITS mm		SCALE 2 : 1	COUNT △	DESCRIPTION OF REVISIONS	DESIGNED	CHECKED	DATE
HRS HIROSE ELECTRIC CO., LTD.		APPROVED : HS. OKAWA	13. 03. 13	DRAWING NO.	EDC3-347262-00		
		CHECED : KI. HIROKAWA	13. 03. 12	PART NO.	FX30B-5P-3. 81DSA25		
		DESIGNED : DK. AIMOTO	13. 03. 11	CODE NO.	CL570-3203-6-00		
		DRAWN : DK. AIMOTO	13. 03. 11		△ 1/2		

Oct.1.2018 Copyright 2018 HIROSE ELECTRIC CO., LTD. All Rights Reserved.
 In case that the application demands a high level of reliability, such as automotive,
 please contact a company representative for further information.

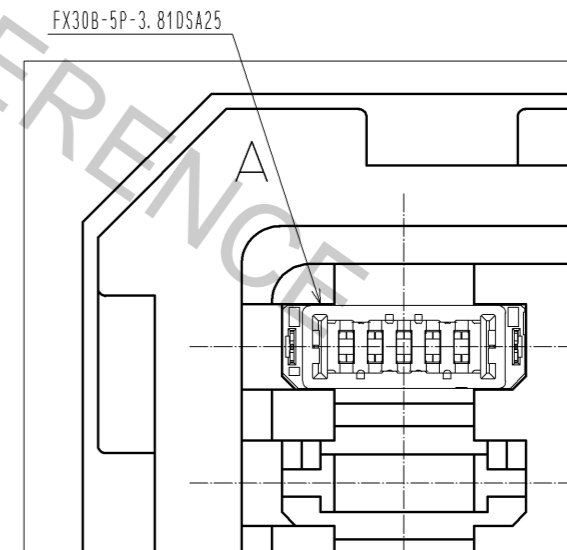
RECOMMENDED HOLE PATTERN DIMENSION OF PCB(5:1)
 (CONNECTOR MOUNTING SIDE, PCB THICKNESS: t=1.6mm)



1 DRAWING FOR PACKAGING(1:2)



A(1:1)



HRS	DRAWING NO.	EDC3-347262-00	
	PART NO.	FX30B-5P-3.81DSA25	
	CODE NO.	CL570-3203-6-00	